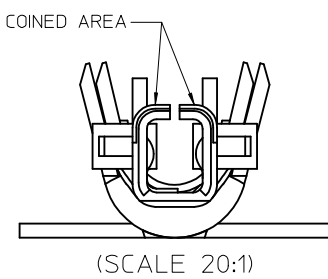
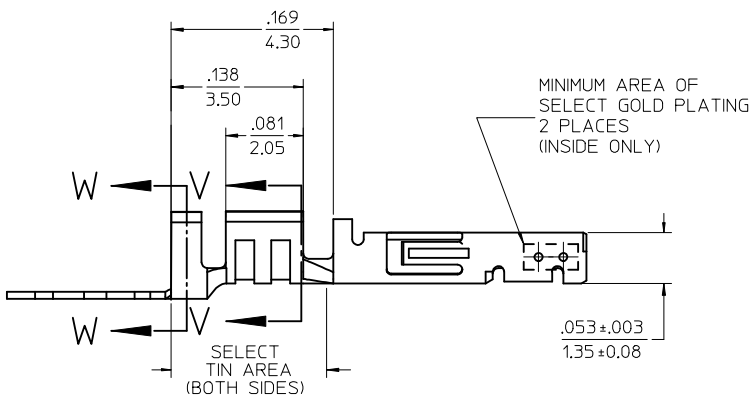
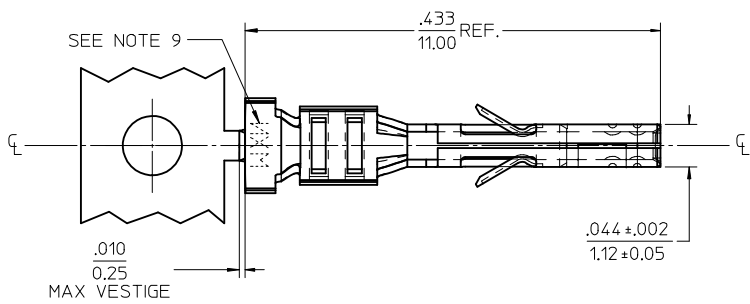
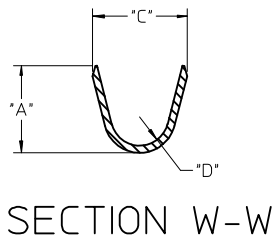
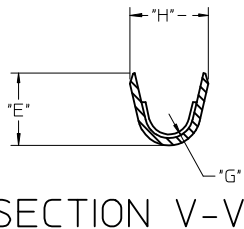


13	12	11	10	9	8	7	6	5	4	3	2	1
WIRE SIZE	MAX INSULATION	"A" ±.012 ±0.30	"C" ±.012 ±0.30	"D" ±.005 ±0.13	"E" ±.012 ±0.30	"G" ±.005 ±0.13	"H" ±.012 ±0.30					
20-24	.073/1.85	.090/2.29	.100/2.54	.030/0.76	.075/1.91	.025/0.64	.082/2.08					
26-30	.050/1.27	.075/1.91	.083/2.10	.025/0.64	.058/1.47	.020/0.51	.065/1.65					

MATERIAL NUMBER	PLATING	WIRE SIZE	FORM
43030-0051	A	20-24	CHAIN
43030-0052	B	20-24	CHAIN
43030-0053	C	20-24	CHAIN
43030-0056	C	26-30	CHAIN
43030-0059	C	20-24	LOOSE



- NOTES
- 1) MATERIAL: PHOSPHOR BRONZE ALLOY
 - 2) TERMINAL PLATING:
 - *A* - HOT TIN DIP: .000040/0.00102 MIN.
 - *B* - .000015/0.00038 MIN. SELECT GOLD
.000100/0.00254 MIN. SELET TIN
ALL OVER .000050/0.00127 MIN. NICKEL OVERALL.
 - *C* - .000030/0.00076 MIN. SELECT GOLD
.000100/0.00254 MIN. SELECT TIN
ALL OVER .000050/0.00127 MIN. NICKEL OVERALL.
 - 3) PRODUCT SPECIFICATION: PS-43045, PS-43650, PS-44300-001.
 - 4) PACKAGING SPECIFICATION: PK-43030-002 (REEL), PK-43030-003 (LOOSE).
 - 5) TERMINAL FOR USE IN A MICRO FIT RECEPTACLE #43025-****, 43645-****, or 44133-****.
 - 6) FOR TERMINAL ORIENTATION IN RECEPTACLE SEE DRAWING #SDA-43025 OR SDA-43645.
 - 7) THIS TERMINAL IS DESIGNED IN METRIC.
 - 8) MOLEX RECOMMENDS THE USE OF MICRO-FIT TEST PLUG (SERIES 44242) WHENEVER CONTINUITY TESTING IS PERFORMED. TEST PLUGS MUST NOT BE USED TO MAKE OR BREAK UNDER LOAD. MOLEX DOES NOT RECOMMEND USING STANDARD MATING COMPONENTS (SERIES 43020, 43045, 43640, 43650, OR 43031) FOR HARNESS TESTING PURPOSES.
 - 9) MARKING MAY VARY ON PARTS. CONSULT FACTORY.

ADD NOTE 9 EC NO: UCP2015-1397 DRWN: DFOX 2014/10/02 CHKD: SSOUSEK 2014/10/02 APPR: FSMITH 2015/07/01	QUALITY SYMBOLS	GENERAL TOLERANCES (UNLESS SPECIFIED)	DIMENSION STYLE	SCALE	DESIGN UNITS	THIRD ANGLE PROJECTION
	▽=0	mm INCH	IN/MM	10:1	METRIC	⊙
	▽=0	4 PLACES ± --- ± ---	DRAWN BY DATE	TITLE		
	▽=0	3 PLACES ± --- ± .010	RHOLTS 2004/07/21	MICRO-FIT (3.0) FEMALE CRIMP TERMINAL, LEAD FREE		
▽=0	2 PLACES ± 0.25 ± .014	CHECKED BY DATE	molex			
	1 PLACE ± 0.35 ± ---	LSCHMIDT 2004/07/21	DOCUMENT NO.			
	0 PLACE ± ±	APPROVED BY DATE	SD-43030-002			
		FSMITH 2004/07/21	SHEET NO.			
			1 OF 1			
			THIS DRAWING CONTAINS INFORMATION THAT IS PROPRIETARY TO MOLEX INCORPORATED AND SHOULD NOT BE USED WITHOUT WRITTEN PERMISSION			