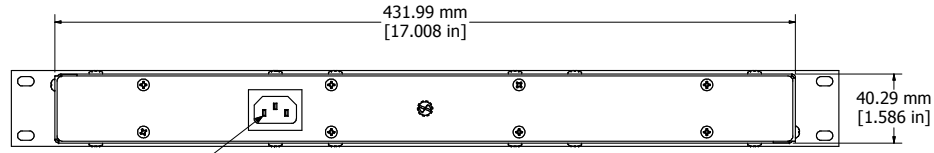
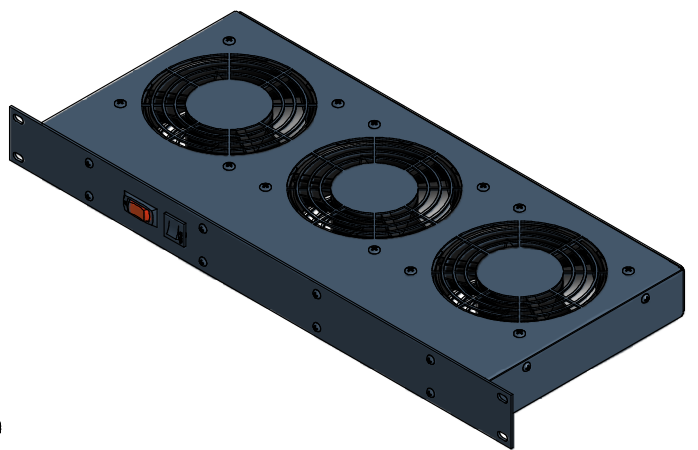


8 | 7 | 6 | 5 | 4 | 3 | 2 | 1

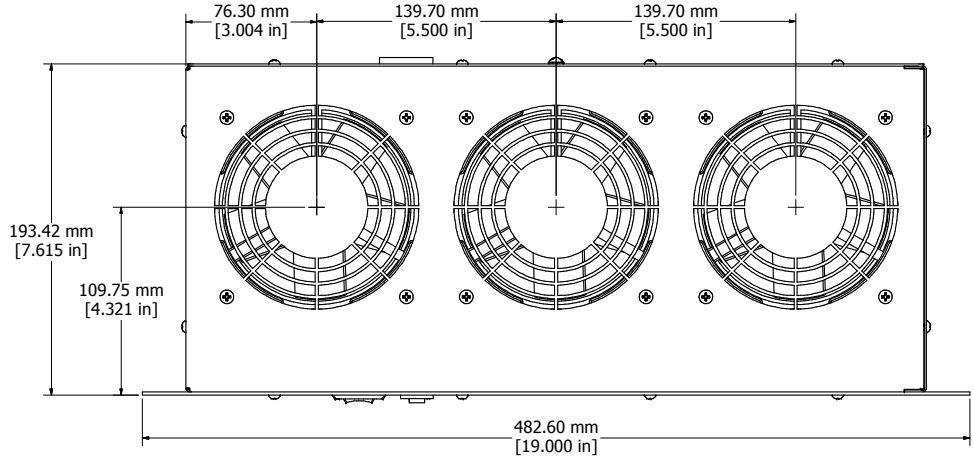


10A, 230V IEC 320 - C14
INLET RECEPTACLE

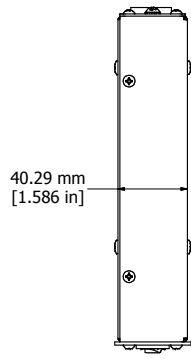
ASSEMBLY - VIEW FROM BACK



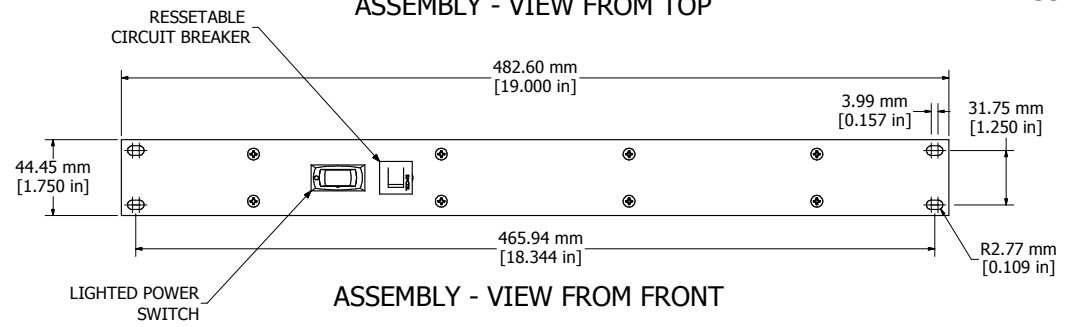
ISOMETRIC VIEW



ASSEMBLY - VIEW FROM TOP



ASSEMBLY - VIEW FROM SIDE



ASSEMBLY - VIEW FROM FRONT

FT300HA1220BK
Finish - Black Textured Powder Paint
Rated - 230 VAC, 50/60 Hz, 3 Amps
Free Flow Air Delivery - 300 CFM

**HAMMOND
MANUFACTURING™**
FT300HA1220BK
www.hammondmfg.com

8 | 7 | 6 | 5 | 4 | 3 | 2 | 1