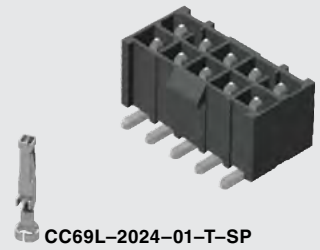


IPBD-02-D-K

IPBD-05-S-K

IPBT-105-H2-T-D-K



CC69L-2024-01-T-SP

(4.19 mm) .165"

IPBD, CC69L, CC69R, IPBT SERIES

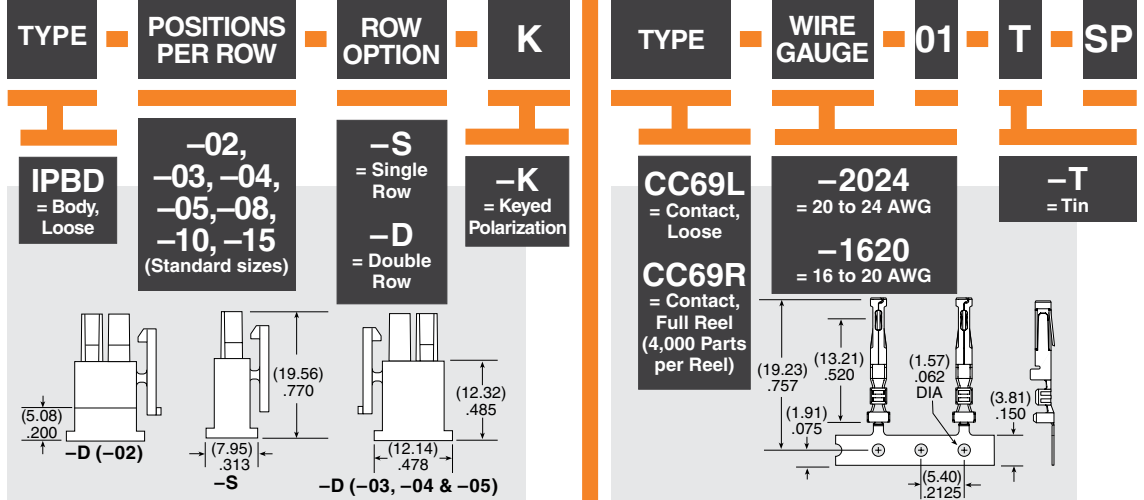
DISCRETE WIRE CABLE COMPONENTS

SPECIFICATIONS

For complete specifications
www.samtec.com?IPBD,
www.samtec.com?CC69L or
www.samtec.com?CC69R

TOOLING

- Hand tool (16-20 AWG):
CAT-HT-169-1620-13
- Hand tool (20-24 AWG):
CAT-HT-169-2024-13
- Mini Applicator
(16-20 AWG):
CAT-MA-169-1620-XX-01
- Mini Applicator
(20-24 AWG):
CAT-MA-169-2024 XX-01
- Extraction Tool:
CAT-EX-169-01



Board Mates:

IPBS, IPBD

Cable Mates:

PMSD, PMSS

SPECIFICATIONS

For complete specifications
see www.samtec.com?IPBT

Insulator Material:

Black Liquid Crystal
Polymer

Contact Material:

High Copper Alloy

Plating:

Sn over 50 μ" (1.27 μm) Ni

Operating Temp Range:

-55 °C to +105 °C

Voltage Rating:

400 VAC/565 VDC

RoHS Compliant:

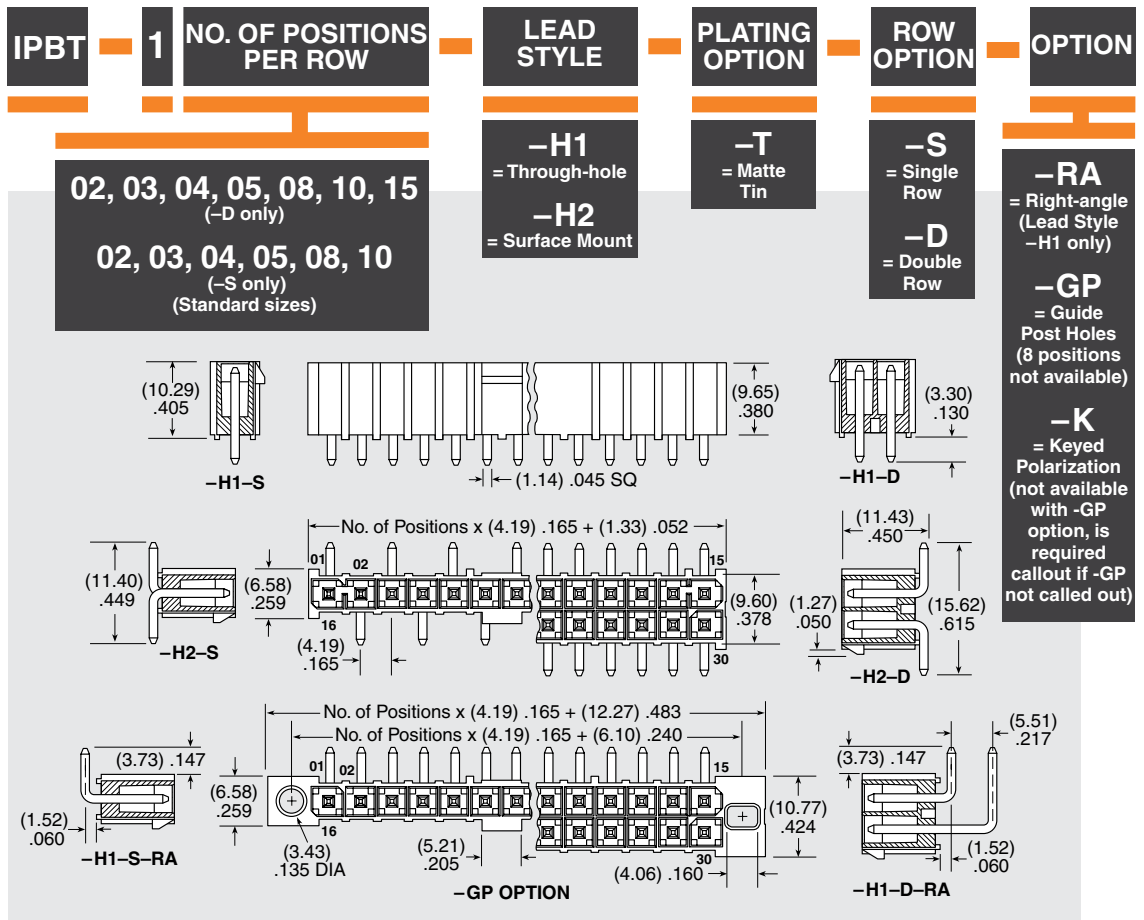
Yes

Lead-Free Solderable:

Yes

RECOGNITIONS

For complete scope of
recognitions see
www.samtec.com/quality



Note: Some lengths, styles
and options are non-standard,
non-returnable.