

NOTES: UNLESS OTHERWISE SPECIFIED.

1. MATERIALS & FINISH:

- 1.1 HOUSING: PASSIVATED STAINLESS STEEL
- 1.2 CENTER CONTACT: GOLD PLATED BERYLLIUM COPPER
- 1.3 DIELECTRIC: PTFE (TEFLON)

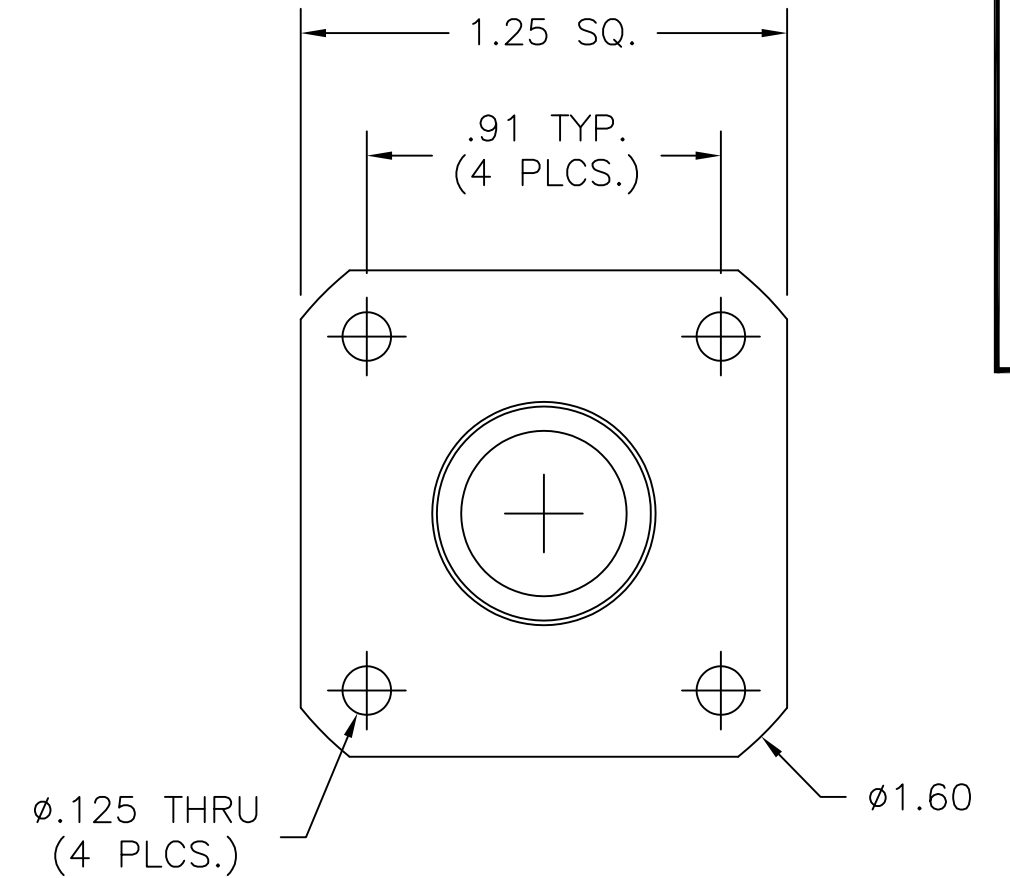
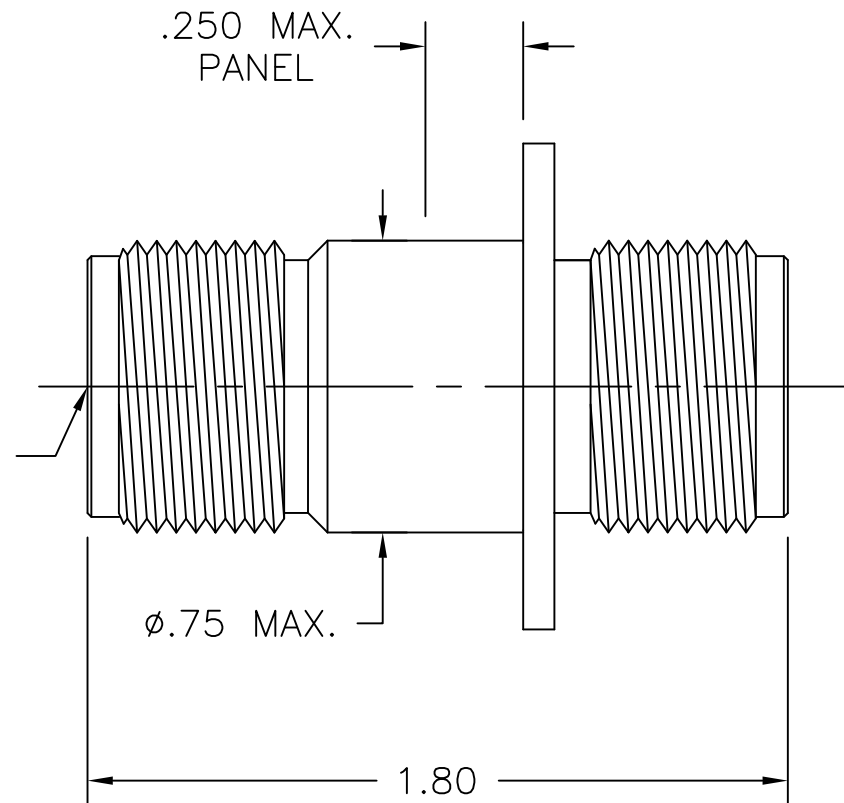
2. MECHANICAL:

- 2.1 CENTER CONTACT CAPTURED IN ACCORDANCE WITH MIL-PRF-39012.

3. ELECTRICAL SPECIFICATIONS:


- 3.1 FREQUENCY RANGE: DC TO 8 GHz
- 3.2 VSWR (MAX):
 - DC TO 4 GHz: 1.08:1
 - 4 TO 8 GHz: 1.20:1
- 3.3 IMPEDANCE: 50 OHMS NOMINAL

HN JACK PER
MIL-STD-348
FIG. 317-2
(BOTH ENDS)



MODEL NUMBER
ADT-2822-FF-HN0-02

REV.	A	DATE	9/28/2015
DESCRIPTION	ECO 25446		

This PROPRIETARY Document is property of Cinch Connectivity Solutions. It is confidential in nature, non-transferable, and issued with the clear understanding that it is not traced or copied without permission and is returnable upon demand. INTERPRET DRAWING ACCORDANCE WITH ASME Y14.5-2009.		CAGE CODE 34078		MIDWEST MICROWAVE	
UNLESS OTHERWISE NOTED DIMENSIONS ARE IN INCHES AND TOLERANCES ARE: 3 PLACE DECIMALS ±.005 2 PLACE DECIMALS ±.02 FRACTIONS ±1/64 PARALLELITY: T.I.R. _____ FLATNESS: T.I.R. _____ CONCENTRICITY: T.I.R. _____ ANGLES AND PERPENDICULARITY: ±1°				TITLE ADAPTER HN JACK TO HN JACK FLANGE MOUNT	
DRAWN/DATE S. ORLOV 5/7/08		ENG./DATE J. O'NEIL 5/7/08		DRAWING NUMBER ADT-2822-FF-HN0-02-01	
CHECKED/DATE J. KEREKES 9/28/15		APPROVED/DATE J. KEREKES 9/28/15		REV. A	
SCALE: 2=1				SHEET 1 of 1	