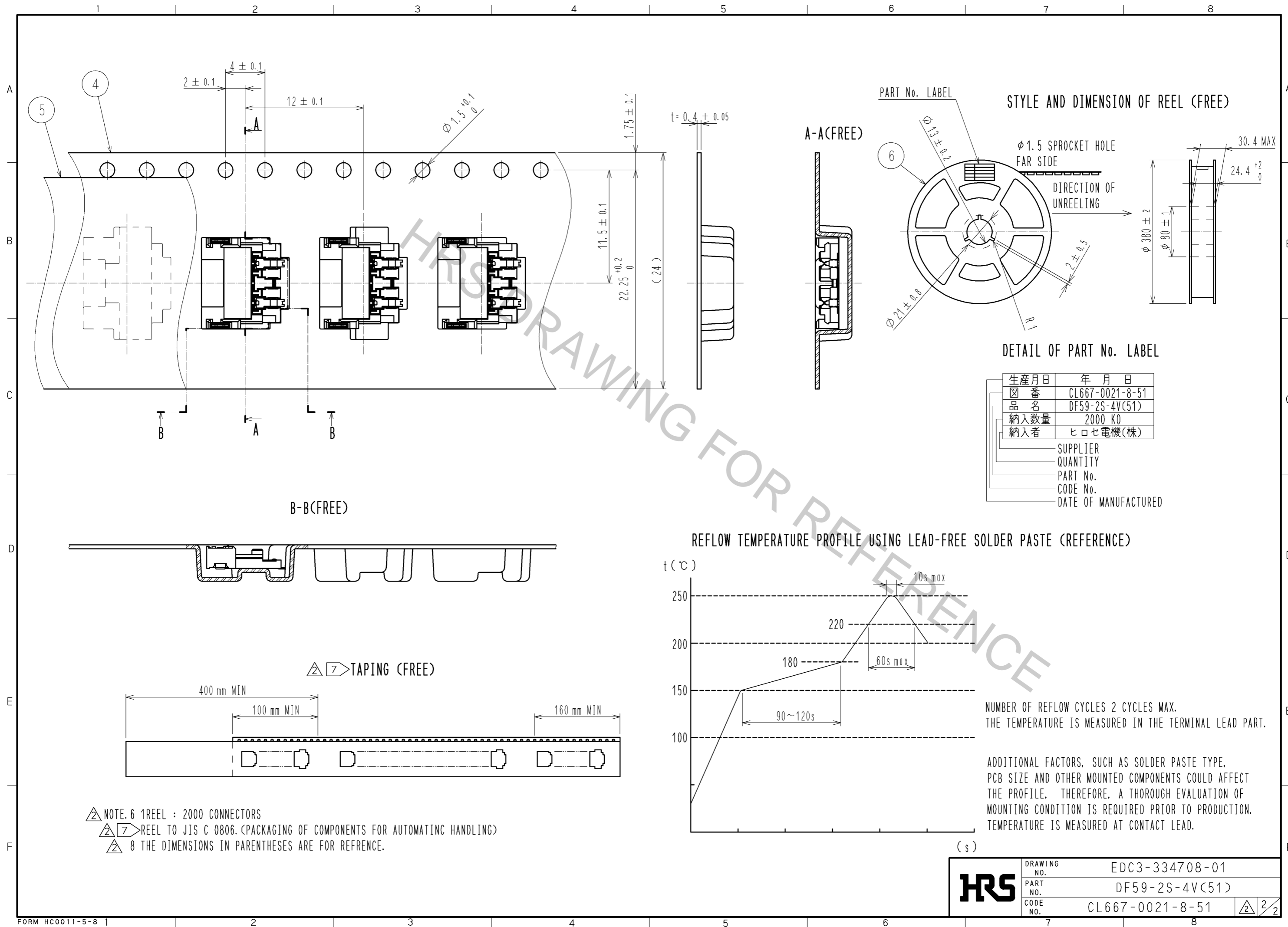


- NOTE1. LEAD CO-PLANARITY SHALL BE 0.1mm MAX.
 2. () IS REFERENCE DIMENSION.
 ③ MATING DF59-3P-2C, DF59-3P-2SP ARE APPLIED.
 4. REFER TO THE DF59 SERIES MATING/UNMATING OPERATION INSTRUCTION MANUAL(ETAD-H0496) FOR THE OPERATING OF THE PRODUCT.
 △ 5. UL(ファイルNo. E52653)認定品.
 C-UL(ファイルNo. E52653)認定品.

| NO. | MATERIAL | FINISH | REMARKS | NO. | MATERIAL | FINISH | REMARKS |
|-----|-----------------|--------|--|-----|-----------------|--------|---|
| 2 | PHOSPHOR BRONZE | | CONTACT AREA : GOLD PLATING 0.2μm MIN LEAD AREA : TIN PLATING 1μm MIN UNDER PLATING : NICKEL PLATING 0.5μm MIN | 6 | PS | | REEL , BLACK |
| 1 | LCP | | UL94V-0,BEIGE | 5 | POLYESTER | | CLEAR(COVER TAPE) |
| | | | | 4 | PS | | CLEAR(EMBOSSSED CARRIER TAPE) |
| | | | | 3 | PHOSPHOR BRONZE | | SURFACE : TIN PLATING 1μm MIN UNDER PLATING : NICKEL PLATING 0.5μm MIN |

| UNITS | SCALE | COUNT | DESCRIPTION OF REVISIONS | DESIGNED | CHECKED | DATE |
|-------|-------|-------|--------------------------|----------|-------------|----------|
| mm | 5 : 1 | 5 | DIS-H-006791 | ST. SATO | HK. UMEHARA | 12.04.13 |

| APPROVED | DATE | DRAWING NO. |
|--------------|----------|-----------------|
| KI. AKIYAMA | 10.10.18 | EDC3-334708-01 |
| CHECKED | DATE | PART NO. |
| OM. MIYAMOTO | 10.10.18 | DF59-2S-4V(51) |
| DESIGNED | DATE | CODE NO. |
| KT. ISHII | 10.10.18 | CL667-0021-8-51 |
| DRAWN | DATE | |
| KT. ISHII | 10.10.18 | |



| | | |
|------------|-------------|-----------------|
| HRS | DRAWING NO. | EDC3-334708-01 |
| | PART NO. | DF59-2S-4V(51) |
| | CODE NO. | CL667-0021-8-51 |
| | | 2/2 |