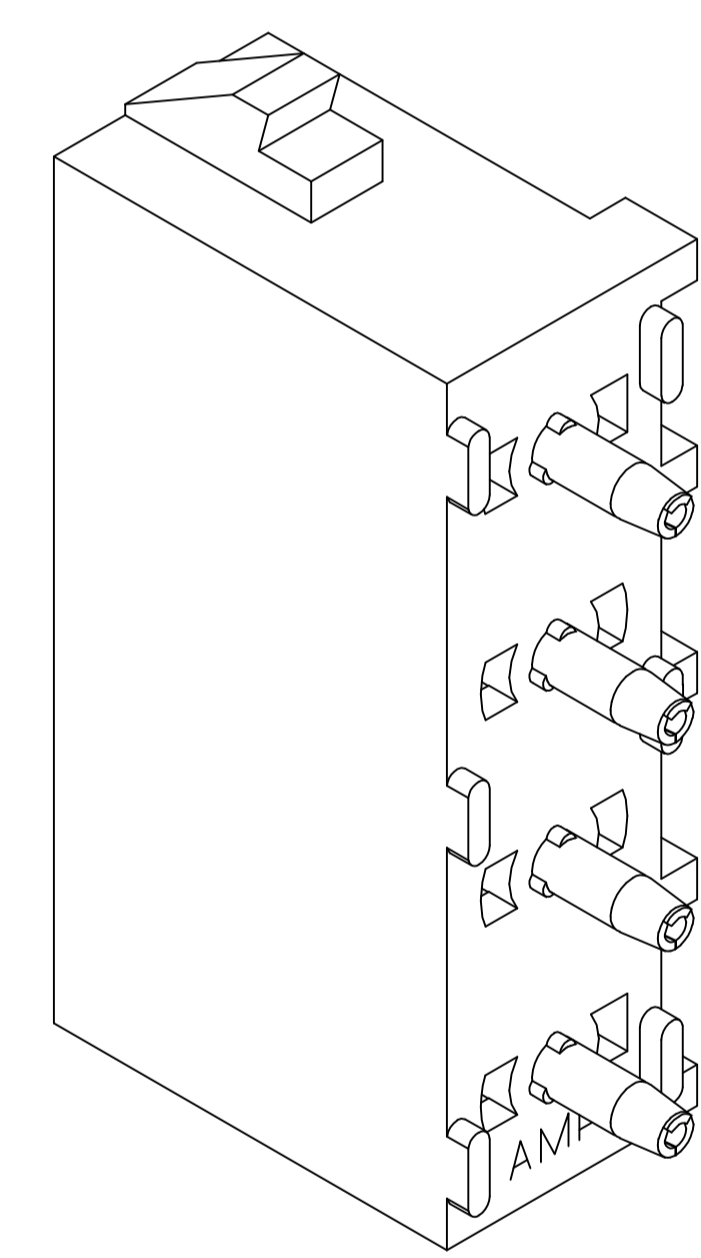
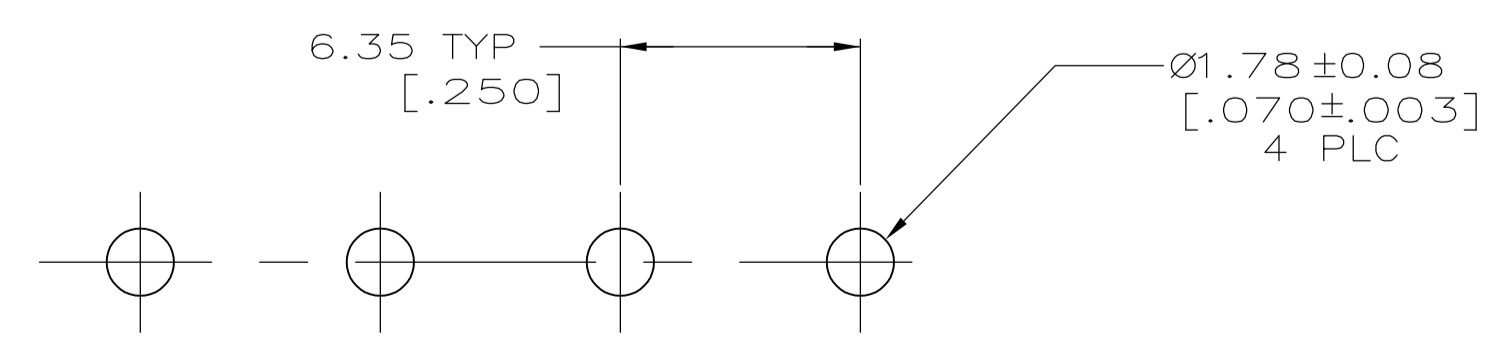
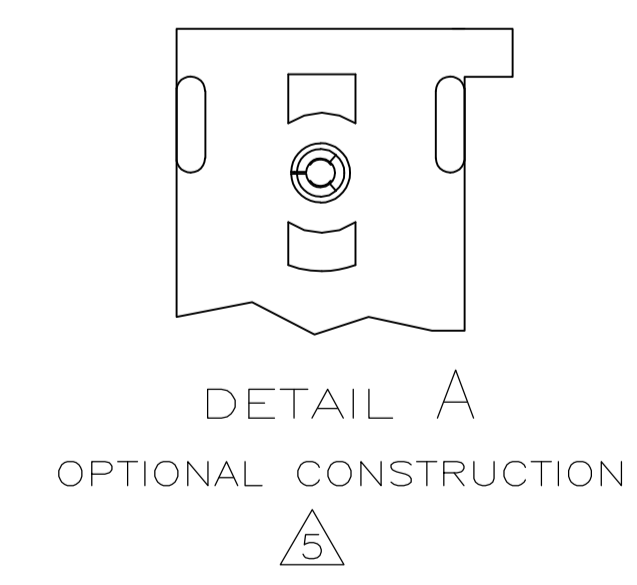
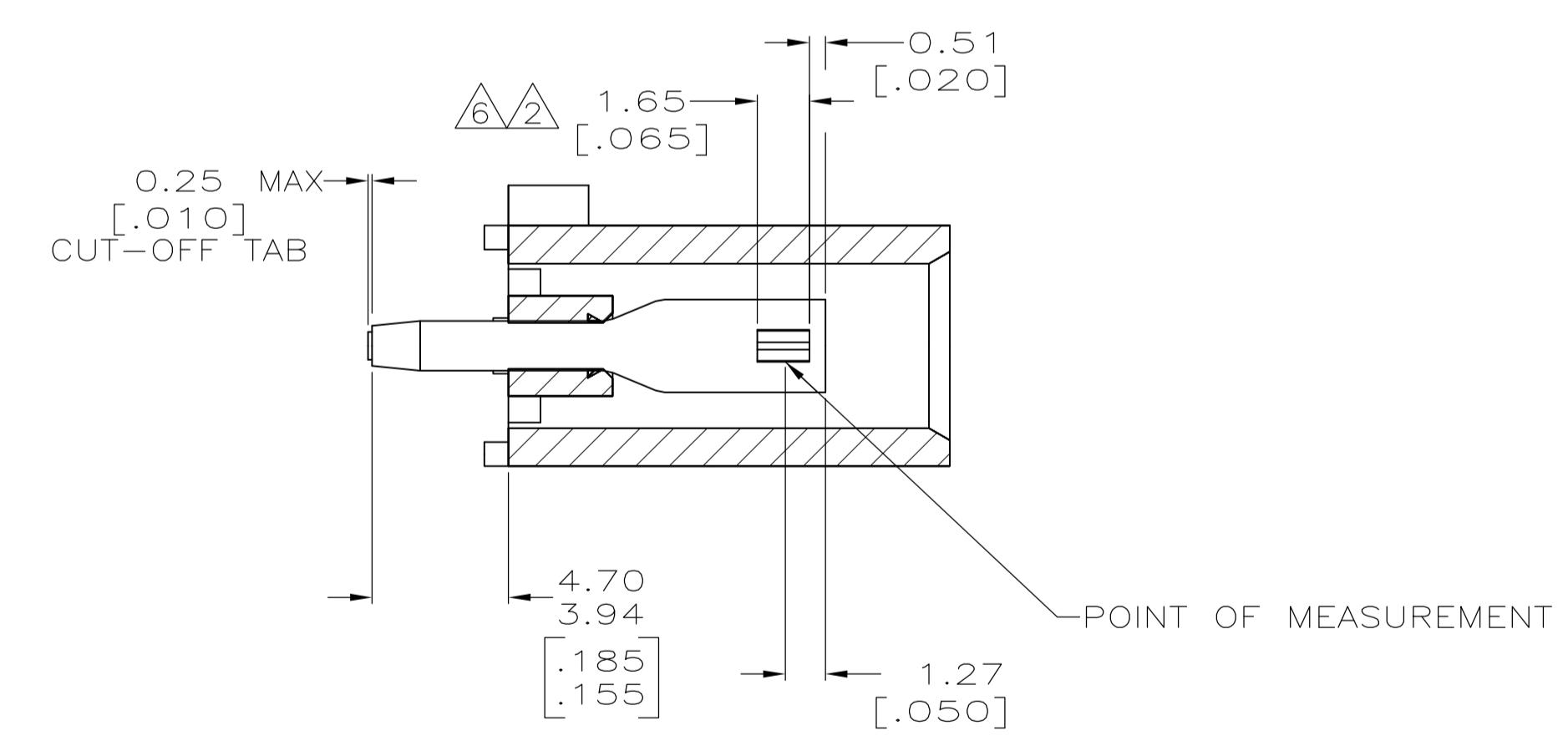
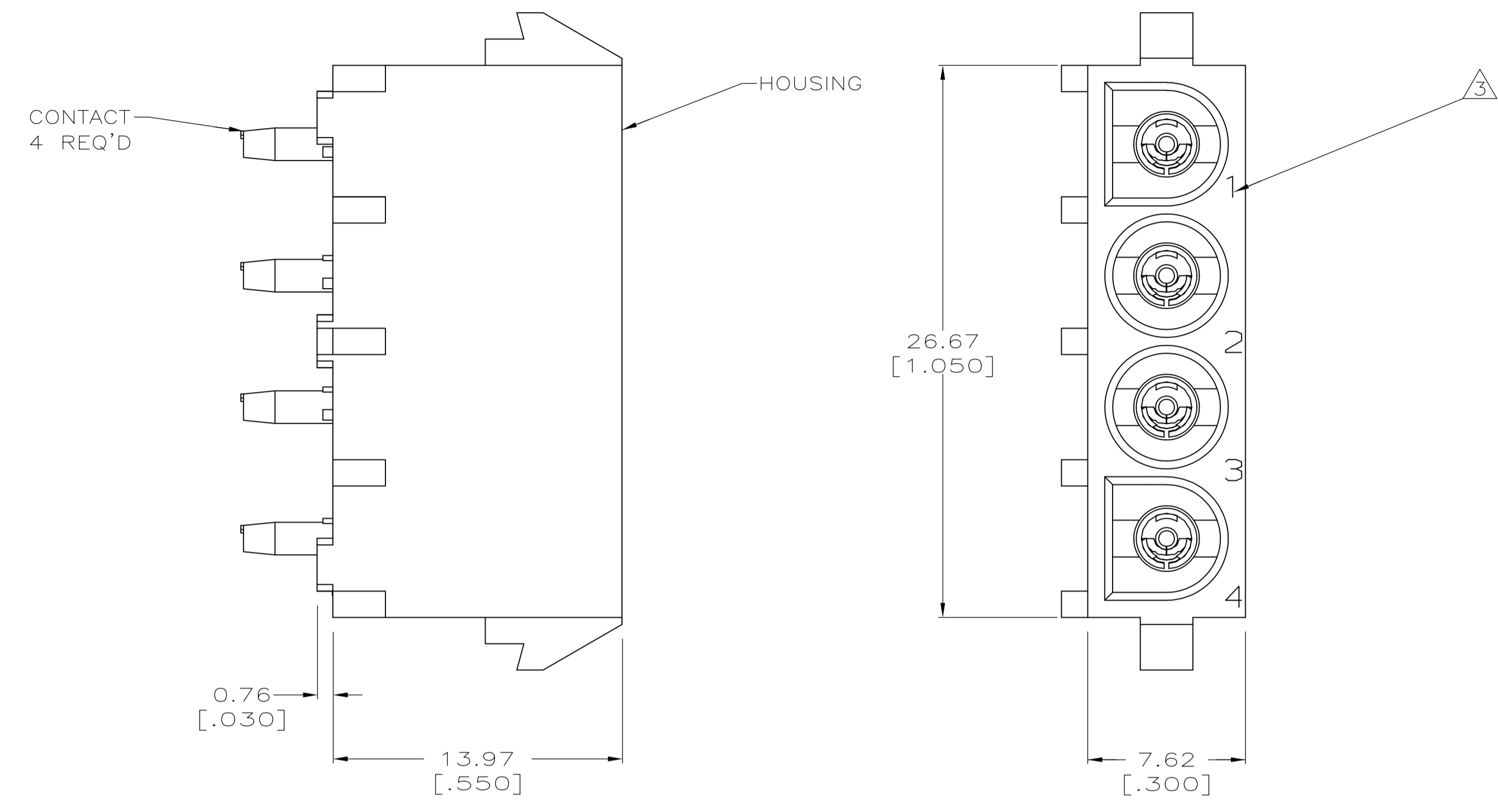
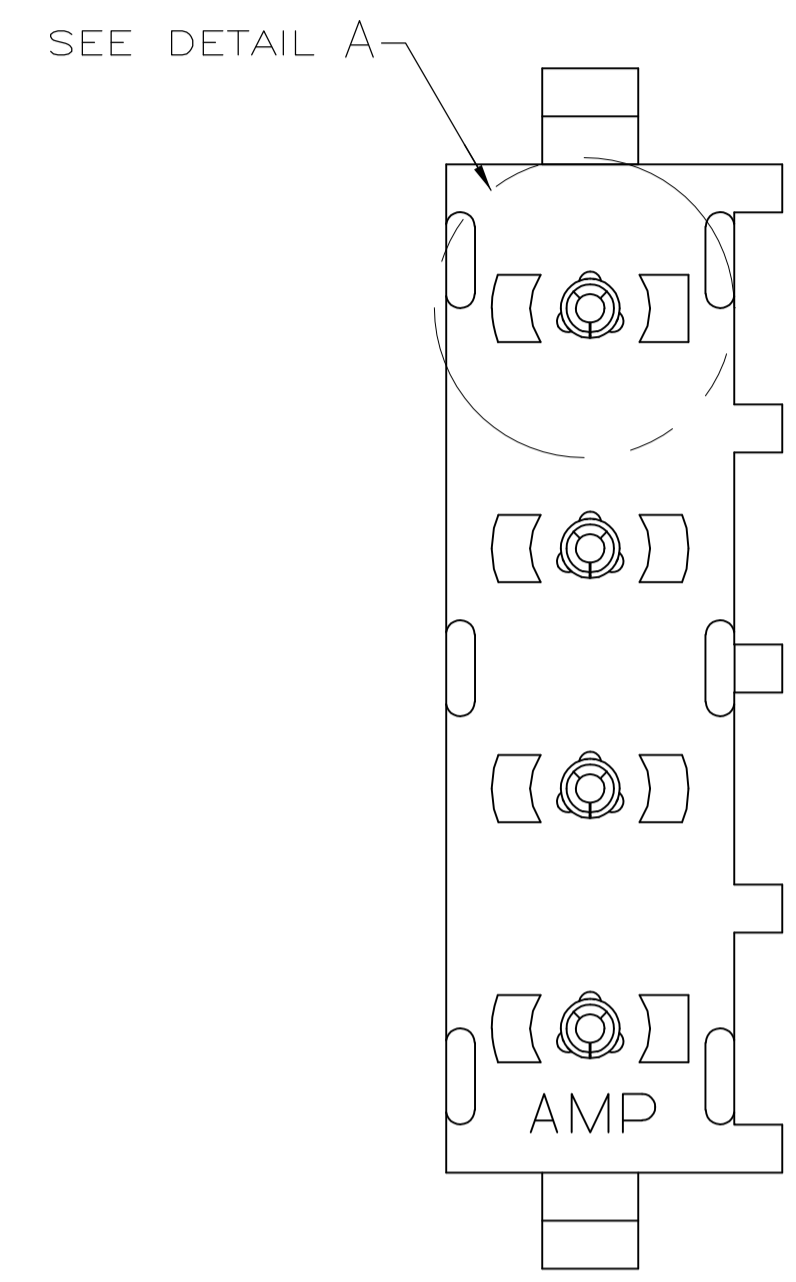


LOC		DIST		REVISIONS			
CM	00	REV	DATE	BY	CHK	APPV	
N2	REVISED PER ECR-12-011660	23JAN13	KH	TM			

- 1 PARTS COMPLY TO AMP SOLDERABILITY SPECIFICATION 109-11-3.
- 2 CONTACT IS PLATED OVERALL WITH 0.00127 [.000050] NICKEL, THEN 0.00076 [.000030] GOLD OVER CONTACT LENGTH INDICATED AND MATTE TIN LEAD ON SOLDER TAIL END.
- 3 CIRCUIT IDENTIFICATION CHARACTERS ARE ADJACENT TO THE INDICATED CAVITIES, BUT LOCATION AND ORIENTATION MAY DIFFER FROM PRINT.
- 4 DIMENSIONS IN BRACKETS ARE IN INCHES.
- 5 DRAIN HOLES LOCATED AS SHOWN. OPTIONAL CONSTRUCTION - ALL DRAIN HOLES LOCATED 90° AS SHOWN IN DETAIL A.
- 6 CONTACT IS PLATED OVERALL WITH 0.00127 [.000050] NICKEL, THEN 0.00076 [.000030] GOLD OVER CONTACT LENGTH INDICATED AND MATTE TIN ON SOLDER TAIL END.
- 7 SUPERSEDED BY 350761-5



CONTACT MATERIAL AND FINISH	HOUSING MATERIAL	PART NUMBER
PHOSPHOR BRONZE, GOLD 6	NYLON,UL94V-2,NATURAL	350761-5
PHOSPHOR BRONZE, PRE-TIN	NYLON,UL94V-2,NATURAL	350761-4
PHOSPHOR BRONZE, GOLD 2	NYLON,UL94V-2,NATURAL	350761-3

THIS DRAWING IS A CONTROLLED DOCUMENT.		DIN R LEWIS 10-02-98	TE Connectivity	
DIMENSIONS: mm [INCHES]		CHK R SWING 10-02-98		
TOLERANCES UNLESS OTHERWISE SPECIFIED:		APPV M TRULL 10-02-98	NAME	
0 PLC ± -		PRODUCT SPEC		SOCKET HEADER ASSEMBLY, 4 CIRCUIT UNIVERSAL MATE-N-LOK™
1 PLC ± -		APPLICATION SPEC		
2 PLC ± 0.13 [.005]		SIZE		SCALE
3 PLC ± -		WEIGHT		SHEET
4 PLC ± -		CUSTOMER DRAWING		REV
ANGLES ± # 0°30'		A1 00779 C=350761		1 OF 1