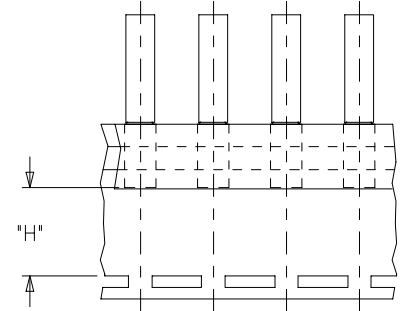
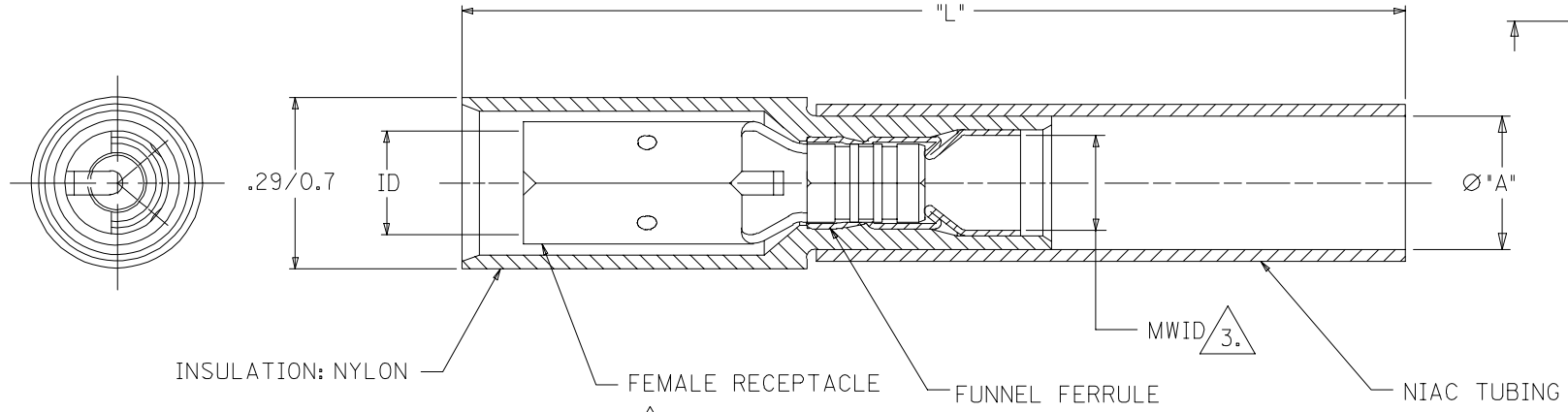


MATERIAL NUMBER	ENGINEERING NUMBER	MATERIAL NUMBER ON TAPE	ENGINEERING NUMBER ON TAPE	AWG	COLOR CODE	MWID	"ID" MIN	"L" MAX	"A" MIN	H ±.01/.3
191640052	SBRA-8156N	N/A	N/A	22-18	RED	.13/3.3	.156/3.96	1.58/40.1	.235/5.97	N/A
191640053	SBRA-8180N	N/A	N/A	22-18	RED	.13/3.3	.180/4.57	1.60/40.6	.235/5.97	N/A
191640054	SBRB-8156N	191640414	SBRB-8156NT	16-14	BLUE	.15/3.81	.156/3.96	1.60/40.6	.230/5.84	.39/9.9
191640055	SBRB-8180N	N/A	N/A	16-14	BLUE	.15/3.81	.180/4.57	1.60/40.6	.230/5.84	N/A

ⓓ



PARTS ON TAPE



- NOTES:
- 1. TERMINAL MATERIAL: COPPER PLATING: TIN
  - 2. INSULATION MATERIAL: HEAT SHRINKABLE NIAC TUBING W/ HOT-MELT ADHESIVE INNER LINER
  - 3. MWID= MAXIMUM WIRE INSULATION DIAMETER

CHANGED "A" DIM EC NO: ETC2006-0154 DRWN: ASAYDEH 2005/12/21 CHKD: JLOMASTR 2005/12/21 APPR: JPAWLICK 2005/12/21	QUALITY SYMBOLS	GENERAL TOLERANCES (UNLESS SPECIFIED)	SCALE 1:1	DESIGN UNITS INCH	THIRD ANGLE PROJECTION	REVISE ON CAD ONLY
	DESCRIPTION	mm INCH	DIMENSION STYLE IN/MM		TITLE	
	▼ = 0	4 PLACES ± --- ± ---	DRAWN BY DATE BENDERLE 2004/09/08		FULLY INSULATED AVIKRIMP PERMA-SEAL BULLET RECEPT .156/3.96-.180/4.57 DIA.	
	▽ = 0	3 PLACES ± --- ± ---	CHECKED BY DATE R DEROSS 2004/09/08		MOLEX INCORPORATED	
	2 PLACES ± .25 ± .01	APPROVED BY DATE R DEROSS 2004/09/08		MATERIAL NO. SEE CHART	DOCUMENT NO. SD-19164-035	SHEET NO. 1 OF 1
	1 PLACE ± .5 ± .02	DRAFT WHERE APPLICABLE MUST REMAIN WITHIN DIMENSIONS		THIS DRAWING CONTAINS INFORMATION THAT IS PROPRIETARY TO MOLEX INCORPORATED AND SHOULD NOT BE USED WITHOUT WRITTEN PERMISSION		
	ANGULAR ± .5 °					