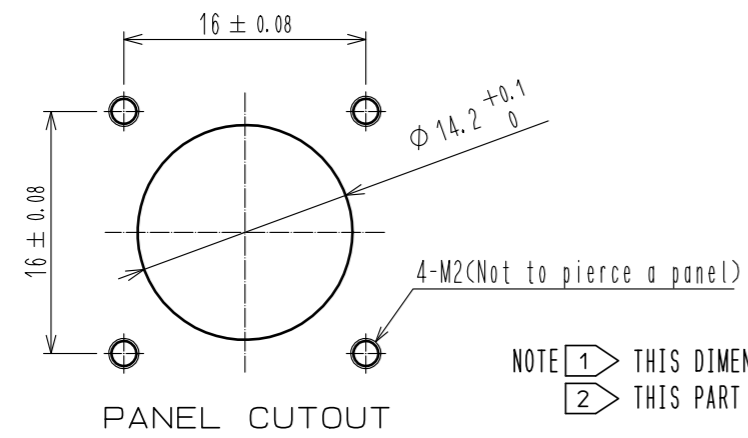
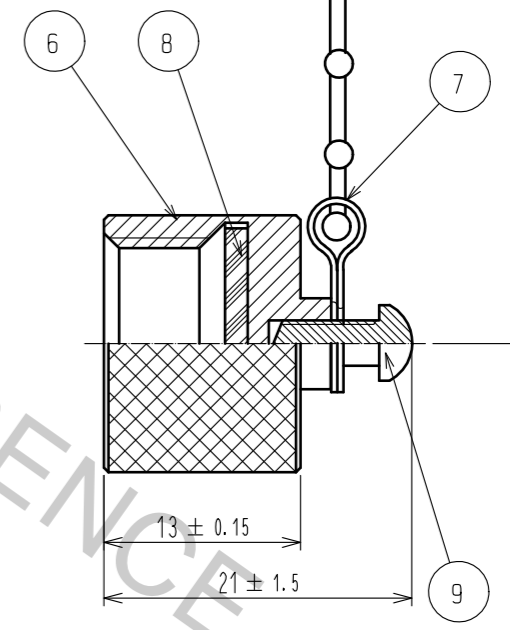
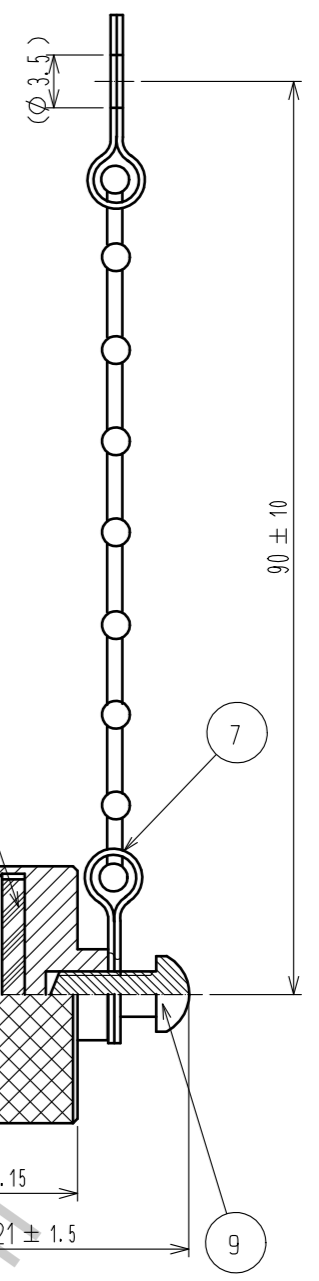
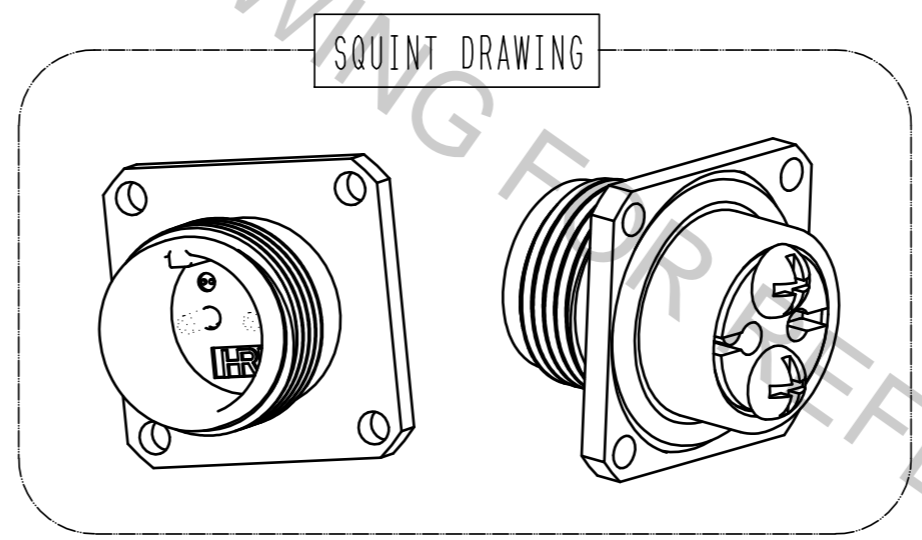
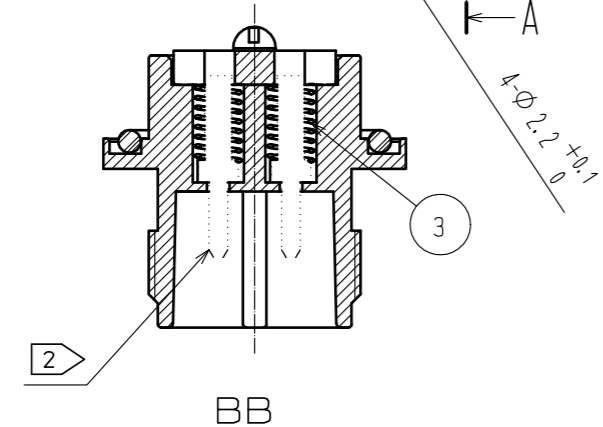
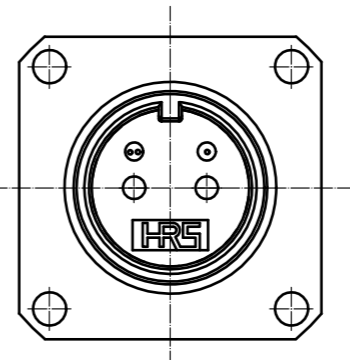
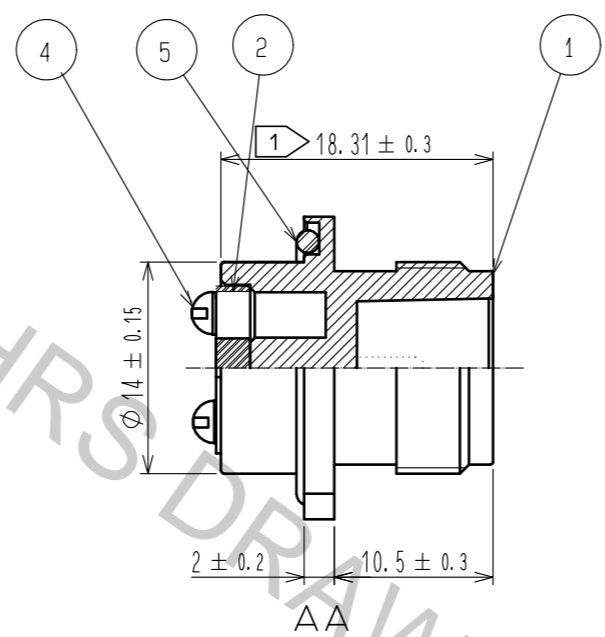
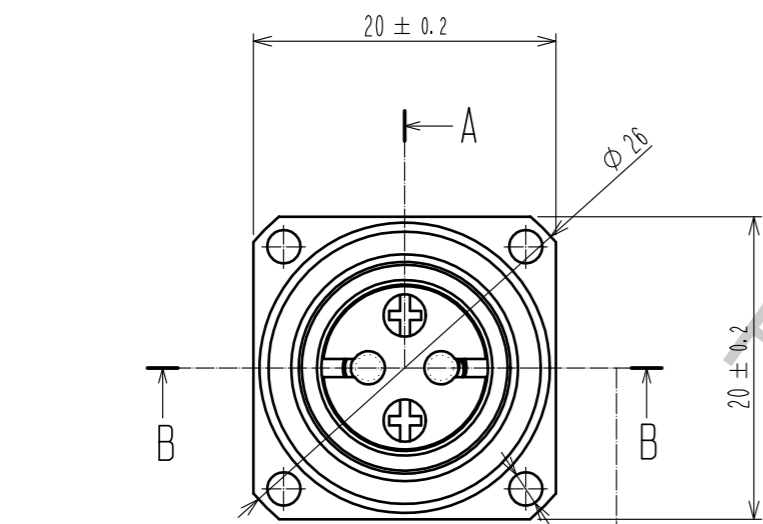


Aug.1.2018 Copyright 2018 HIROSE ELECTRIC CO., LTD. All Rights Reserved.
 In case that the application demands a high level of reliability, such as automotive,
 please contact a company representative for further information.



NOTE 1 THIS DIMENSION SHOWS AFTER ASSEMBLING.
 2 THIS PART IS NOT CONTAINED. PLEASE USE AN OPTIONAL MU FERRULE.

NO.	MATERIAL	FINISH . REMARKS	NO.	MATERIAL	FINISH . REMARKS
5	SYNTHETIC RUBBER		9	STAINLESS STEEL	NYELOCK
4	STAINLESS STEEL		8	SYNTHETIC RUBBER	
3	PIANO WIRE	ZINC PLATING	7	STAINLESS STEEL	
2	SYNTHETIC RESIN		6	ALUMINIUM ALLOY	ANODIC OXIDE COATING
1	ZINC DIECAST	NICKEL PLATING			

UNITS	SCALE	COUNT	DESCRIPTION OF REVISIONS	DESIGNED	CHECKED	DATE
mm	2 : 1	△	APPROVED : MT. SHIBUTANI 18.02.02			
			CHECED : FS. YOSHIDA 18.02.02			
			DESIGNED : TY. SATO 18.02.02			
			DRAWN : MK. INOUE 18.02.01			
HIROSE ELECTRIC CO., LTD.			DRAWING NO. EDC-176609-31-00 PART NO. MF10S-WDRFN01-0200(31) CODE NO. CL709-0548-4-31	1/1		