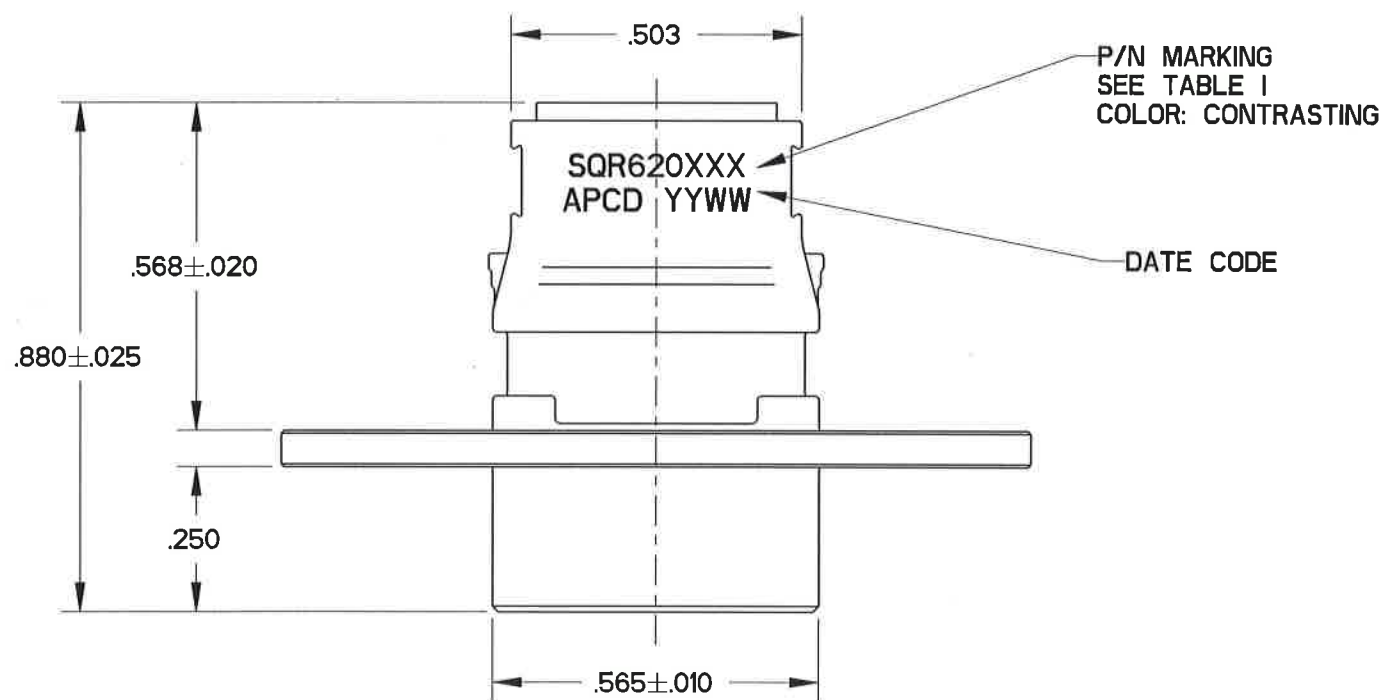
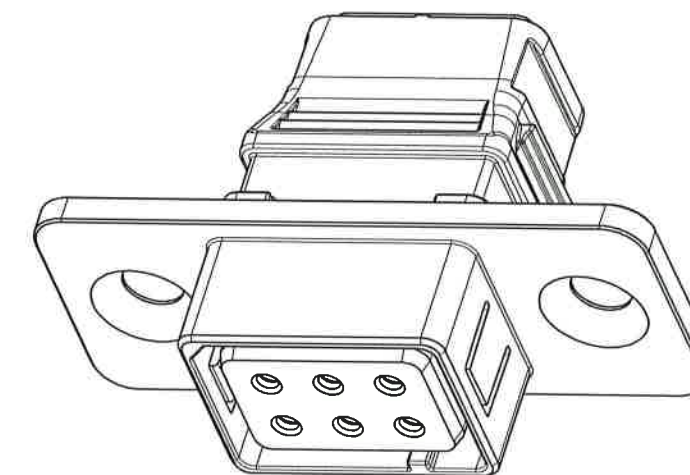
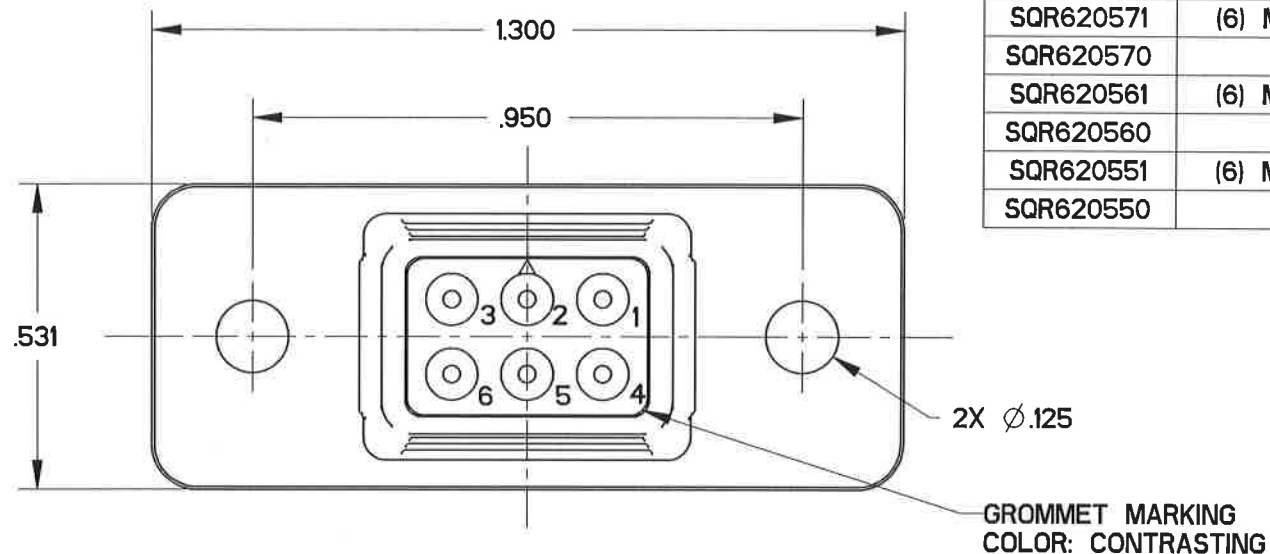


SQR620550

TABLE I - PART NUMBER SCHEME

APCD P/N	CONTACTS SUPPLIED	COLOR / KEY	P/N MARKING	PART MATES WITH
SQR620571	(6) M39029/57-357	WHITE / C	SQR620570	SQR620120
SQR620570	NONE			
SQR620561	(6) M39029/57-357	GREEN / B	SQR620560	SQR620110
SQR620560	NONE			
SQR620551	(6) M39029/57-357	BLACK / A	SQR620550	SQR620100
SQR620550	NONE			

REV	ECN	APP'D
-	7845	J 12/28/16



NOTES:

- MATERIALS:
 OUTER HOUSING: POLYETHERIMIDE
 INNER HOUSING: POLYETHERIMIDE
 CONTACT RETAINER: STAINLESS STEEL
 GROMMET: SILICONE RUBBER PER A-A-59588
- PART ACCEPTS M39029/57-357 CONTACTS
- WEIGHT: 3.5g

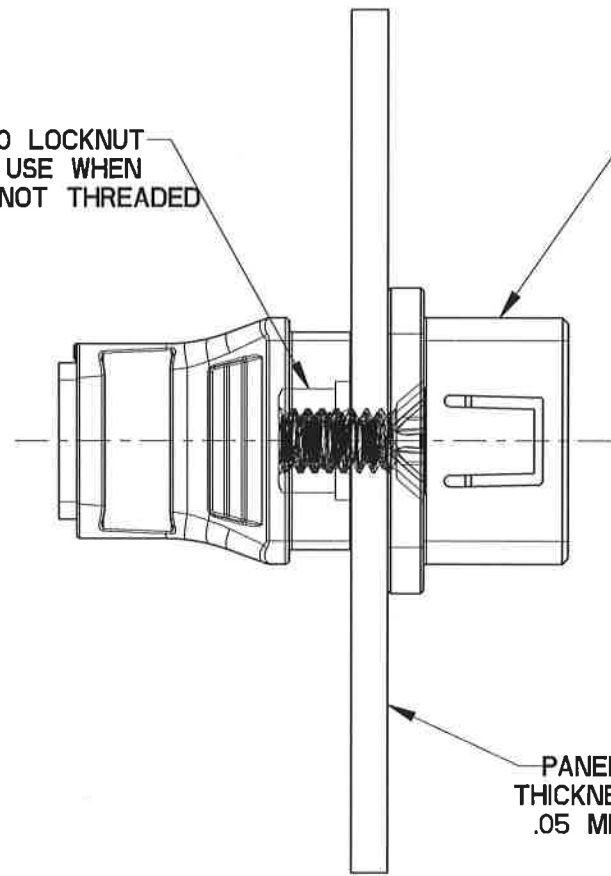
DIMENSIONS	TOLERANCES	PROJECTION	Amphenol Pcd SPECIFICATION DRAWING		TITLE 6 POS SIZE 22 RECEPTACLE FLANGE WITH SOCKET CONTACTS SQR SIZE 2 WITH FLANGE		
ANSI Y14.5M UNITS: INCHES Pro/E FILE	.XX ±0.01 .XXX ±0.005 ANGLES ±2.0°		ENGR TONY.CHEN	Apr-05-16	SIZE B	DWG NO. SQR620550	REV -
ORIGINAL	THIS DOCUMENT CONTAINS PROPRIETARY INFORMATION WHICH IS THE CONFIDENTIAL PROPERTY OF AMPHENOL PCD INC., BEVERLY, MA		CHKD <i>Willi Jun 12/28/16</i>	APPD <i>Steno 12/28/16</i>	CODE: 58982	SCALE: 3:1	SHEET 1 OF 2

SQR620550

SQR620550

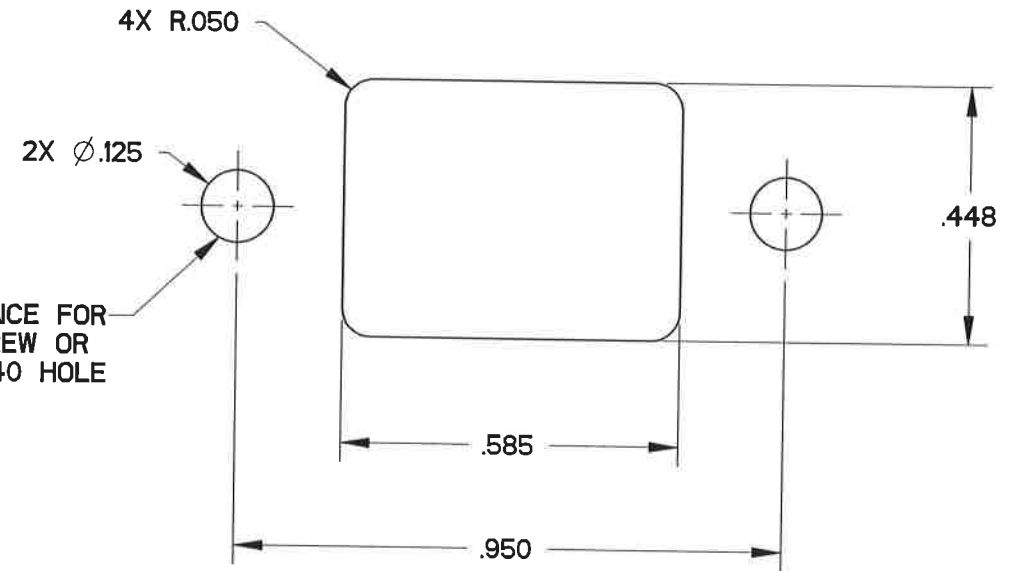
4-40 LOCKNUT
FOR USE WHEN
PANEL NOT THREADED

CONNECTOR MOUNTED
FORWARD OF PANEL



PANEL
THICKNESS
.05 MIN

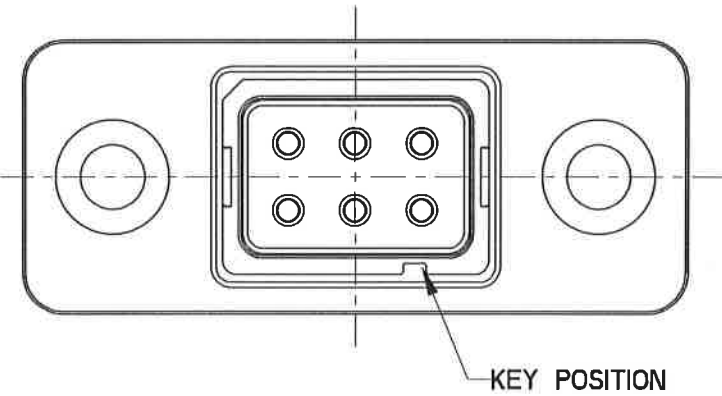
PANEL MOUNTING RECOMMENDATIONS



2X CLEARANCE FOR
#4 SCREW OR
TAPPED 4-40 HOLE

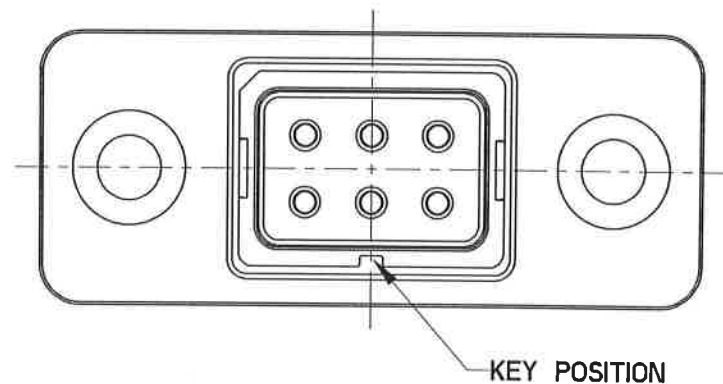
SCALE 3:1

RECOMMENDED PANEL CUT OUT FOR HARDWARE INSTALLATION



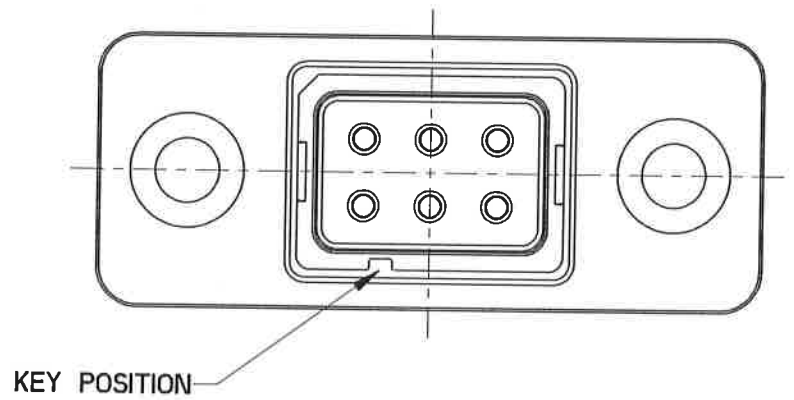
KEY POSITION

KEY A: SQR620550



KEY POSITION

KEY B: SQR620560



KEY POSITION

KEY C: SQR620570

SIZE B	DWG NO. SQR620550	REV -
CODE: 58982	SCALE: 3:1	SHEET 2 OF 2