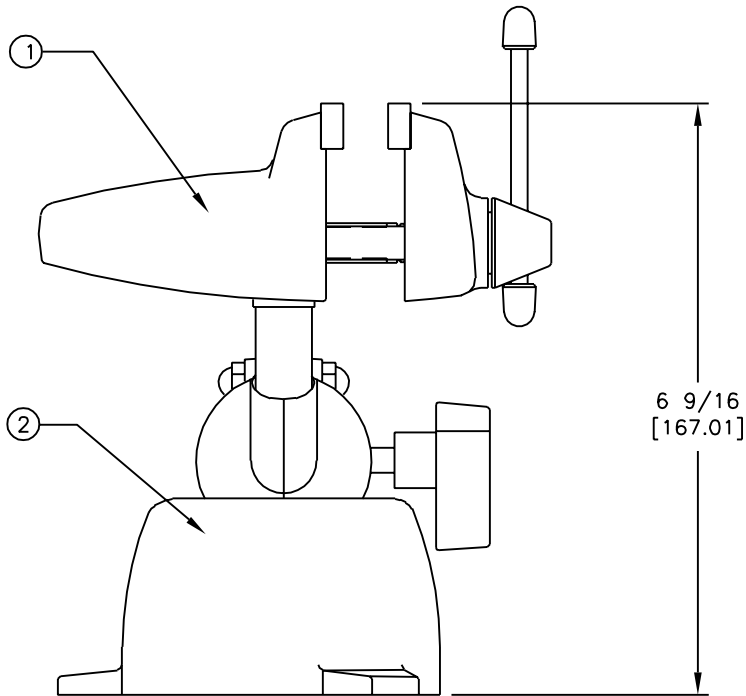


ALL DIMENSIONS ARE
FOR REFERENCE ONLY

DIMENSIONS ARE IN INCHES [MILLIMETERS]
UNLESS OTHERWISE NOTED



PRODUCT SPECIFICATION SHEET			DWG NO	301-SP
REVISIONS			TITLE	
REV	ECO	DESCRIPTION	BY/DATE	APPROVED
A		INITIAL RELEASE	IB 5 JUN 96	

SPECIFICATIONS

- OVERALL HEIGHT 6 3/4 [171.5]
- BASE MOUNTING HOLES .. 4 5/16 [109.5] BOLT CIRCLE
- SHIPPING WEIGHT 2.7 POUNDS [1.2 KG]
- COLOR SILVER PAINT
- WISE OPENING 2 1/4 [57] MAXIMUM

MATERIAL;

- 1. 303 HEAD SEE 303-SP SHEET FOR SPECIFICATIONS
- 2. 300 BASE SEE 300-SP SHEET FOR SPECIFICATIONS

(OTHER JAWS AVAILABLE)

- # 344 GROOVED BLACK NYLON
- # 352 TEFLON
- # 353 STEEL ZINC PLATED
- # 354 BRASS

ALL DESIGN, OPERATIVE, AND PROCESS DATA PERTAINING TO THE ARTICLE ON THIS SHEET IS THE PROPERTY OF PANAVISE PRODUCTS, INC., RENO, NV. THIS INFORMATION IS DISCLOSED IN CONFIDENCE AND IS NOT TO BE COPIED, REPRODUCED, OR REVEALED TO OR APPROPRIATED BY OTHERS, IN PART OR IN WHOLE, WITHOUT THE EXPRESSED CONSENT OF PANAVISE. THIS PRINT IS LOANED, AND MUST NOT BE USED IN ANY MANNER DETRIMENTAL TO THE INTEREST OF PANAVISE, AND MUST BE RETURNED ON DEMAND



PANAVISE®

7540 Calbert Drive, Reno, Nevada 89511-1225
Phone (702) 850-2900, Fax (702) 850-2929

TITLE
STANDARD PANAVISE
MODEL 301

BASIC DIM. ENGLISH [ALTERNATE DIM. METRIC]

DRAWN	DATE	SCALE	SIZE	DWG. NO.	REV
I BENNETT	5 JUN 96	NONE	A	301-SP	A

SHT 1 OF 1