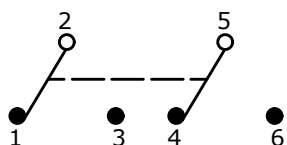


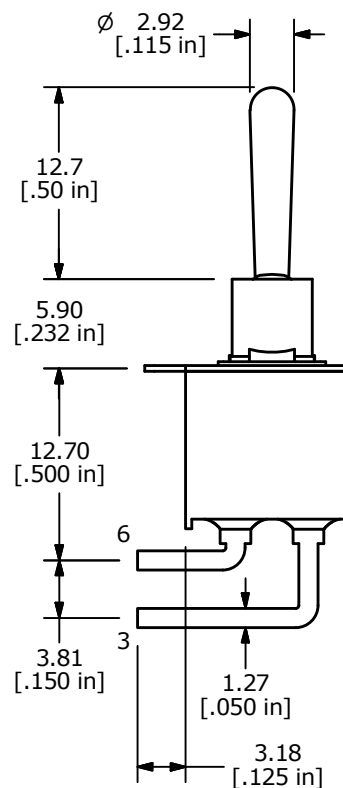
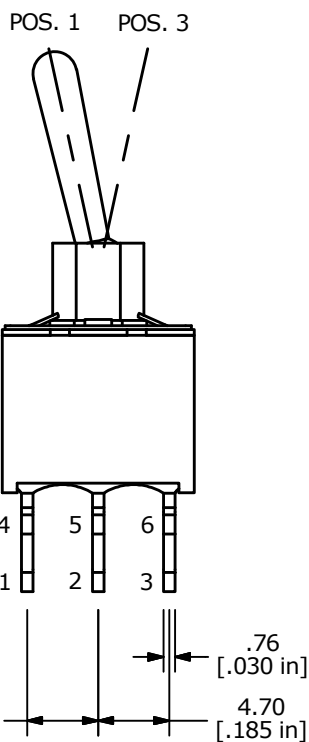
SWITCH FUNCTION		
POS. 1	POS. 2	POS. 3
ON	NONE	ON
2-3, 5-6	N/A	2-1, 5-4



CIRCUIT: DPDT

NOTE:

1. ALL DIMENSIONS IN MM [INCH]
2. GENERAL TOLERANCE: X.X=±0.4  
X.XX=±0.25
3. TERMINAL NUMBERS FOR REF ONLY
- ▲ 4. RATING: 5A @120VAC OR 28VDC;  
2A @250VAC
5. FIXED TERM. & MOVING CONTACT:  
COPPER ALLOY W/SILVER
6. ELECTRIC LIFE: 30,000 MAKE-AND-BREAK CYCLES  
AT FULL LOAD.
7. INSULATION RESISTANCE: 1,000 MEGA-OHM MIN.
8. DIELECTRIC STRENGTH: 1,000 V RMS @SEA LEVEL.
9. OPERATING TEMP.: -30°C to 85°C
10. ▲ DENOTES CRITICAL PARAMETER.



C	22588	UPDATED DIMENSIONS	11/10/16	MJR
B	12042	REVISED AND REDRAWN	4/5/02	CJB
REV	PCR NO	DESCRIPTION	DATE	BY

TITLE 100AWDP1T1B4M6QE				
SCALE 2:1	DATE 4/5/2002	DR CJB	DWG T102103	REV C

THE INFORMATION CONTAINED IN THIS DOCUMENT IS PROPRIETARY TO E-SWITCH AND IS NOT TO BE COPIED OR TRANSFERRED