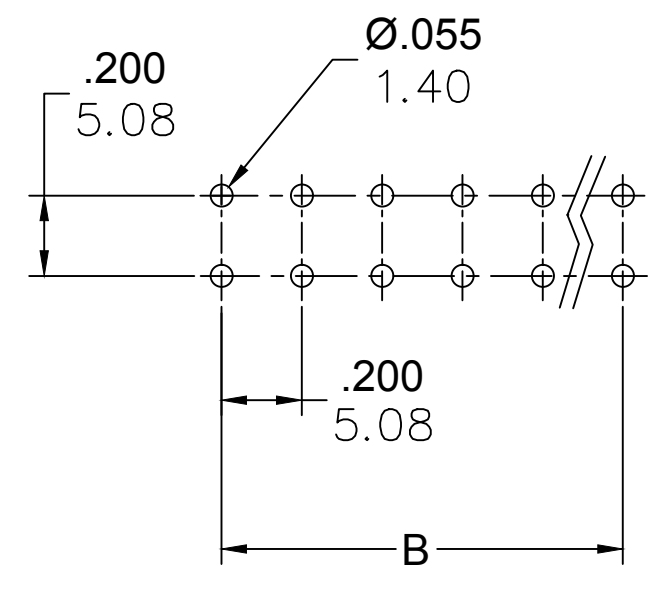
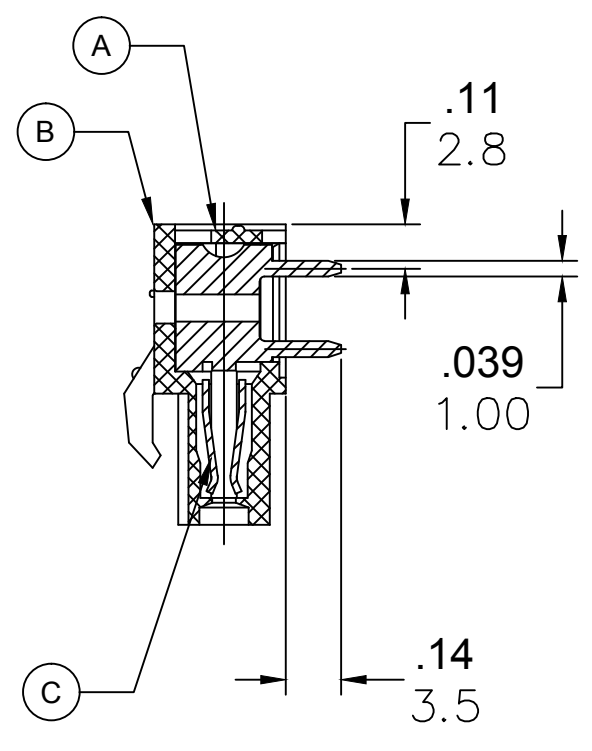


MARKING IS LOCATED AS SHOWN



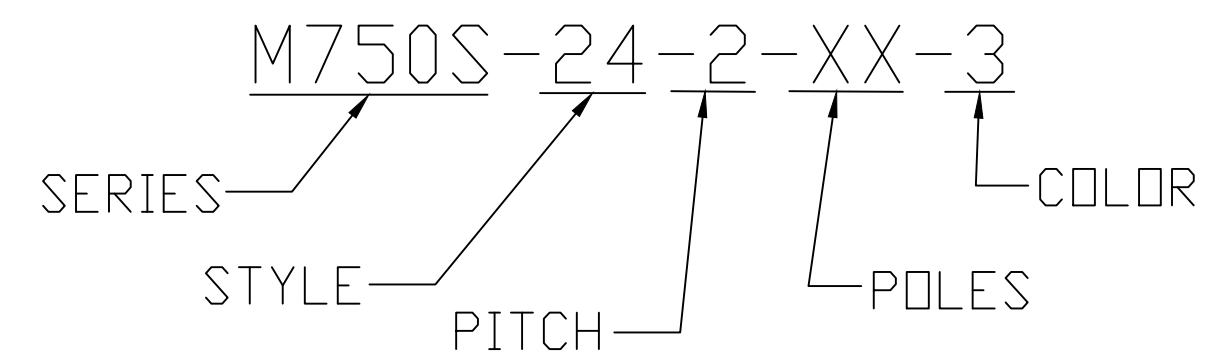
PCB LAYOUT



PART NUMBER DATA							
CIRCUITS	PART NUMBER	ENGINEERING NUMBER	COLOR	A IN mm		B IN mm	
2	397340002	M750S-24-2-02-3	GREEN	.48	12.2	.200	5.08
3	397340003	M750S-24-2-03-3	GREEN	.68	17.2	.400	10.16
4	397340004	M750S-24-2-04-3	GREEN	.88	22.3	.600	15.24
5	397340005	M750S-24-2-05-3	GREEN	1.08	27.4	.800	20.32
6	397340006	M750S-24-2-06-3	GREEN	1.28	32.5	1.000	25.40
7	397340007	M750S-24-2-07-3	GREEN	1.48	37.6	1.200	30.48
8	397340008	M750S-24-2-08-3	GREEN	1.68	42.6	1.400	35.56
9	397340009	M750S-24-2-09-3	GREEN	1.88	47.7	1.600	40.64
10	397340010	M750S-24-2-10-3	GREEN	2.08	52.8	1.800	45.72
11	397340011	M750S-24-2-11-3	GREEN	2.28	57.9	2.000	50.80
12	397340012	M750S-24-2-12-3	GREEN	2.48	63.0	2.200	55.88
13		M750S-24-2-13-3	GREEN	2.68	68.0	2.400	60.96
14		M750S-24-2-14-3	GREEN	2.88	73.1	2.600	66.04
15		M750S-24-2-15-3	GREEN	3.08	78.2	2.800	71.12
16		M750S-24-2-16-3	GREEN	3.28	83.3	3.000	76.20
17		M750S-24-2-17-3	GREEN	3.48	88.4	3.200	81.28
18		M750S-24-2-18-3	GREEN	3.68	93.4	3.400	86.36
19		M750S-24-2-19-3	GREEN	3.88	98.5	3.600	91.44
20		M750S-24-2-20-3	GREEN	4.08	103.6	3.800	96.52
21		M750S-24-2-21-3	GREEN	4.28	108.7	4.000	101.59
22		M750S-24-2-22-3	GREEN	4.48	113.8	4.200	106.67
23		M750S-24-2-23-3	GREEN	4.68	118.8	4.400	111.75
24		M750S-24-2-24-3	GREEN	4.88	123.9	4.600	116.83

REF. LAST 2 DIGITS OF PART NUMBER EQUAL CIRCUIT COUNT

ENGINEERING NUMBER LEGEND



CONTACT FACTORY FOR OPTIONAL COLORS

SPECIFICATIONS:

- MATERIAL:
  - A. COVER: PA66 UL94 V-0
  - B. BODY: PA66, UL94 V-0
  - C. TERMINAL: BRASS TIN PLATED
- RATING: 250V, 12A
- DIELECTRIC VOLTAGE WITHSTAND: AC 2500V FOR 1 MINUTE
- INSULATION RESISTANCE: DC 500V, 500MΩ
- RATED IMPULSE VOLTAGE: 4000V, PLUS AND MINUS 5 TIMES EACH
- OPERATING TEMPERATURE: -40°C TO +105°C
- MAX SOLDERING TEMP: 260°C (500°F) FOR 5 SECONDS
- DIMS. SHOWN ARE FOR REFERENCE ONLY

TOLERANCES			
MM	TOL	INCH	TOL
0-6	±0.25	0-.24	±.010
>6-30	±0.40	.24-1.18	±.016
>30-120	±0.50	1.18-4.76	±.020
>120	±0.80	>4.76	±.031

REVISED DOC TOL EC NO.: IPG2017-0881 DRWN: ABENJAMI CHKD: --- APPR: BRUPERT 4/6/17 2014/10/16	QUALITY SYMBOL ▽=0 ▽C=0	GENERAL TOLERANCES (UNLESS SPECIFIED) mm INCH 4 PLACES ±--- ±--- 3 PLACES ±--- ±--- 2 PLACES ±--- ±--- 1 PLACE ±--- ±---	DIMENSION STYLE IN/MM DRAWN BY DATE RSTONE 2014/04/29 CHECKED BY DATE G FARNSW --- APPROVED BY DATE JFMURPHY 2014/10/16	SCALE --- DESIGN UNITS METRIC THIRD ANGLE PROJECTION	TITLE HEADER HORIZONTAL MALE 5.08MM
	DRAFT WHERE APPLICABLE MUST REMAIN WITHIN DIMENSIONS	MATERIAL NO. SEE CHART	MOLEX INCORPORATED SD-39734-001	SHEET NO. 1 OF 1	
	THIS DRAWING CONTAINS INFORMATION THAT IS PROPRIETARY TO MOLEX INCORPORATED AND SHOULD NOT BE USED WITHOUT WRITTEN PERMISSION				
	SIZE C				