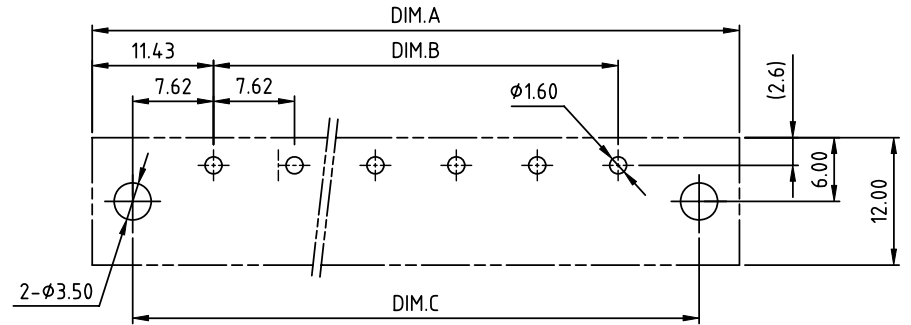
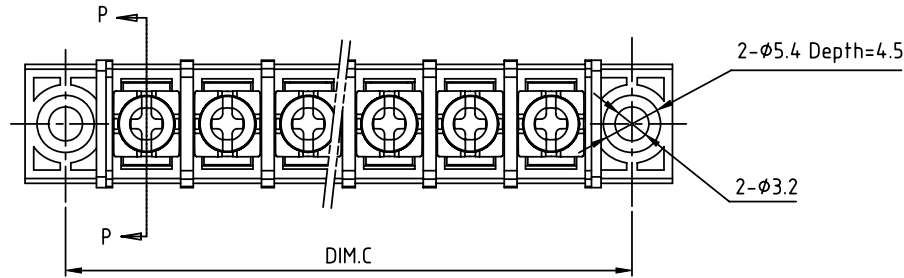
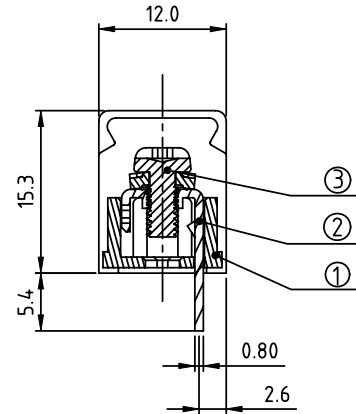
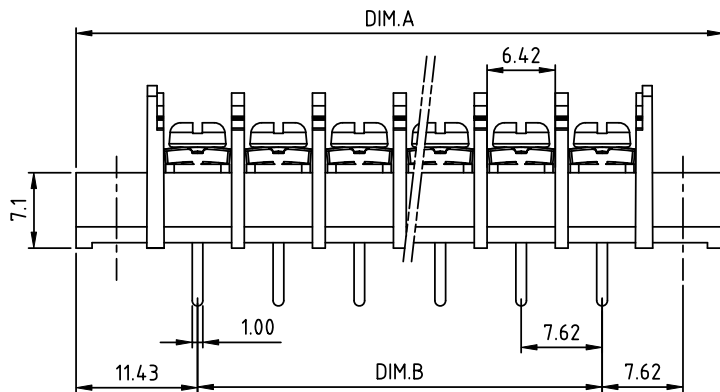


PRODUCT NUMBER	PITCH
YK302xx3x0JOG	7.62 mm



RECOMMENDED P.C.B LAYOUT
TOP VIEW



SECTION:P-P

MATERIALS ELECTRICAL	
RATED VOLTAGE & CURRENT:	300 V, 15 A
WITHSTAND VOLTAGE:	AC 2000 V/Min
INSULATION RESISTANCE:	1000 MΩ OR MORE AT DC 500 V
OPERATING TEMPERATURE RANGE:	-40 °C ~ +115 °C
SCREW TORQUE VALUE:	5.2 Lb-In.
WIRE RANGE:	14 ~ 22 AWG
1) HOUSING:	THERMOPLASTIC, UL 94 V-0 BLACK
2) TERMINAL:	BRASS, 0.8t
3) TERMINAL SCREWS:	STEEL, M3

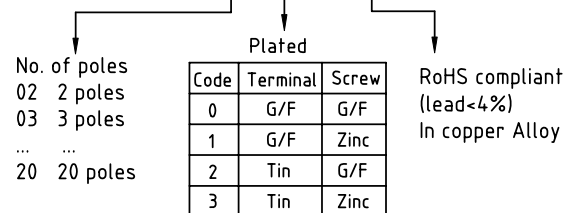
DIMENSION

Dim A	(N+2)×7.62
Dim B	(N-1)×7.62
Dim C	(N+1)×7.62

N=Number of poles

Poles	Tolerance
2p-4p	±0.20
5p-10p	±0.30
11p-16p	±0.40
17p-20p	±0.50

PART NO.: YK 302xx 3 x 0 JOG



mat'l. code	surface ASME Y14.5	tolerance ASME Y14.5	projection	product family
ltr	ecn	no	dr	date
tolerances unless otherwise specified			MM	TERMINAL BLOCK
angles	φ	X.±0.5	scale	title
X*±1°	X.XX±0.3	X.XX±0.1	MM	TERMINAL BLOCK
dr	HANKE FENG	060914	scale	BARRIER TYPE, WITH FLANGE
enr	HANKE FENG	060914	FCI	dwg no
chr	HANKE FENG	060914	sheet 1 of 1	size
appd	SHI JUN	060914	YK302xx3x0JOG	A4
sheet index	revision sheet	A	type	CUSTOMER Drawing
1	1			