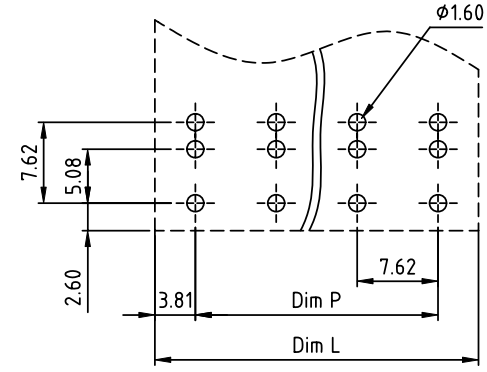
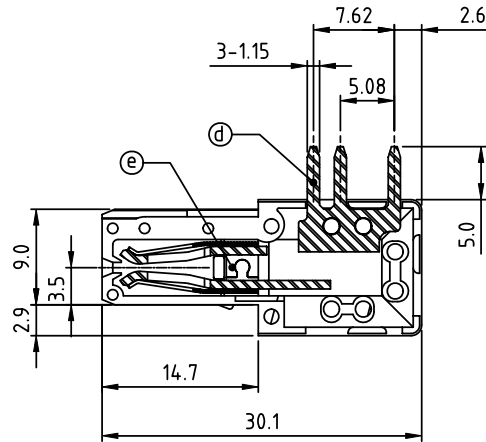
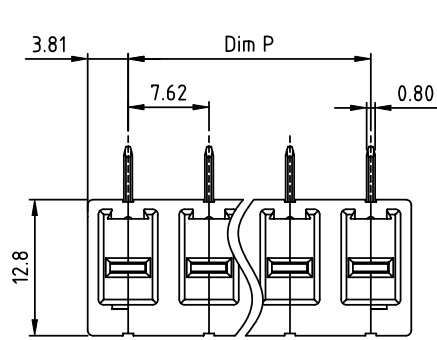
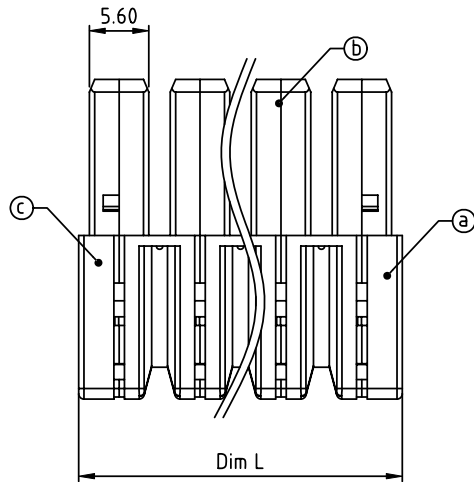


PRODUCT NUMBER	PITCH
KSxx01x100J0G	7.62 mm



RECOMMENDED P.C.B LAYOUT
TOP VIEW



Material:

- Item a Left Cover :Thermoplastic (UL94 - V0)
- Item b Middle Body :Thermoplastic (UL94 - V0)
- Item c Right Cover :Thermoplastic (UL94 - V0)
- Item d Pin: Copper Tin plated
- Item e Wire guard:Stainless Steel (ET 7.62)

Electrical: cULus

- Voltage rating: 300V
- Current rating: 41A
- Withstanding Voltage:1.6 KV
- Operating temperature:-40°C to +115°C
- Soldering temperature:260°C±5°C/5 Sec
- Safety approval: cULus

PART NO.: KSxx01x100J0G

N=Number of poles

Dim L	$N \times 7.62$
Dim P	$(N-1) \times 7.62$

Dimension

Poles	Tolerance
2P-5P	±0.20
6P-8P	±0.30
9P-12P	±0.35
13P-16P	±0.40

End stackable	No. of poles	Color	RoHS compliant (lead<4%) In copper Alloy
0	2	Black (RAL9005)	
02	2 poles	Red (RAL3001/D)	
03	3 poles	Orange(RAL2011/P)	
...	...	4 Yellow(RAL1018/A)	
5	5 poles	Green(RAL6018/T)	
16	16 poles	6 Blue (RAL5015/A)	
		8 Grey(RAL7035/D)	
		9 White(RAL1102)	
		C Green(RAL6018/U)	

mat'l. code		surface ASME Y14.5	tolerance ASME Y14.5	projection	product family TERMINAL BLOCK			
ltr	ecn no	dr	date	 MM	title TERMINAL BLOCK PLUGGABLE PLUG, WITH SOLDER PIN RIGHT ANGLE, UNDER PCB MOUNTING			
tolerances unless otherwise specified		angles	<table border="1"> <tr> <td>$X \pm 0.5$</td> </tr> <tr> <td>$X.X \pm 0.3$</td> </tr> <tr> <td>$X.XX \pm 0.1$</td> </tr> </table>			$X \pm 0.5$	$X.X \pm 0.3$	$X.XX \pm 0.1$
$X \pm 0.5$								
$X.X \pm 0.3$								
$X.XX \pm 0.1$								
dr	ENGR	ENGR	chr	appd	type CUSTOMER Drawing			
EVIN ZHONG	050614	EVIN ZHONG	HANKE FENG	SHI JUN				
050614		050614						
050614								
050614								
sheet index	revision	A	sheet	1				