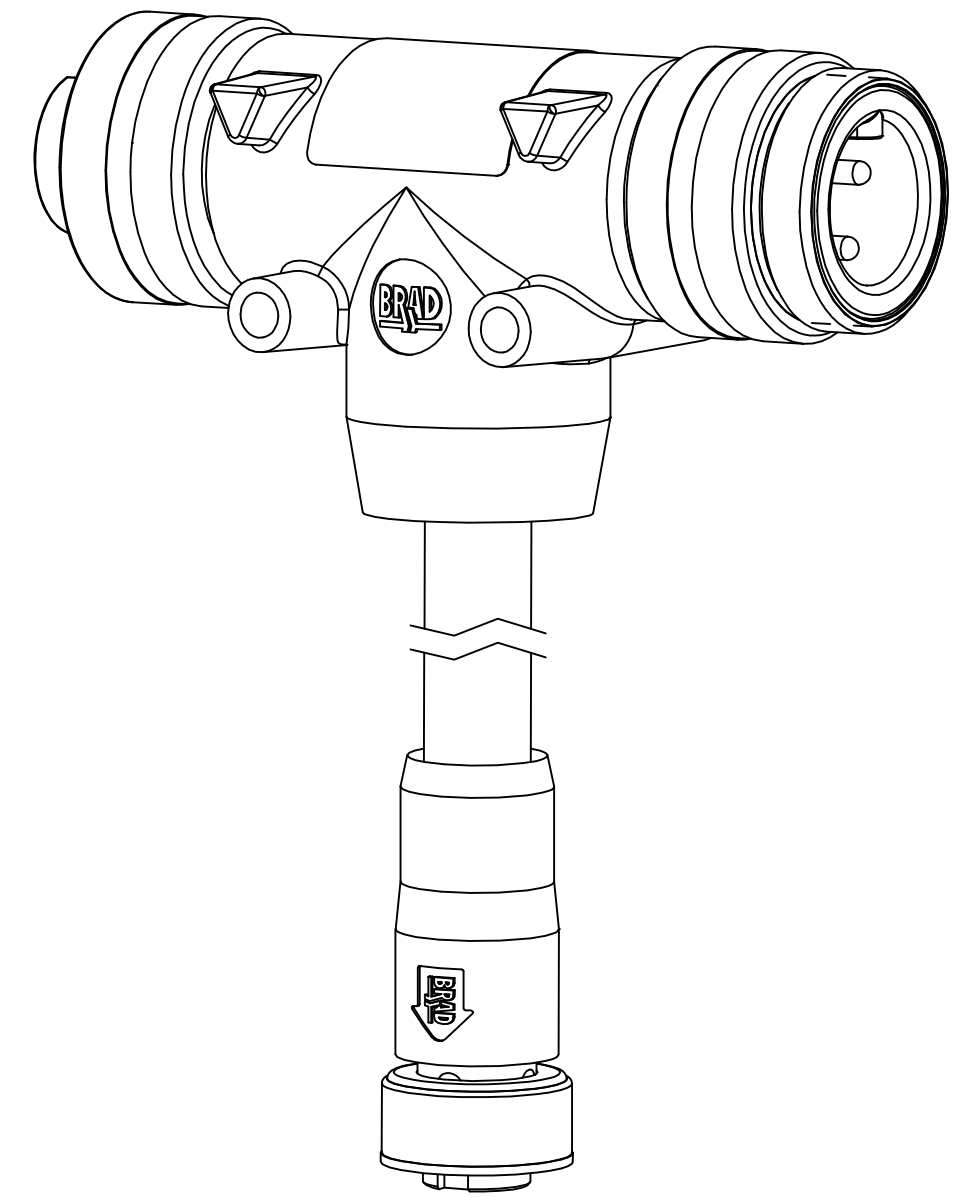
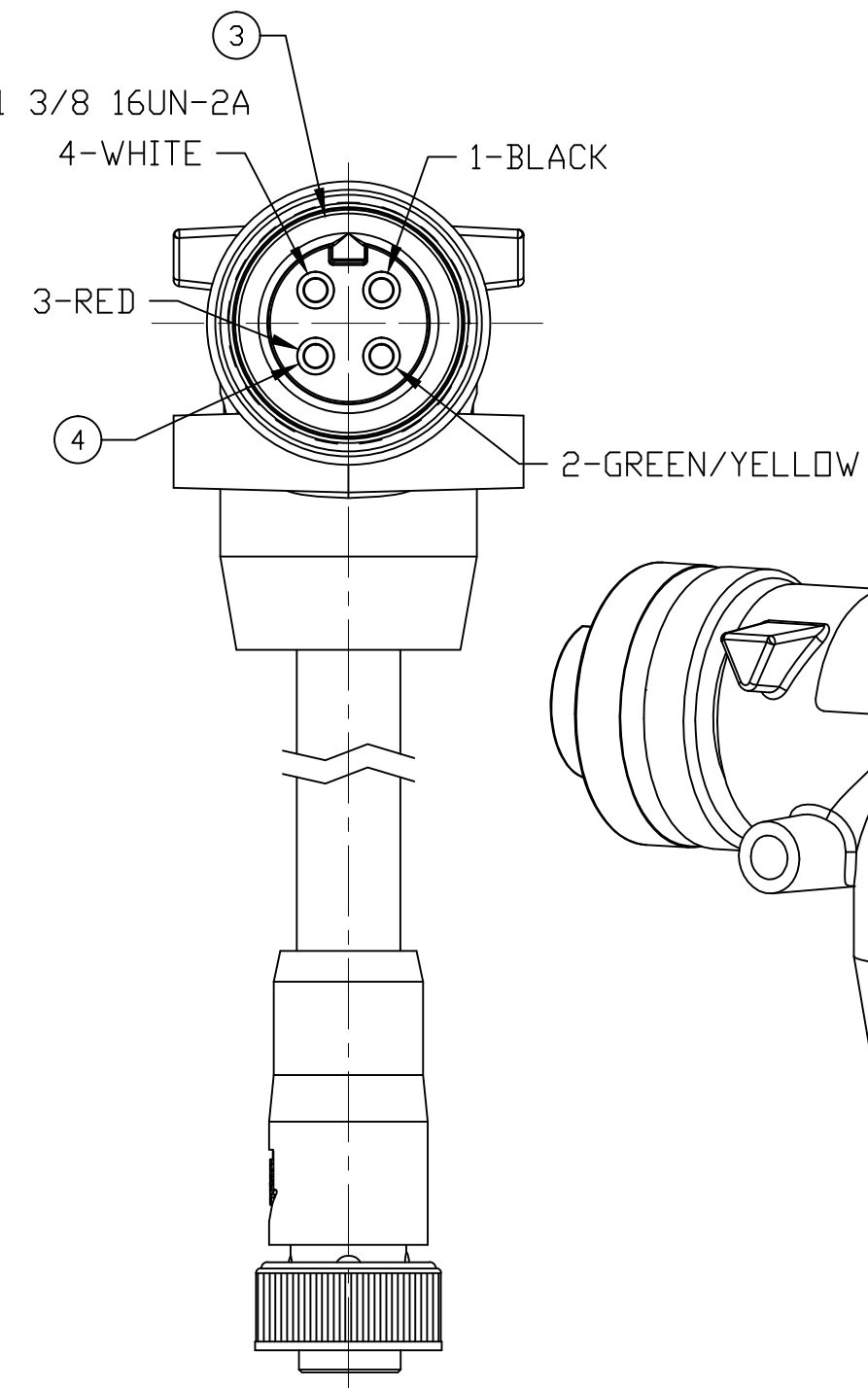
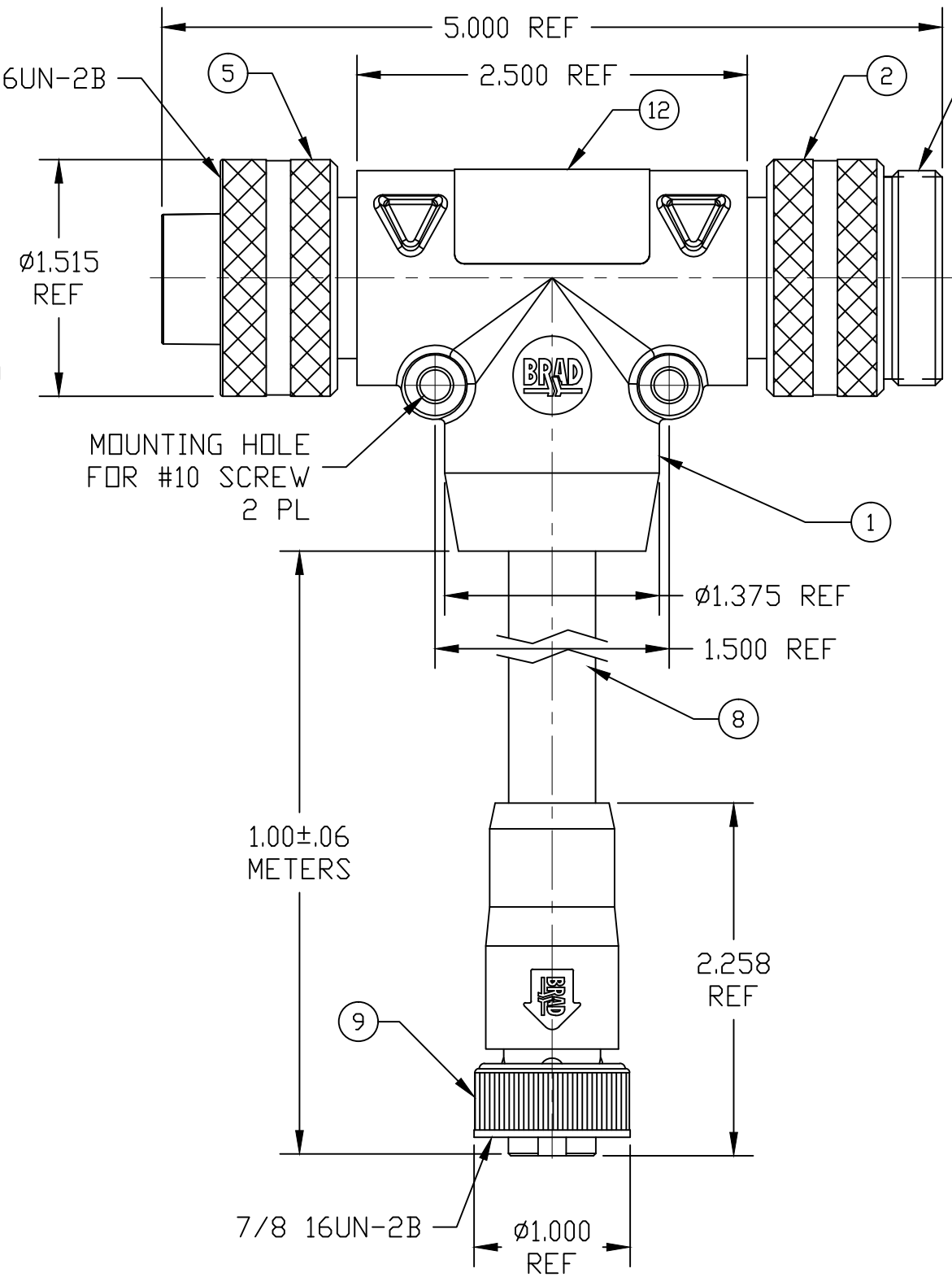
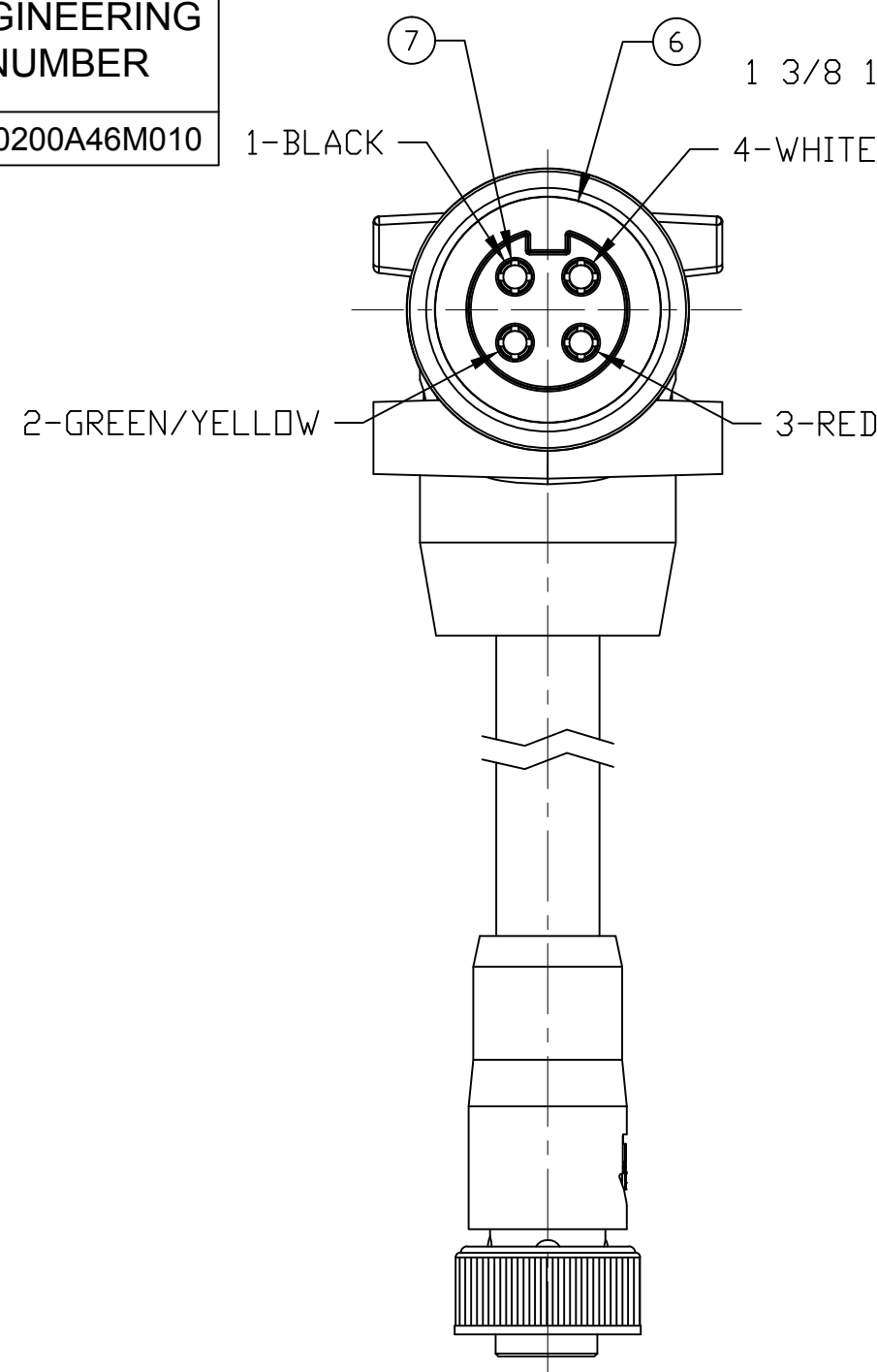
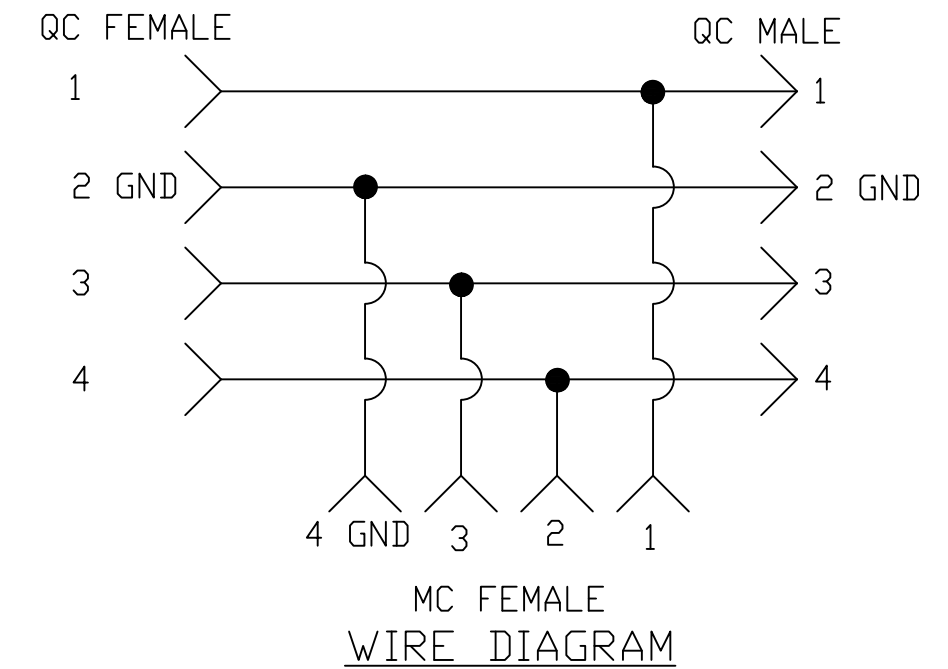
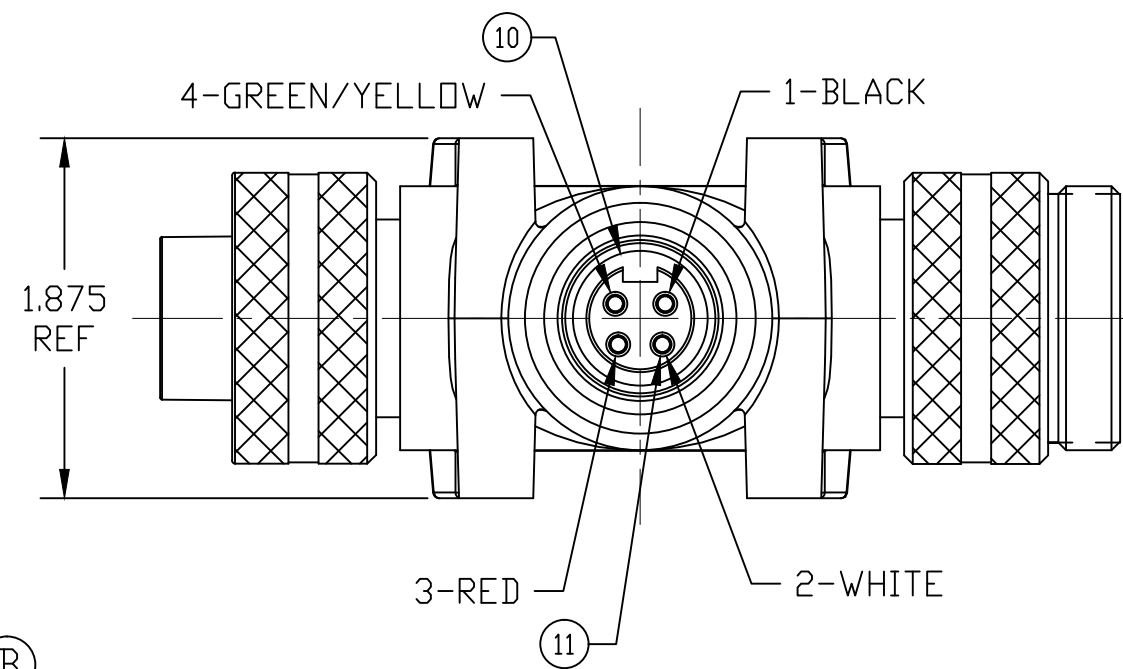


PART NUMBER	ENGINEERING NUMBER
1300680075	TC40200A46M010



NOTES:

1. MATERIAL: AS NOTED
2. FINISH: AS NOTED
3. ELECTRICAL:
VOLTAGE: 480V PER IEC60664
600V PER UL2237
MAX THRU CURRENT: 32A
MAX DROP CURRENT: 15A (B)
4. TEMP RATING: -20° TO +90°C
5. PROTECTION: IP67 (WHEN MATED)
6. CERTIFICATION:
UL LISTED/CSA CERTIFIED FILE NO: E258922



ITEM	DESCRIPTION	MATERIAL	FINISH
12	LABEL	POLYESTER	BLACK/ORANGE
11	MC SOCKET CONTACT	COPPER ALLOY	GOLD PLATED
10	MC FEMALE INSERT	PVC	BLACK
9	MC COUPLING NUT	ZINC ALLOY	BLACK E-COAT
8	CABLE, 14AWG-3 TYPE TC-ER, STDDW	PVC	GRAY
7	QC SOCKET CONTACT	COPPER ALLOY	GOLD PLATED
6	QC FEMALE INSERT	PVC	BLACK
5	QC FEMALE COUPLING NUT	ALUMINUM	CLEAR ANODIZE
4	QC PIN CONTACT	COPPER ALLOY	GOLD PLATED
3	QC MALE INSERT	PVC	BLACK
2	QC MALE COUPLING NUT	ALUMINUM	CLEAR ANODIZE
1	OVERMOLD	PVC	GRAY

REV D NOTE 3 EC NO: IPG2017-0829 DRWN: RSTONE 3/3/17 CHKD: K COX 2017/03/10 APPR: BWOODMAN 2010/01/20	QUALITY SYMBOL	$\nabla = 0$ $\nabla C = 0$															
	GENERAL TOLERANCES (UNLESS SPECIFIED)	<table border="1"> <tr> <td></td> <td>mm</td> <td>INCH</td> </tr> <tr> <td>4 PLACES</td> <td>±---</td> <td>±---</td> </tr> <tr> <td>3 PLACES</td> <td>±---</td> <td>±---</td> </tr> <tr> <td>2 PLACES</td> <td>±---</td> <td>±---</td> </tr> <tr> <td>1 PLACE</td> <td>±---</td> <td>±---</td> </tr> </table>		mm	INCH	4 PLACES	±---	±---	3 PLACES	±---	±---	2 PLACES	±---	±---	1 PLACE	±---	±---
		mm	INCH														
	4 PLACES	±---	±---														
3 PLACES	±---	±---															
2 PLACES	±---	±---															
1 PLACE	±---	±---															
ANGULAR ±---°																	
	DRAFT WHERE APPLICABLE MUST REMAIN WITHIN DIMENSIONS																

DRAWN BY	DATE	TITLE
KJOZWIK	2010/01/18	BRAD POWER QC 4 POLE TEE W/4 POLE MC CBL DROP
CHECKED BY	DATE	
BWOODMAN	2010/01/18	
APPROVED BY	DATE	
JFMURPHY	2010/01/20	
MATERIAL NO.	SEE TABLE	
SIZE	C	

DIMENSION STYLE	INCH
SCALE	---
DESIGN UNITS	INCH
THIRD ANGLE PROJECTION	
MATERIAL NO.	SEE TABLE
SIZE	C

DOCUMENT NO.	SD-130068-016	SHEET NO.	1 OF 1
THIS DRAWING CONTAINS INFORMATION THAT IS PROPRIETARY TO MOLEX INCORPORATED AND SHOULD NOT BE USED WITHOUT WRITTEN PERMISSION			