

Owner's Manual

BP Series External Battery Packs

Not suitable for mobile applications.

Introduction	2
Important Safety Instructions	2
Mounting	3
Connection	9
Maintenance	10
Warranty and Product Registration	11
Español	12
Français	23
Русский	34

PROTECT YOUR INVESTMENT!

Register your product for quicker service
and ultimate peace of mind.

You could also win an
ISOBAR6ULTRA surge protector—
a \$100 value!



www.tripplite.com/warranty



1111 W. 35th Street, Chicago, IL 60609 USA • www.tripplite.com/support

Copyright © 2017 Tripp Lite. All rights reserved.

Introduction

Tripp Lite BP Series External Battery Packs are designed for use with various Tripp Lite UPS systems equipped with external battery pack connectors.

Important Safety Instructions



SAVE THESE INSTRUCTIONS

WARNING! The mounting shelves are not intended to support more than one battery pack. Do not stack multiple battery packs on a single set of mounting shelves. Failure to follow this warning may lead to product damage and/or risk of personal bodily harm.

- **Use caution when lifting battery packs. Because of the considerable weight of all battery packs, at least two people should assist in lifting and installing them.**
- **Make certain the battery packs and UPS use the same DC voltage before connecting them.**
- **Use of this equipment in life support applications where failure of this equipment can reasonably be expected to cause the failure of the life support equipment or to significantly affect its safety or effectiveness is not recommended.**
- Suggested mounting procedures are for common rack types and may not be appropriate for all rack configurations. User must determine the fitness of rack and wall-mount hardware and procedures before mounting.
- When connecting multiple battery packs to a single UPS, the battery packs should be approximately the same age.
- It is normal for sparks to occur when connecting external batteries.
- Do not unplug external batteries from the UPS while the UPS is operating on battery power, due to the possibility of dangerous arcing.
- Batteries can present a risk of electrical shock and burn from high short-circuit current. Observe proper precautions. Do not dispose of the batteries in a fire. Do not open the UPS or batteries. Do not short or bridge the battery terminals with any object. Unplug and turn off the UPS before performing battery replacement. Use tools with insulated handles. There are no user-serviceable parts inside the UPS. Battery replacement should be performed only by authorized service personnel using the same number and type of batteries (Sealed Lead-Acid). The batteries are recyclable. Refer to your local codes for disposal requirements or visit <http://www.tripplite.com/support/recycling-program> for recycling information. Tripp Lite offers a complete line of UPS System Replacement Battery Cartridges (R.B.C.). Visit Tripp Lite on the Web at <http://www.tripplite.com/products/battery-finder/> to locate the specific replacement battery for your UPS.

Mounting (4-Post Rack)

Mount your battery pack in a 4-post or 2-post rack or rack enclosure, or in an upright tower position. The user must determine the fitness of hardware and procedures before mounting. If hardware and procedures are not suitable for your application, contact the manufacturer of your rack or rack enclosure. The procedures described in this manual are for common rack and rack enclosure types and may not be appropriate for all applications.

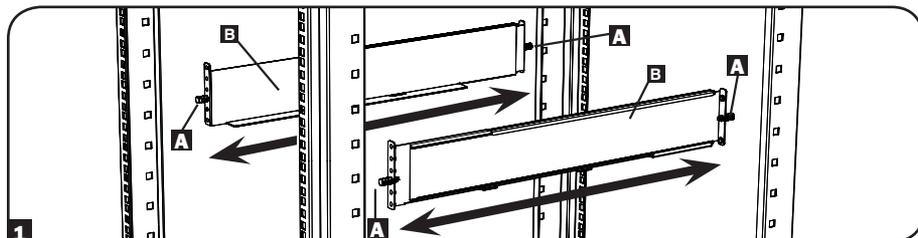
4-Post Mounting

Most external battery packs include the hardware required for 4-post mounting. If this hardware did not come with your unit, an Adjustable 4-Post Rack-mount Shelf Kit (models: 4POSTRAILKIT or 4POSTRAILKITHD) may be ordered separately.

- 1 The included plastic pegs **A** will temporarily support the empty rack-mount shelves **B** while you install the permanent mounting hardware. Insert a peg near the center of the front and rear bracket of each shelf as shown. (Each front bracket has six holes and each rear bracket has three holes.) The pegs will snap into place.

After installing the pegs, expand each shelf to match the depth of your rack rails. The pegs will fit through the square holes in the rack rails to support the shelves. Refer to the rack unit labels to confirm the shelves are level in all directions.

Note: The support ledge of each shelf must face inward.



Mounting (4-Post Rack)

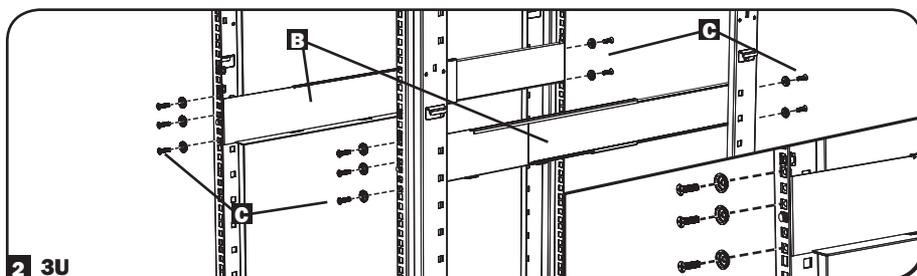
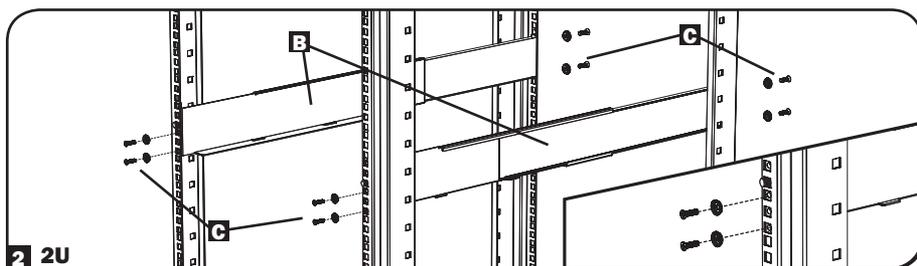
- 2** Secure the shelves **B** to the mounting rails permanently using the included screws and cup washers **C** as shown.

- For 2U equipment mounting, place four screws total in the front and four screws total in the back.
- For 3U equipment mounting, place six screws total in the front and four screws total in the back.

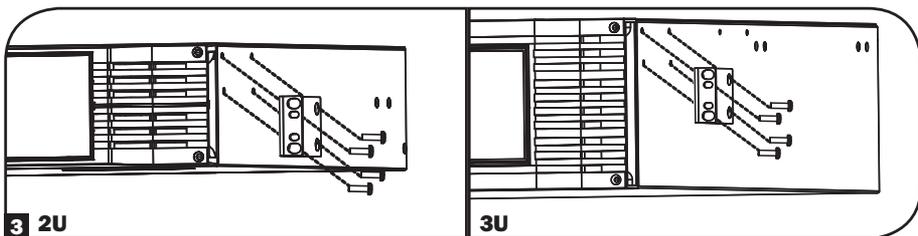
Tighten all screws before proceeding.



Warning: Do not attempt to install equipment until you have inserted and tightened the required screws. The plastic pegs will not support the weight of your equipment.

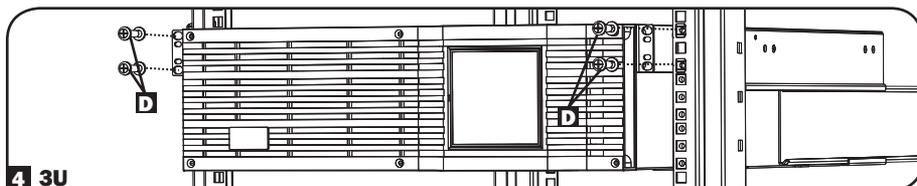
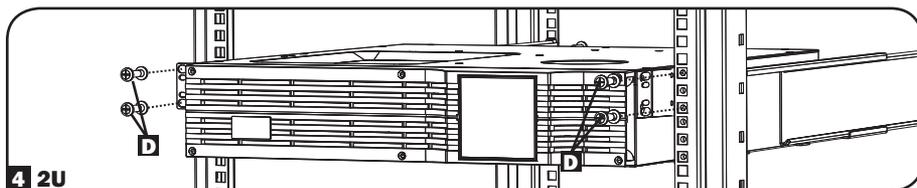


- 3** Using the included hardware, attach the mounting brackets to the forward mounting holes of the cabinet. The mounting bracket "ears" should face forward. (Some equipment may have pre-installed or integrated mounting brackets.)



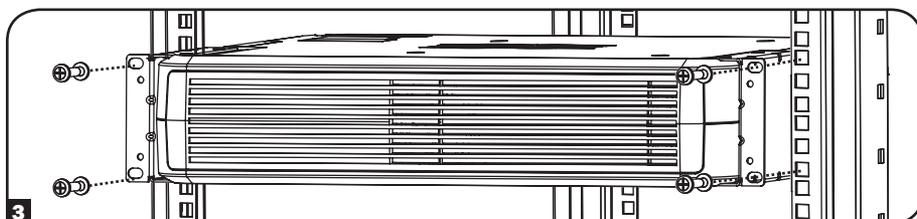
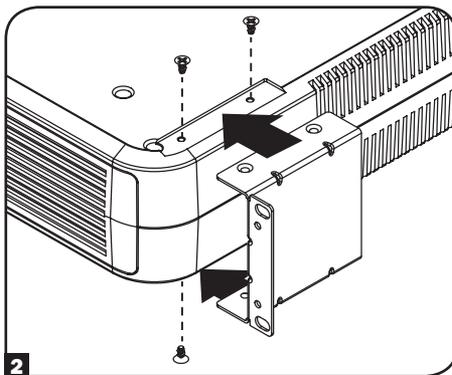
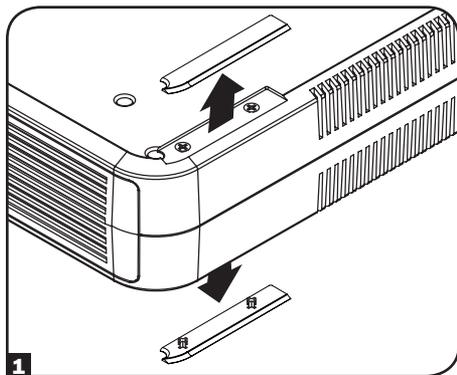
Mounting (4-Post Rack)

- 4** With the aid of an assistant (if necessary), lift your equipment and slide it into the shelves. Attach the equipment mounting brackets to the forward mounting rails with user-supplied screws and washers **D**. Tighten all screws securely.



BP24V15RT2U 4-Post Mounting

To install the BP24V15RT2U external battery pack in a 4-post rack, remove the mounting hole covers from the top and bottom sides of the battery pack **1**. To install the battery pack in a 4-post rack, attach the mounting ears to each side of the UPS using the included hardware **2**. With the help of an assistant, lift the battery pack and attach it to a standard rack with user-supplied hardware **3**.

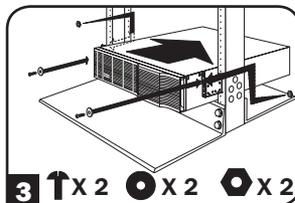
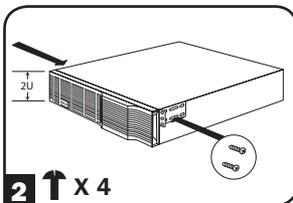
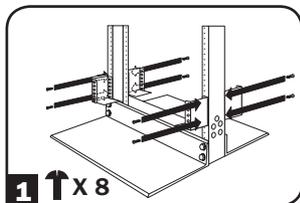


Mounting (2-Post Rack or Tower)

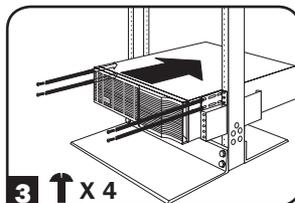
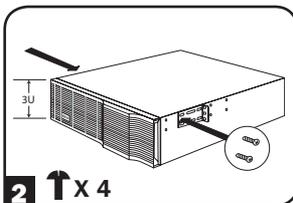
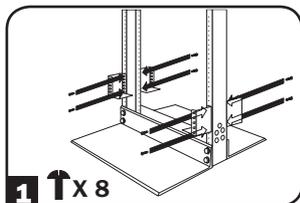
2-Post (Telecom) Mounting

Select external battery pack models include the hardware required for 2-post mounting. If this hardware did not come with your unit, a 2-Post Rackmount Installation Kit (Model 2POSTRMKITWM or 2POSTRMKITHD) may be ordered separately. Refer to the illustrations below for specific installation instructions covering 2U, 3U and 4U battery packs.

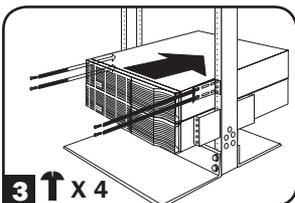
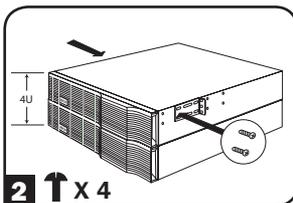
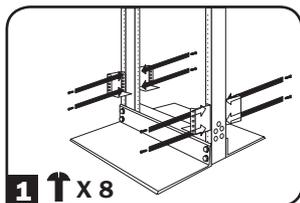
2U



3U



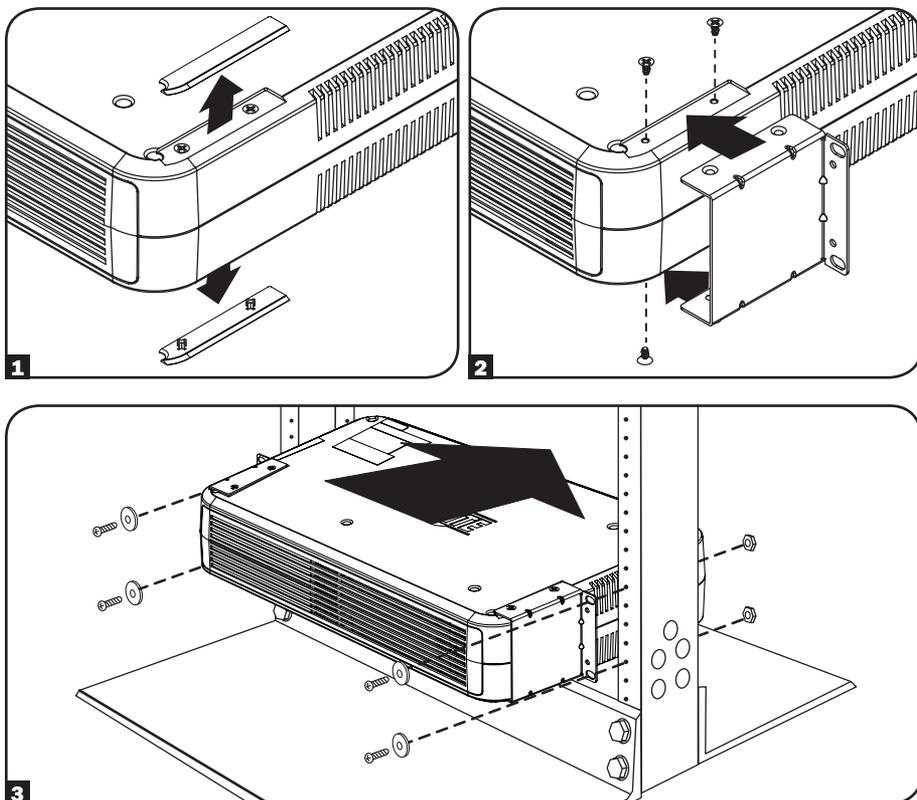
4U



Mounting (2-Post Rack or Tower)

BP24V15RT2U 2-Post Mounting

To install the BP24V15RT2U external battery pack in a 2-post rack, remove the mounting hole covers from the top and bottom sides of the pack **1**. Attach the mounting ears to each side of the UPS using the included hardware **2**. With the help of an assistant, lift the battery pack and attach it to a standard rack with user-supplied hardware **3**.



Important: Illustrations show the most common installation configurations; your model may vary. Use only the pre-drilled screw holes to attach mounting brackets to the sides of the battery pack. When installing battery packs into the rack, ensure the weight of the unit is evenly distributed.

Mounting (2-Post Rack or Tower)

Tower Mounting

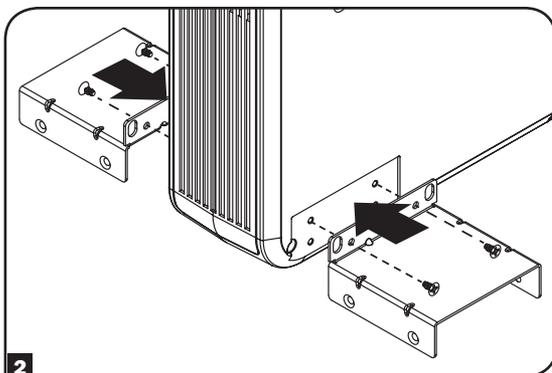
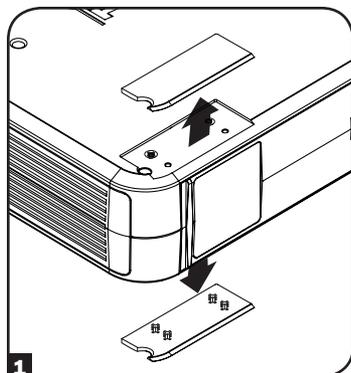
Select external battery pack models support tower mounting. For increased stability, Tripp Lite recommends the use of the 2-9USTAND (sold separately). Ensure the Battery Orientation Warning label **1** is not facing upward when installing the battery pack in tower orientation. Follow the instructions included with the 2-9USTAND to complete the installation.

WARNING
DO NOT INSTALL PRODUCT
WITH THIS LABEL
FACING UP

1

BP24V15RT2U Tower Mounting

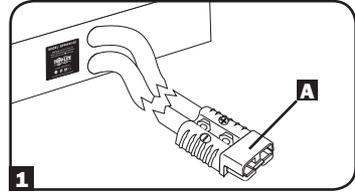
The BP24V15RT2U will stand in a tower position without the aid of the included hardware. For increased stability, Tripp Lite recommends removing the screw covers from each bottom side **1** and attaching the included hardware **2**. In either position, the user must determine the fitness of hardware and procedures before installation.



NOTICE: If Battery Orientation Warning labels are affixed to both sides of the battery pack, it can only support rack-mount installation.

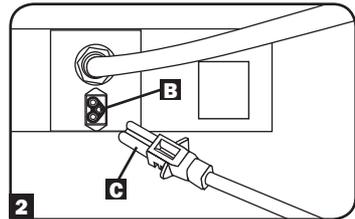
Connection

- 1 Select battery packs have a polarized plug **A** on an output cord permanently connected to the rear panel. Simply plug the output cord directly into the UPS external battery connector (refer to the UPS manual for external battery connector description and location).



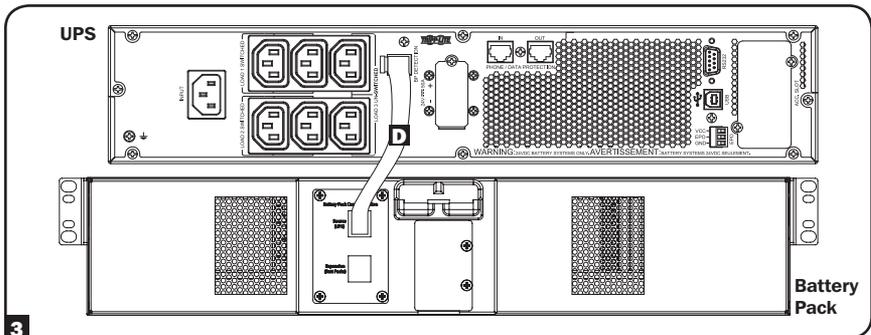
Note: Only one of these battery packs is generally connected to a UPS at one time. For longer runtime, use one or more Tripp Lite Battery Packs with daisy-chain capability.

- 2 Select battery packs feature daisy-chain capability for longer runtime **B**. To connect multiple battery packs to a single UPS for increased runtime, connect the cabled output connector of the first battery pack to the UPS system's external battery connector, then "daisy-chain" the others: **C** connect the corded output connector on the second battery pack to the daisy-chain input connector on the second pack, and so on. (Refer to your UPS Owner's Manual for external battery connection description and location.)



Note: Multiple battery pack arrays will provide longer runtimes, but will also require longer recharge times.

- 3 Select battery packs contain an external battery detection port on the rear panel. The battery packs should only be used with host UPS models that provide the same functionality. The UPS will automatically detect the external battery upon connection with the battery communication cable **D**. Check the UPS manual for compatible external battery pack models, configuration requirements and potential limitations. Battery packs are for use only with UPS systems supporting external battery pack detection cabling (this connection is not required if the UPS does not support this feature).



Maintenance

Battery packs require no maintenance but should be kept dry at all times. Avoid installation in locations with high heat and/or humidity. The battery packs should be kept fully charged by being connected to an active UPS system, not left in a depleted condition. Batteries left in a discharged state will suffer a permanent loss of capacity.

Troubleshooting

There is a fuse array inside the battery packs. If a heavy overload or short circuit is encountered, a fuse will open (blow). A battery pack with a blown fuse will deliver no output voltage at any load. A qualified technician must replace the fuses. Contact Tripp Lite Customer Support for additional information.

Storage

Disconnect your battery pack's power cable before storing. If you plan to store your battery pack for an extended period of time, fully recharge its batteries every three months by connecting it to a UPS that is connected to AC input for at least 12 hours.

Service

Your Tripp Lite product is covered by the warranty described in this manual. A variety of Extended Warranty and On-Site Service Programs are also available from Tripp Lite. For more information on service, visit www.tripplite.com/support. Before returning your product for service, follow these steps:

1. Review the installation and operation procedures in this manual to insure that the service problem does not originate from a misreading of the instructions.
2. If the problem continues, do not contact or return the product to the dealer. Instead, visit www.tripplite.com/support.
3. If the problem requires service, visit www.tripplite.com/support and click the Product Returns link. From here you can request a Returned Material Authorization (RMA) number, which is required for service. This simple on-line form will ask for your unit's model and serial numbers, along with other general purchaser information. The RMA number, along with shipping instructions will be emailed to you. Any damages (direct, indirect, special or consequential) to the product incurred during shipment to Tripp Lite or an authorized Tripp Lite service center are not covered under warranty. Products shipped to Tripp Lite or an authorized Tripp Lite service center must have transportation charges prepaid. Mark the RMA number on the outside of the package. If the product is within its warranty period, enclose a copy of your sales receipt. Return the product for service using an insured carrier to the address given to you when you request the RMA.

Warranty and Product Registration

2-Year Limited Warranty

Seller warrants this product, if used in accordance with all applicable instructions, to be free from original defects in material and workmanship for a period of 2 years from the date of initial purchase. If the product should prove defective in material or workmanship within that period, Seller will repair or replace the product, at its sole discretion.

THIS WARRANTY DOES NOT APPLY TO NORMAL WEAR OR TO DAMAGE RESULTING FROM ACCIDENT, MISUSE, ABUSE OR NEGLIGENCE. SELLER MAKES NO EXPRESS WARRANTIES OTHER THAN THE WARRANTY EXPRESSLY SET FORTH HEREIN. EXCEPT TO THE EXTENT PROHIBITED BY APPLICABLE LAW, ALL IMPLIED WARRANTIES, INCLUDING ALL WARRANTIES OF MERCHANTABILITY OR FITNESS, ARE LIMITED IN DURATION TO THE WARRANTY PERIOD SET FORTH ABOVE; AND THIS WARRANTY EXPRESSLY EXCLUDES ALL INCIDENTAL AND CONSEQUENTIAL DAMAGES. (Some states do not allow limitations on how long an implied warranty lasts, and some states do not allow the exclusion or limitation of incidental or consequential damages, so the above limitations or exclusions may not apply to you. This warranty gives you specific legal rights, and you may have other rights which vary from jurisdiction to jurisdiction).

WARNING: The individual user should take care to determine prior to use whether this device is suitable, adequate or safe for the use intended. Since individual applications are subject to great variation, the manufacturer makes no representation or warranty as to the suitability or fitness of these devices for any specific application.

Product Registration

Visit www.tripplite.com/warranty today to register your new Tripp Lite product. You'll be automatically entered into a drawing for a chance to win a FREE Tripp Lite product!*

* No purchase necessary. Void where prohibited. Some restrictions apply. See website for details.

Tripp Lite has a policy of continuous improvement. Specifications are subject to change without notice.



1111 W. 35th Street Chicago, IL 60609 USA • www.tripplite.com/support

Manual del propietario

Bancos de batería externas Serie BP

No conveniente para los usos móviles.

Introducción	13
Instrucciones de seguridad importantes	13
Montaje	14
Conexión	20
Mantenimiento	21
Garantía	22
English	1
Français	23
Русский	34



1111 W. 35th Street Chicago, IL 60609 USA • www.tripplite.com/support

Copyright ©2017 Tripp Lite. Todos los derechos reservados

Introducción

Los bancos de baterías externas Serie BP de Tripp Lite están diseñados para usarse con diferentes UPS de Tripp Lite equipados con conectores para bancos externos de baterías.

Instrucciones de seguridad importantes



GUARDE ESTAS INSTRUCCIONES

¡ADVERTENCIA! Los anaqueles de montaje no están diseñados para soportar más de un banco de baterías. No apile múltiples bancos en un sólo juego de anaqueles. El incumplimiento de esta advertencia puede originar daños al producto o lesiones personales.

- **Sea precavido al levantar bancos de baterías. Debido a su gran peso, se requieren por lo menos dos personas para ayudarlo a levantar e instalar dichos bancos.**
- **Asegúrese que sus bancos de baterías y su UPS usen el mismo voltaje de corriente continua antes de conectarlos.**
- **El uso de este equipo en aplicaciones de soporte de vida en donde la falla de este equipo pueda razonablemente hacer suponer que causará fallas en el equipo de soporte de vida o afecte significativamente su seguridad o efectividad, no está recomendado.**
- Los procedimientos de montaje recomendados son para tipos de bastidores comunes y pueden no ser apropiados para todas las configuraciones de bastidor. El usuario debe determinar la idoneidad del bastidor, de los accesorios para el montaje en pared y de los procedimientos, antes del montaje.
- Cuando se conectan varios bancos de baterías a un sólo UPS, estos deben tener aproximadamente la misma antigüedad.
- Es normal que se produzcan chispas al conectar baterías externas.
- No desconecte las baterías externas del UPS mientras éste se encuentra en operación con energía de batería, debido a que puede formarse un arco peligroso.
- Debido a que las baterías presentan un peligro de choque eléctrico y quemaduras por las altas corrientes de cortocircuito, tome las precauciones adecuadas. No deseche las baterías en un incinerador. No abra las baterías. No ponga los terminales de la batería en corto o en puente con ningún objeto. Apague y desconecte el UPS antes de reemplazar la batería. Sólo debe cambiar las baterías personal técnico debidamente capacitado. Use herramientas con mangos aislados y reemplace las baterías existentes con el mismo número y tipo de baterías nuevas (plomo-ácido selladas). Las baterías del UPS son reciclables. Consulte la reglamentación local para los requisitos de disposición de desechos o visita <http://www.tripplite.com/support/recycling-program> para reciclar información. Tripp Lite ofrece una línea completa de Cartuchos de reemplazo de batería para UPS (R.B.C.). Visite Tripp Lite en la web en <http://www.tripplite.com/products/battery-finder/> para localizar la batería de reemplazo específica para su UPS.

Montaje (Bastidor de 4 postes)

Instale su módulo de baterías en un rack de 4 postes o 2 postes o en un gabinete o en posición de torre vertical. El usuario debe determinar la idoneidad de los materiales y accesorios, así como de los procedimientos antes del montaje. Si los materiales y procedimientos no son adecuados para su aplicación, contacte con el fabricante de su bastidor. Los procedimientos descritos en este manual son para bastidores comunes y de tipo caja y podrían no ser apropiados para todas las aplicaciones.

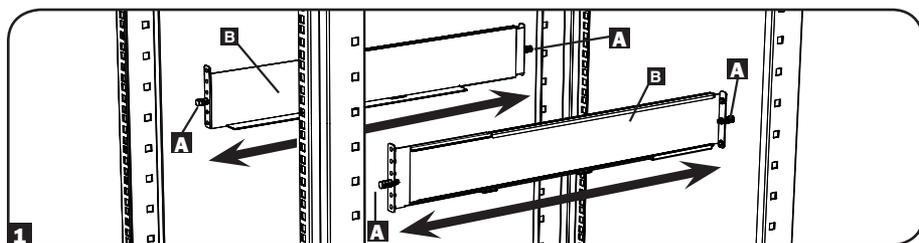
Montaje de 4 postes

La mayoría de los módulos de baterías externas incluyen el hardware requerido para su instalación en 4 postes. Si este hardware no venía con su unidad, un Juego Ajustable para Instalación en Rack de 4 postes (modelos: 4POSTRAILKIT o 4POSTRAILKITHD) puede ser solicitado, por separado.

- 1 Los ganchos plásticos **A** incluidos mantendrán temporalmente los estantes vacíos **B** mientras usted coloca los accesorios de instalación permanentes. Inserte un gancho cerca del centro del soporte frontal y posterior de cada estantes como se muestra. (Cada soporte frontal tiene seis orificios y cada soporte posterior posee tres orificios.) Los ganchos encajarán en su lugar.

Después de colocar los ganchos, expanda cada estante para que se ajuste con la profundidad de los rieles de su rack. Los ganchos encajarán en los orificios cuadrados en los rieles del rack para sostener los estantes. Consulte las etiquetas de la unidad del rack para confirmar que los estantes estén nivelados en todas las direcciones.

Nota: El reborde de soporte de cada estante debe quedar mirando hacia adentro.



Montaje (Bastidor de 4 postes)

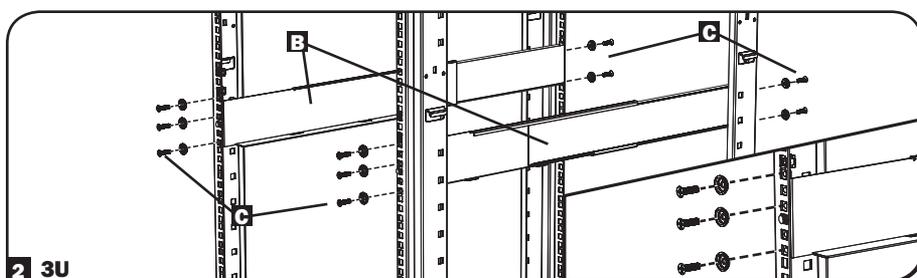
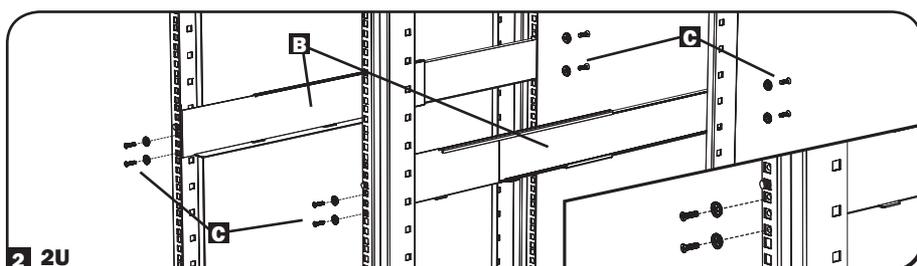
2 Asegure de manera permanente los estantes **B** a los rieles de montaje usando los tornillos incluidos y las arandelas acopadas **C** como se muestra.

- Para montaje de equipos de 2U, coloque cuatro tornillos en total en la parte frontal y cuatro tornillos en total en la parte posterior.
- Para montaje de equipos de 3U, coloque seis tornillos en total en la parte frontal y cuatro tornillos en total en la parte posterior.

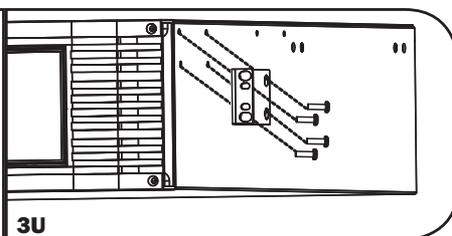
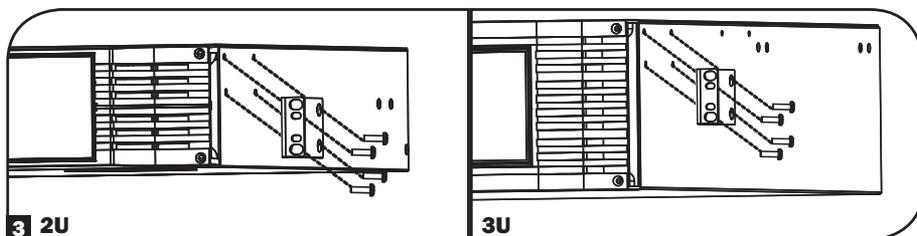
Apriete todos los tornillos antes de continuar.



Advertencia: No intente instalar su equipo hasta que haya insertado y apretado los tornillos necesarios. Los ganchos plásticos no soportarán el peso de su equipo.

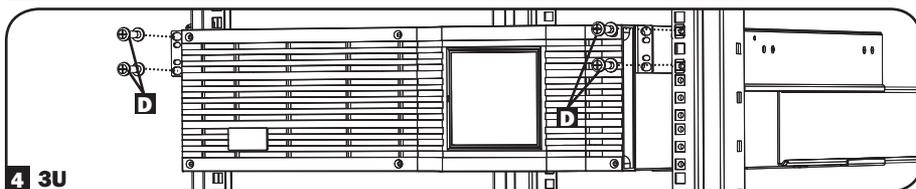
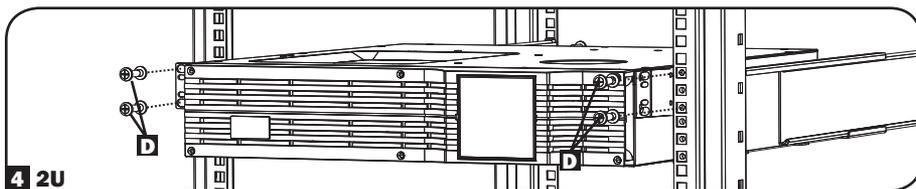


3 Coloque los soportes de montaje de su equipo en los orificios de montaje delanteros del gabinete usando los accesorios que vienen incluidos con su equipo. Las “orejas” del soporte de montaje deben quedar mirando hacia adelante. (Puede que algunos equipos tengan soportes de montajes preinstalados o integrados.)



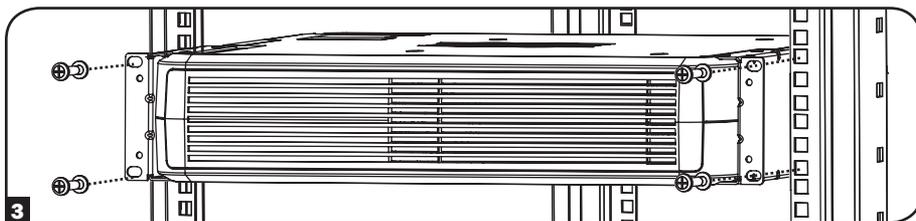
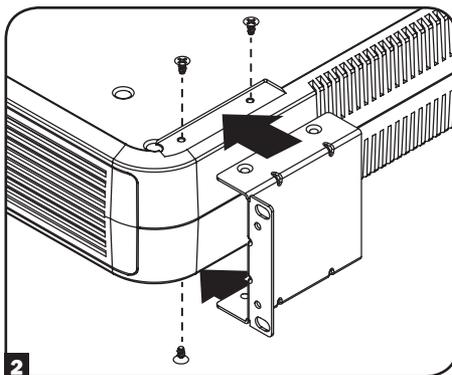
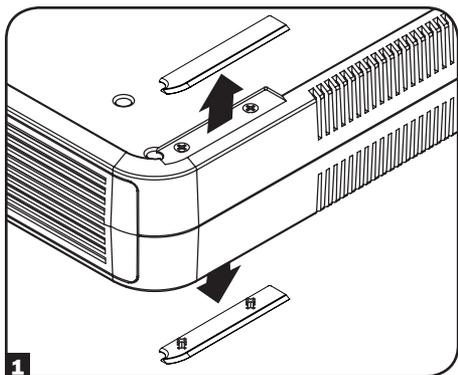
Montaje (Bastidor de 4 postes)

- 4** Con la ayuda de un asistente (en caso de ser necesario), levante su equipo y deslícelo en los estantes. Coloque los soportes de montaje del equipo en los rieles de montaje delanteros con los tornillos y arandelas **D** suministradas por el usuario. Apriete todos los tornillos de manera segura.



Instalación en 4 Postes del BP24V15RT2U

Para instalar el módulo de baterías externas BP24V15RT2U en un rack de 4 postes, retire las tapas de las perforaciones de instalación de la parte superior e inferior del módulo de baterías **1**. Para instalar un módulo de baterías en un rack de 4 postes, coloque las orejas de instalación a cada lado del UPS usando los accesorios incluidos **2**. Con la ayuda de un asistente, levante el módulo de baterías y colóquelo en un rack estándar con los accesorios suministrados por el usuario **3**.

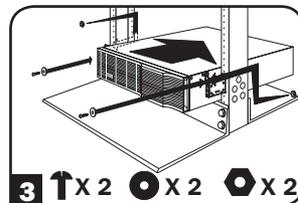
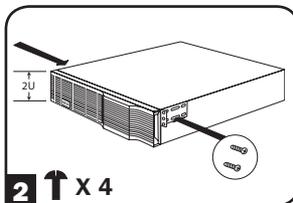
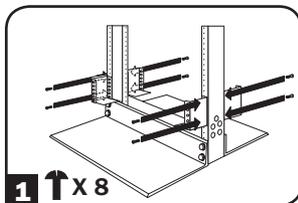


Montaje (Rack de 2 Postes o Torre)

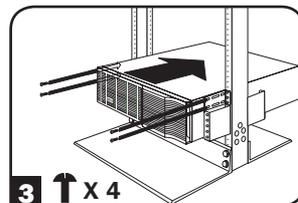
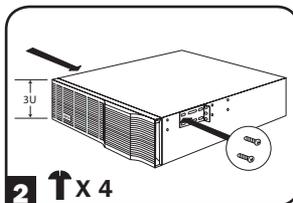
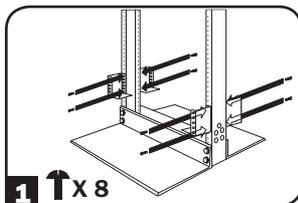
Montaje de 2 postes (Telecomunicaciones)

Para instalar módulos de baterías para rack, en racks de 2 postes, se requiere un Juego para Instalación en Rack de 2 postes de Tripp Lite (Modelo 2POSTRMKITWM o 2POSTRMKITHD). Si este Juego no venía con su unidad, puede ser solicitado, por separado. Refiérase a la ilustración de abajo para instrucciones específicas de instalación que abarca a los módulos de baterías 2U, 3U y 4U.

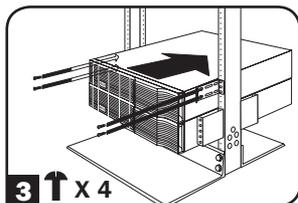
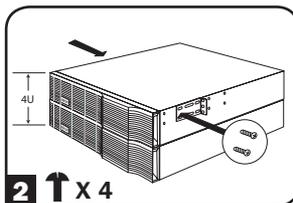
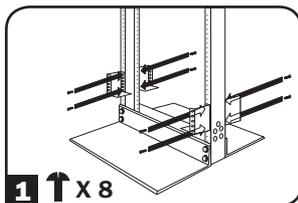
2U



3U



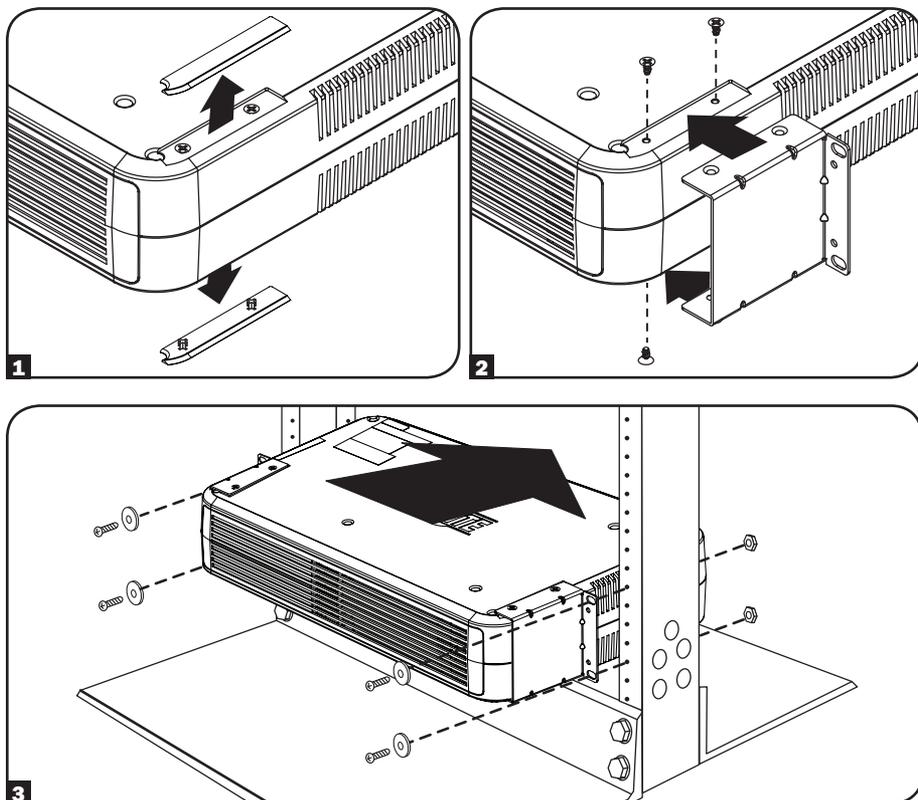
4U



Montaje (Rack de 2 Postes o Torre)

Instalación en 2 Postes del BP24V15RT2U

Para instalar el módulo de baterías externas BP24V15RT2U en un rack de 2 postes, retire las tapas de las perforaciones de instalación de la parte superior e inferior del módulo **1**. Coloque las orejas de instalación a cada lado del UPS usando los accesorios incluidos **2**. Con la ayuda de un asistente, levante el módulo de baterías y colóquelo en un rack estándar con los accesorios suministrados por el usuario **3**.



Importante: Las ilustraciones muestran las configuraciones de instalación más típicas; su modelo puede variar. Use solamente los agujeros, para los tornillos, preperforados para fijar las abrazaderas a los lados del módulo de baterías. Cuando instale el módulo de baterías en el rack, asegúrese que el peso de la unidad esté uniformemente distribuido.

Montaje (Rack de 2 Postes o Torre)

Instalación en Torre

Seleccione modelos de módulos de baterías externas que soporten la instalación en torre. Para aumentar la estabilidad, Tripp Lite recomienda el uso del 2-9USTAND (vendido por separado). Asegure que la etiqueta de advertencia de orientación de la batería **1** no esté viendo hacia arriba al instalar el módulo de baterías en orientación de torre. Siga las instrucciones incluidas con el 2-9USTAND para completar la instalación.

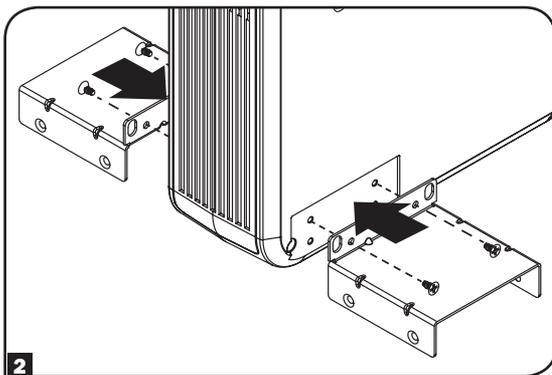
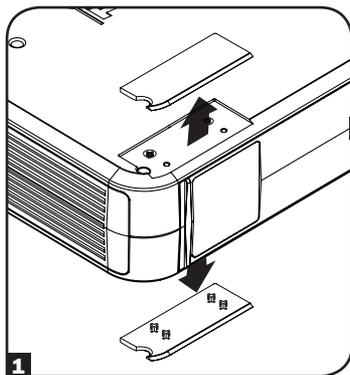
WARNING
DO NOT INSTALL PRODUCT
WITH THIS LABEL
FACING UP

1

*"ADVERTENCIA"
NO INSTALE EL PRODUCTO CON
ESTA ETIQUETA VIENDO HACIA
ARRIBA*

Instalación en Torre del BP24V15RT2U

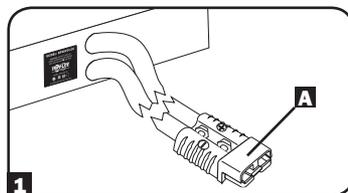
El BP24V15RT2U se mantendrá en posición de torre sin ayuda de los accesorios incluidos. Para aumentar la estabilidad, Tripp Lite recomienda retirar las cubiertas de los tornillos de cada lado inferior **1** y colocar los accesorios incluidos **2**. Antes de la instalación en cualquier posición, el usuario debe determinar que los accesorios y procedimientos sean los adecuados.



AVISO: Si las etiquetas de advertencia de la orientación de la batería están adheridas a ambos costados del módulo de baterías, solo permite instalación en rack.

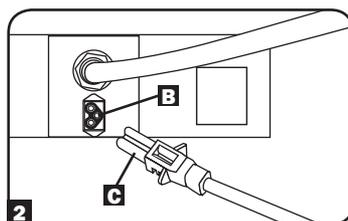
Conexión

- 1 Los bancos de baterías exclusivos tienen un enchufe polarizado **A** en un cordón de salida permanentemente conectado con el panel posterior. Simplemente conecte el cordón de salida directamente en el conector de la batería externa de su UPS. (Vea su manual del UPS para la descripción y ubicación del conector de la batería externa).



Nota: Generalmente, sólo uno de estos bancos de baterías está conectado con un UPS en un momento dado. Para un mayor tiempo de respaldo usar uno o más bancos de baterías de Tripp Lite con capacidad de encadenamiento.

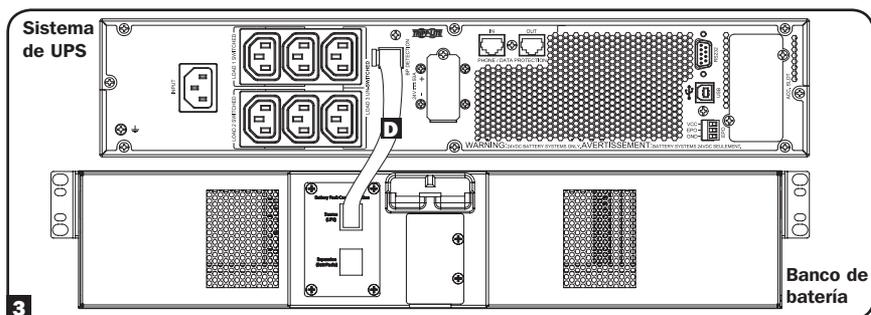
- 2 Módulos de baterías selectos cuentan con capacidad de encadenado para una autonomía extendida **B**. Para conectar múltiples módulos de baterías a un solo UPS para una autonomía aumentada, conecte el conector de salida cableado del primer módulo de baterías al conector de entrada del sistema UPS, después "encadene"



los otros: **B** conecte el conector de salida cableado en el segundo módulo de baterías al conector de entrada de encadenado en el segundo módulo y continúe así. (Refiérase al Manual del propietario de su UPS para consultar la descripción de la conexión y ubicación de la batería externa.)

Nota: Una disposición de varios bancos de baterías proporcionará mayor tiempo de respaldo, pero también requerirá mayor tiempo de recarga.

- 3 Módulos de baterías selectos contienen un puerto para detección de batería externa en el panel posterior. Los módulos de baterías solo deben usarse con modelos de UPS anfitriones que proporcionen la misma funcionalidad. El UPS detectará automáticamente la batería externa una vez conectada con el cable de comunicación de la batería **D**. Consulte en el manual del UPS los modelos de módulos de baterías externas, los requisitos de configuración y limitaciones potenciales. Los módulos de baterías son para uso únicamente con sistemas UPS que soporten el cableado de detección de módulo de baterías externas (esta conexión no se requiere si el UPS no soporta esta característica).



Mantenimiento

Los bancos de baterías no requieren mantenimiento pero deben mantenerse secos en todo momento. Evite su instalación en lugares con mucho calor o humedad. Los bancos de baterías deben mantenerse completamente cargados mediante su conexión con un sistema UPS activo; no deben dejarse agotados. Las baterías que se dejan descargadas sufrirán una pérdida de capacidad permanente.

Solución de problemas

Hay un grupo de fusibles dentro de los bancos de baterías. Si se produce una fuerte sobrecarga o un cortocircuito, se abrirá (disparará) un fusible. Un banco de baterías con un fusible disparado no permitirá un voltaje de salida para ninguna carga. Un técnico calificado debe reemplazar los fusibles. Contacte con el Soporte al cliente de Tripp Lite para información adicional.

Almacenamiento

Desconecte el cable de alimentación de su banco de baterías antes de almacenarlo. Si planea almacenar su banco de baterías por un período prolongado de tiempo, recargue completamente sus baterías cada tres meses conectándolas a un UPS que esté conectado a una entrada de corriente alterna al menos durante 12 horas.

Servicio técnico

Su producto Tripp Lite está cubierto por la garantía descrita en este manual. Tripp Lite también pone a su disposición una variedad de Garantías extendidas y Programas de servicio técnico en el sitio. Si desea más información sobre el servicio técnico, visite www.tripplite.com/support. Antes de devolver su producto para servicio técnico, siga estos pasos:

1. Revise la instalación y los procedimientos de operación que se encuentran en este manual para asegurarse de que el problema de servicio no se debe a una mala lectura de las instrucciones.
2. Si el problema persiste, no se comunique ni devuelva el producto al mayorista. En cambio, visite www.tripplite.com/support.
3. Si el problema exige servicio técnico, visite www.tripplite.com/support y haga clic en el enlace Devoluciones de productos. Desde aquí puede solicitar un número de Autorización de Material Devuelto (RMA), que se necesita para el servicio técnico. En este sencillo formulario en línea se le solicitarán los números de serie y modelo de la unidad, junto con otra información general del comprador. El número RMA y las instrucciones para el envío se le enviarán por correo electrónico. La presente garantía no cubre ningún daño (directo, indirecto, especial o consecucional) del producto que ocurra durante el envío a Tripp Lite o a un centro de servicio técnico de Tripp Lite autorizado. Los productos enviados a Tripp Lite o a un centro de servicio técnico de Tripp Lite autorizado deben tener prepagos los cargos de transporte. Escriba el número RMA en el exterior del embalaje. Si el producto se encuentra dentro del período de garantía, adjunte una copia de su recibo de venta. Envíe el producto para servicio técnico mediante un transportador asegurado a la dirección que se le proporcionó cuando solicitó el número RMA.

Garantía

Garantía limitada por 1 año

El vendedor garantiza este producto, si se usa de acuerdo con todas las instrucciones aplicables, de que está libre de defectos en material y mano de obra por un período de 1 año a partir la fecha de compra inicial. Si el producto prueba ser defectuoso en material o mano de obra dentro de ese período, el vendedor reparará o reemplazará el producto a su entera discreción.

ESTA GARANTÍA NO APLICA AL DESGASTE NORMAL O A DAÑOS RESULTANTES DE ACCIDENTES, MAL USO, ABUSO O NEGLIGENCIA. EL VENDEDOR NO OTORGA GARANTÍAS EXPRESAS DISTINTAS DE LA ESTIPULADA AQUÍ. EXCEPTO A LA EXTENSIÓN PROHIBIDA POR LA LEY APLICABLE, TODAS LAS GARANTÍAS IMPLÍCITAS, INCLUYENDO TODAS LAS GARANTÍAS DE COMERCIALIZACIÓN O IDONEIDAD, ESTÁN LIMITADAS EN DURACIÓN AL PERÍODO DE GARANTÍA ESTABLECIDO; Y ESTA GARANTÍA EXCLUYE EXPRESAMENTE TODOS LOS DAÑOS INCIDENTALES Y CONSECUENCIALES. (Algunos estados no permiten limitaciones en cuanto dura una garantía y algunos estados no permiten la exclusión de limitación de daños incidentales o consecuenciales, de modo que las limitaciones anteriores pueden no aplicar para usted. Esta garantía le otorga derechos legales específicos y usted puede tener otros derechos que pueden variar de una jurisdicción a otra).

ADVERTENCIA: Antes de usarlo, cada usuario debe tener cuidado de determinar si este dispositivo es adecuado o seguro para el uso previsto. Ya que las aplicaciones individuales están sujetas a gran variación, el fabricante no garantiza la adecuación de estos dispositivos para alguna aplicación específica.

Tripp Lite tiene una política de mejoramiento continuo. Las especificaciones están sujetas a cambio sin previo aviso.



1111 W. 35th Street Chicago, IL 60609 USA • www.tripplite.com/support

Manuel de l'utilisateur

Packs de Batteries Externes Série BP

Non approprié aux applications mobiles.

Introduction	24
Consignes de Sécurité Importantes	24
Montage	25
Connexion	31
Maintenance	32
Garantie	33
English	1
Español	12
Русский	34



1111 W. 35th Street Chicago, IL 60609 USA • www.tripplite.com/support

Copyright ©2017 Tripp Lite. Tous droits réservés.

Introduction

Les Packs de Batteries Externes Série BP Tripp Lite sont conçus pour utilisation avec différents systèmes d'alimentation continue sans coupure Tripp Lite équipés de connecteurs de pack de batteries externes.

Consignes de Sécurité Importantes



CONSERVER CES INSTRUCTIONS

AVERTISSEMENT ! Les étagères de montage ne sont pas prévues pour supporter plus d'un pack de batteries. Ne pas empiler plusieurs packs de batteries sur un seul ensemble d'étagères de montage. Le non-respect de cet avertissement peut entraîner l'endommagement du produit et/ou un risque de blessures corporelles personnelles.

- **Prendre toutes précautions pour lever les packs de batteries. Du fait du poids considérable de tous les packs de batteries, au moins deux personnes doivent aider à leur levage et leur installation.**
- **S'assurer que vos packs de batteries et votre système d'alimentation continue sans coupure utilisent la même tension CC avant de les connecter.**
- **Il est déconseillé d'utiliser cet équipement dans des applications médicales où une panne de cet équipement pourrait normalement provoquer la panne de l'équipement de survie ou altérer notablement sa sécurité ou son efficacité.**
- Les procédures de montage conseillées sont pour les types de baie ordinaires et peuvent ne pas être appropriées pour toutes les configurations de baie. L'utilisateur doit déterminer l'aptitude de la baie, du matériel de montage mural, et des procédures avant le montage.
- Lors de la connexion de plusieurs packs de batteries à un seul système d'alimentation continue sans coupure, les packs de batteries doivent avoir approximativement le même âge.
- Il est normal que des étincelles se produisent lors de la connexion de batteries externes.
- Ne pas débrancher les batteries externes du système d'alimentation continue sans coupure quand il fonctionne sur l'alimentation de la batterie, en raison de la possibilité d'amorçage d'arc dangereux.
- Parce que les batteries présentent un risque de choc électrique et de courant de court-circuit élevé, prenez les précautions nécessaires. Ne pas jeter les batteries au feu. Ne pas ouvrir les batteries. Ne pas établir de court-circuit ou de pont entre les bornes de la batterie avec un quelconque objet. Débrancher et éteindre l'UPS avant de remplacer la batterie. Le remplacement de la batterie doit être confié à du personnel de service qualifié. Utiliser des outils ayant des poignées isolées et remplacer les batteries existantes par des batteries neuves du même numéro et du même type (batterie sans entretien). Les batteries UPS sont recyclables. Consultez les codes locaux concernant les exigences d'élimination des déchets ou visiter <http://www.tripplite.com/support/recycling-program> pour information de recycler. Tripp Lite offre une gamme complète de cartouches de batterie de remplacement de système UPS (R.B.C.). Rendez visite à Tripp Lite sur le Web à <http://www.tripplite.com/products/battery-finder/> pour trouver la batterie de remplacement spécifique à votre UPS.

Montage (Baie à 4 supports)

Monter le module de batteries dans un bâti à 2 ou 4 montants ou dans une enceinte pour bâti, ou encore en position de tour verticale. L'utilisateur doit déterminer l'aptitude du matériel et des procédures avant le montage. Si le matériel et les procédures ne sont pas appropriés pour votre application, contacter le fabricant de votre baie ou de votre enceinte de baie. Les procédures décrites dans ce manuel sont pour les types de baie et d'enceinte de baie ordinaires et peuvent ne pas être appropriées pour toutes les applications.

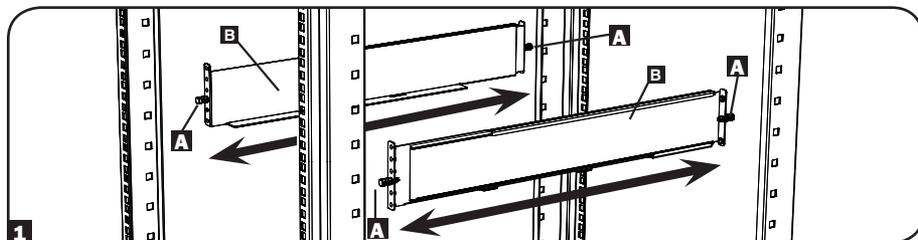
Montage à 4 supports

La plupart des blocs batteries sont livrés avec le matériel nécessaire au montage sur 4 postes. Si ce n'est pas le cas de votre unité, vous pouvez commander un kit d'étagère réglable pour montage sur bâti 4 postes (modèles : 4POSTRAILKIT ou 4POSTRAILKITHD) directement auprès.

- 1 Les chevilles en plastique **A** supporteront temporairement les étagères vides **B** pendant que vous installez le matériel de support permanent. Insérer une cheville près du centre du support de montage avant et arrière de chaque étagère comme montré. (Chaque support de montage avant a six trous et chaque support de montage arrière a trois trous.) Les chevilles s'enclencheront.

Après avoir installé les chevilles, agrandir chaque étagère pour appairier la profondeur les rails de votre armoire. Les chevilles passeront à travers les trous rectangulaires dans les rails d'armoire pour supporter les étagères. Se référer aux étiquettes de l'armoire pour confirmer que les étagères sont bien nivelées dans toutes les directions.

Remarque : Le rebord de support de chaque étagère doit faire face à l'intérieur.



Montage (Baie à 4 supports)

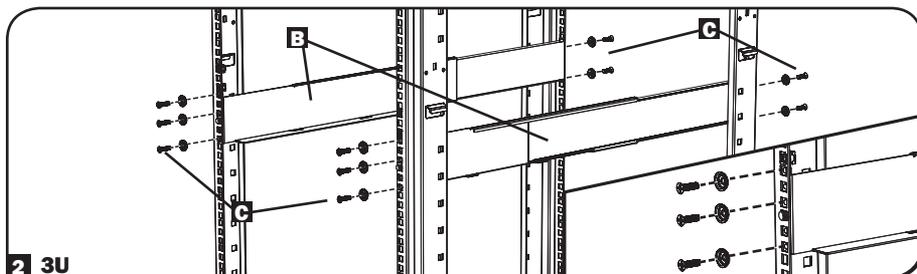
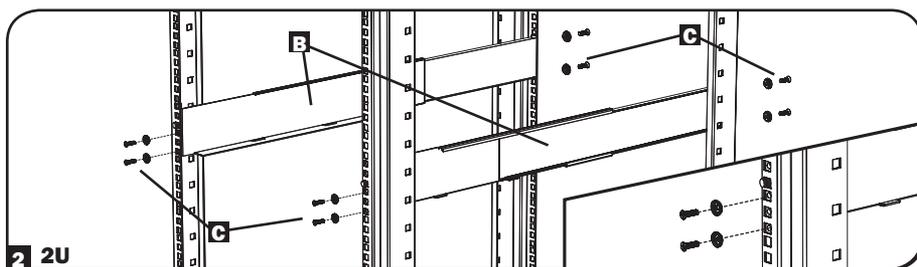
- 2** Attacher les étagères **B** aux rails de support de manière permanente en utilisant les vis et les rondelles cuvettes **C** incluses.

- Pour le montage du matériel 2U, placer quatre vis en tout à l'avant et quatre vis en tout à l'arrière.
- Pour le montage du matériel 3U, placer six vis en tout à l'avant et quatre vis en tout à l'arrière.

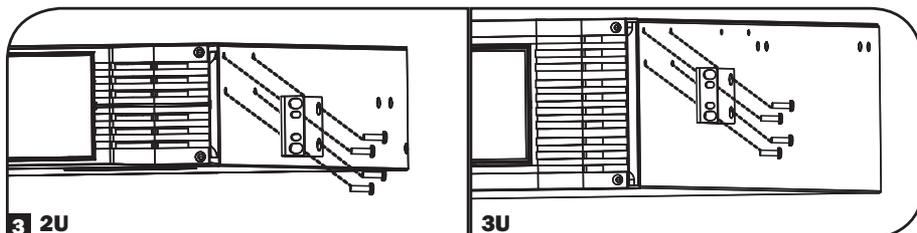
Bien serrer toutes les vis avant de continuer.



Avertissement : Ne pas essayer d'installer votre matériel jusqu'à ce que vous ayez inséré et bien serré toutes les vis nécessaires. Les chevilles en plastique ne supporteront pas le poids de votre matériel.

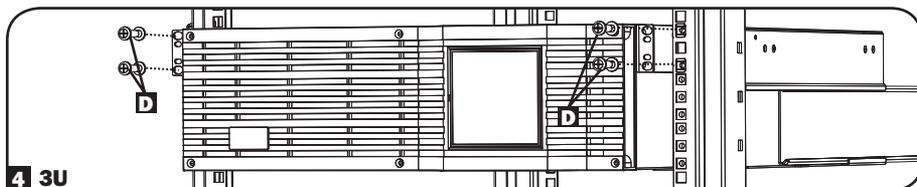
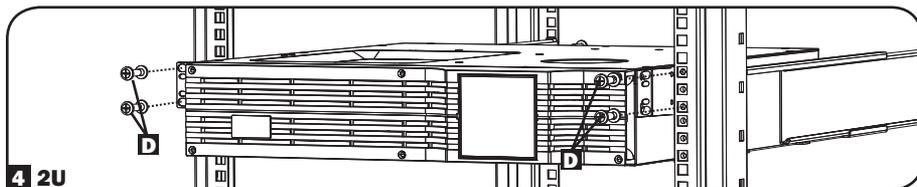


- 3** Attacher les supports de votre matériel aux trous de montage avant du module à l'aide de la ferrure incluse avec votre matériel. Les « oreilles » du support de fixation devraient faire face vers l'avant. (Du matériel peut avoir des supports de fixation intégrés ou préinstallés.)



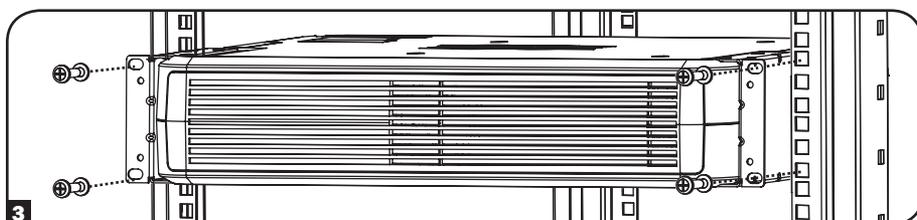
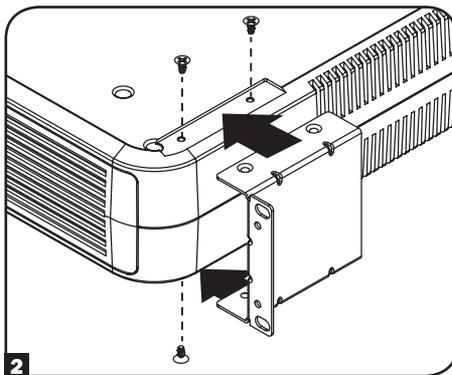
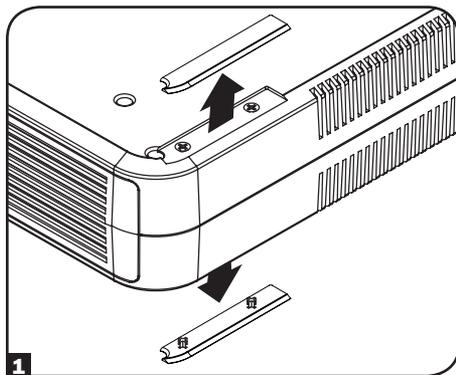
Montage (Baie à 4 supports)

- 4** Faites appel à un aide (au besoin), pour soulever votre matériel et le glisser sur les étagères. Attacher les supports de fixation du matériel aux rails de support avant avec les vis et les rondelles fournies par l'utilisateur **D**. Serrer solidement toutes les vis.



BP24V15RT2U Montage à 4 montants

Pour installer le module de batteries externes BP24V15RT2U dans un bâti à 4 montants, retirer les couvercles des trous de montage des côtés supérieur et inférieur du module de batteries **1**. Pour installer le module de batteries dans un bâti à 4 montants, fixer les oreilles de montage à chaque côté de l'onduleur en utilisant la quincaillerie incluse **2**. Avec l'aide d'un assistant, soulever le module de batteries et le fixer à un bâti standard avec la quincaillerie fournie par l'utilisateur **3**.

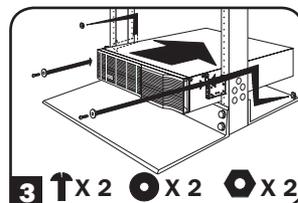
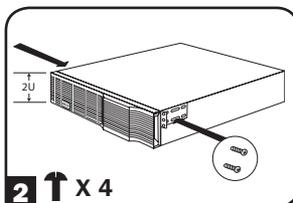
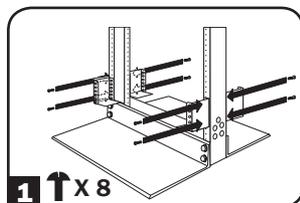


Montage (Bâti à 2 montants ou tour)

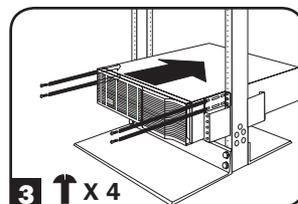
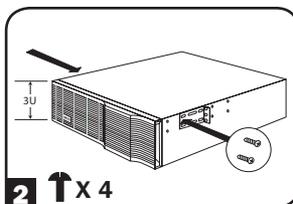
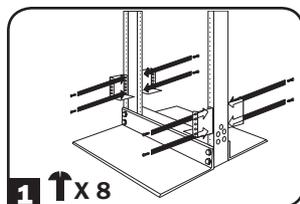
Montage à 2 supports (Telecom)

Pour installer des blocs batteries à montage sur bâti sur des bûts 2 postes, vous devez disposer d'un kit d'installation pour montage sur bâti 2 postes de Tripp Lite (modèle 2POSTRMKITWM ou 2POSTRMKITHD). Si votre unit  est livr e sans ce kit, il est possible de le commander directement aupr es. Reportez-vous aux illustrations ci-dessous pour d ecouvrir les consignes d'installation sp ecifiques des blocs batteries 2U, 3U et 4U.

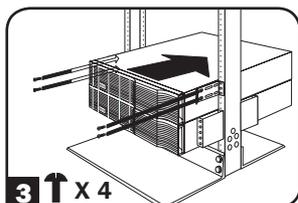
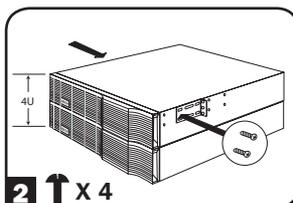
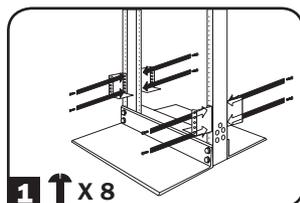
2U



3U



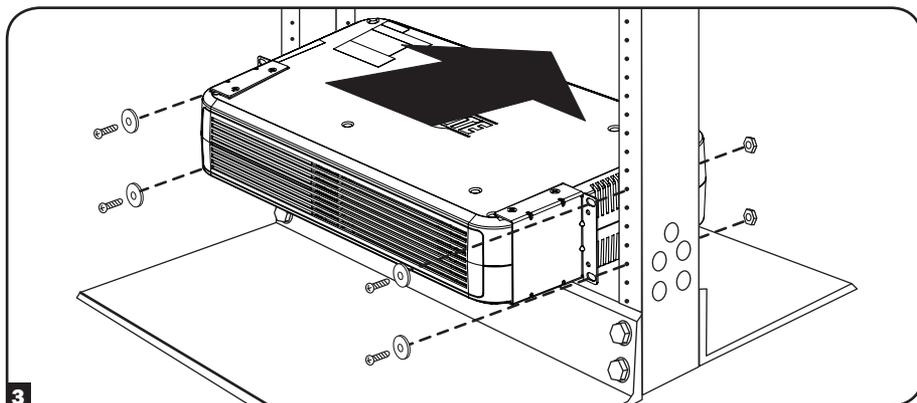
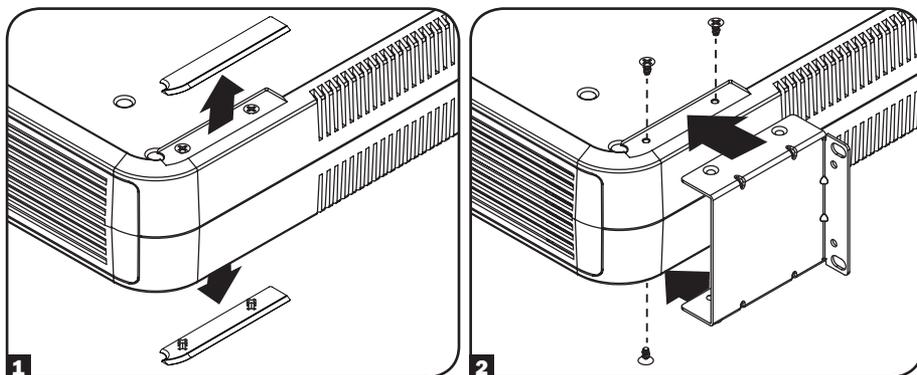
4U



Montage (Bâti à 2 montants ou tour)

BP24V15RT2U Montage à 2 montants

Pour installer le module de batteries externes BP24V15RT2U dans un bâti à 2 montants, retirer les couvercles des trous de montage des côtés supérieur et inférieur du module **1**. Fixer les oreilles de montage à chaque côté de l'onduleur en utilisant la quincaillerie incluse **2**. Avec l'aide d'un assistant, soulever le module de batteries et le fixer à un bâti standard avec la quincaillerie fournie par l'utilisateur **3**.



Important : ces illustrations présentent les configurations d'installation les plus fréquentes ; votre modèle peut être différent. Utilisez uniquement les avant-trous pour fixer les supports de montage sur les côtés du bloc batterie. Lors de l'installation des blocs batteries sur le bâti, assurez-vous que le poids de l'unité est uniformément réparti.

Montage (Bâti à 2 montants ou tour)

Montage en tour

Certains modèles de modules de batteries prennent en charge le montage en tour. Pour une stabilité accrue, Tripp Lite recommande d'utiliser le 2-9USTAND (vendu séparément). S'assurer que l'étiquette d'avertissement sur l'orientation des batteries **1** n'est pas pointée vers le haut au moment d'installer le module de batterie en tour. Suivre les instructions incluses avec le 2-9USTAND pour terminer l'installation.

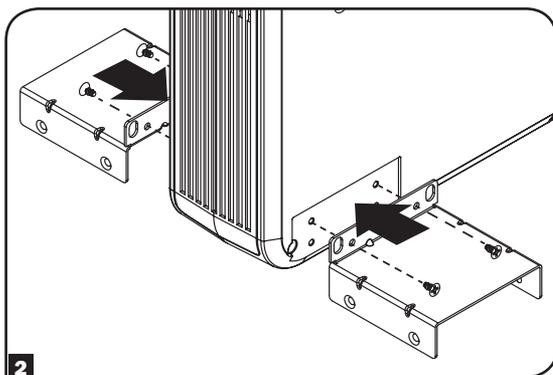
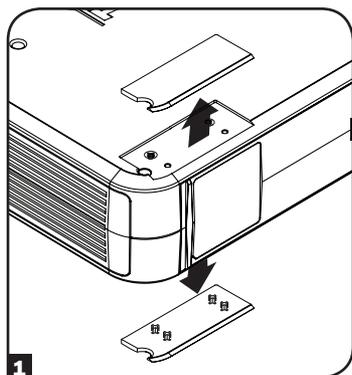
WARNING
DO NOT INSTALL PRODUCT
WITH THIS LABEL
FACING UP

1

« AVERTISSEMENT »
NE PAS INSTALLER LE PRODUIT
AVEC CETTE ÉTIQUETTE POINTÉE
VERS LE HAUT.

BP24V15RT2U Montage en tour

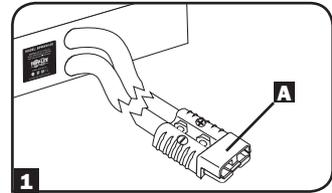
Le BP24V15RT2U sera logé dans une position en tour sans l'aide de la quincaillerie incluse. Pour une stabilité accrue, Tripp Lite recommande de retirer les couvercles des vis de chacun des côtés **1** et de fixer la quincaillerie incluse **2**. Dans l'une ou l'autre position, l'utilisateur doit déterminer l'aptitude de la quincaillerie et des procédures avant l'installation.



AVIS : Si les étiquettes d'avertissement sur l'orientation des batteries sont apposées sur les deux côtés du module de batteries, il ne peut prendre en charge que l'installation en bâti.

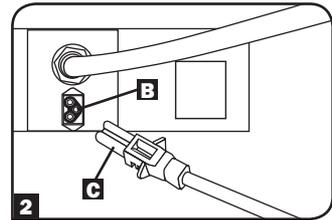
Connexion

- 1** Les packs de batteries de sélection ont une prise polarisée **A** sur un cordon de sortie connecté en permanence au panneau arrière. Brancher simplement le cordon de sortie directement dans le connecteur de batterie externe de votre système d'alimentation continue sans coupure. (Voir le manuel de votre système d'alimentation continue sans coupure pour la description et l'emplacement du connecteur de batterie externe).



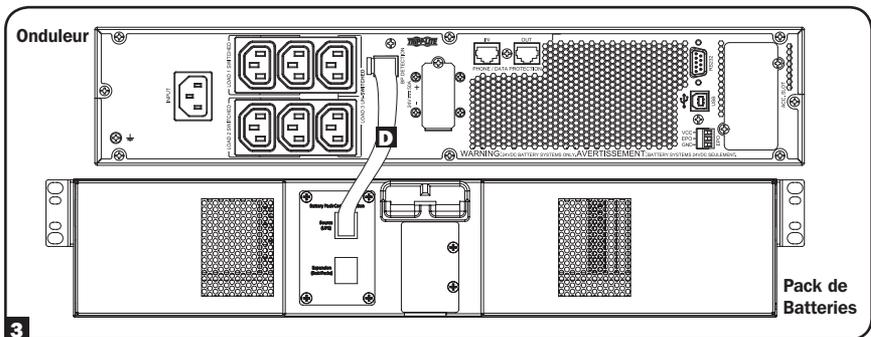
Remarque : Qu'un seul de ces packs de batteries est en règle générale connecté à un système d'alimentation continue sans coupure à un moment. Pour un temps de fonctionnement plus long, utiliser un ou plusieurs packs de batteries Tripp Lite avec capacité de chaînage.

- 2** Certains modules de batteries comprennent une fonctionnalité de connexion en guirlande pour une durée de fonctionnement accrue **B**. Pour raccorder les modules de batteries à un seul onduleur pour un temps de fonctionnement accru, raccorder le connecteur de sortie câblé du premier module de batteries au connecteur de batteries externes de l'onduleur, puis raccorder les autres « en guirlande » : **C** raccorder le connecteur de sortie câblé au second module de batteries au connecteur d'entrée en guirlande sur le second module, et ainsi de suite. (Consulter le manuel de l'utilisateur de l'onduleur pour la description et l'emplacement de la connexion des batteries externes.).



Remarque : Plusieurs rangées de packs de batteries assureront des durées de fonctionnement plus longues, mais nécessiteront aussi des temps de recharge plus longs.

- 3** Certains blocs de batteries comportent un port de détection de batterie externe sur le panneau arrière. Les blocs de batteries ne devraient être utilisés qu'avec des modèles d'onduleurs hôtes qui offrent la même fonctionnalité. L'onduleur détectera automatiquement la batterie externe au moment de la connexion avec le câble de communication de la batterie **D**. Consulter le manuel de l'onduleur pour les modèles de bloc de batteries compatibles, les exigences de la configuration et les limites potentielles. Les blocs de batteries doivent être utilisés seulement avec les onduleurs prenant en charge le câblage de détection de bloc de batteries (cette connexion n'est pas requise si l'onduleur ne prend pas en charge cette fonctionnalité).



Maintenance

Les packs de batteries ne nécessitent pas de maintenance, mais doivent rester secs en permanence. Éviter toute installation dans des lieux exposés à des hautes températures et/ou un degré d'humidité élevé. Les packs de batteries doivent rester complètement chargés en étant connectés à un système d'alimentation continue sans coupure actif, et non en condition d'épuisement. Les batteries laissées en condition déchargée subiront une perte permanente de capacité.

Dépannage

Une rangée de fusibles se trouve à l'intérieur des packs de batteries. Si une forte surcharge ou un court-circuit se produit, un fusible s'ouvrira (fondu). Un pack de batteries avec un fusible fondu ne délivrera aucune tension de sortie pour toute charge. Un technicien qualifié doit remplacer les fusibles. Contacter l'Assistance Technique Clients Tripp Lite pour toutes informations complémentaires.

Stockage

Déconnecter le câble d'alimentation électrique de votre pack de batterie avant le stockage. Si vous projetez de stocker votre pack de batteries pendant une longue période de temps, recharger complètement ses batteries tous les trois mois en le connectant à un système d'alimentation continue sans coupure qui est branché à une entrée CA pendant au moins 12 heures.

Entretien

Votre produit Tripp Lite est couvert par la garantie décrite dans ce manuel. Une variété de garanties prolongées et de programmes de service sur place sont également disponibles chez Tripp Lite. Pour plus de renseignements sur le service, visitez www.tripplite.com/support. Avant de retourner votre produit pour entretien ou réparation, suivez les étapes suivantes :

1. Relisez les directives d'installation et de fonctionnement de ce manuel afin de vous assurer que le problème n'a pas pour origine une mauvaise lecture des directives.
2. Si le problème persiste, ne pas communiquer ou renvoyer le produit au vendeur. À la place, visitez www.tripplite.com/support.
3. Si le problème nécessite une réparation, visitez www.tripplite.com/support et cliquez sur le lien Product Returns (retour du produit). De cet endroit, vous pouvez demander un numéro d'autorisation de retour de matériel (RMA) qui est exigé pour une réparation. Ce formulaire en ligne simple vous demandera le numéro de modèle et le numéro de série de votre unité ainsi que d'autres renseignements généraux concernant l'acheteur. Le numéro RMA, ainsi que les instructions concernant le transport vous seront acheminées par courriel. Tout dommage (direct, indirect, spécial ou fortuit) survenu au produit pendant le transport à Tripp Lite ou à un centre de service autorisé Tripp Lite est exclu de la garantie. Les produits expédiés à Tripp Lite ou à un centre de service autorisé doivent être prépayés. Inscrire le numéro RMA sur le paquet. Si le produit est encore couvert par la garantie de deux ans, joindre une copie de votre facture d'achat. Retourner le produit pour réparation par un transporteur assuré à l'adresse qui vous a été donnée lorsque vous avez demandé le RMA.

Garantie

Garantie limitée de 1 an (2 ans aux États-Unis et au Canada)

Le vendeur garantit que ce produit, s'il est utilisé conformément à toutes les instructions applicables, est exempt de tous défauts de matériaux et de fabrication pour une période de 1 an (2 ans aux États-Unis et au Canada) à partir de la date d'achat initiale. Si le produit s'avère défectueux en raison d'un vice de matériaux ou de fabrication au cours de cette période, le vendeur s'engage à réparer ou remplacer le produit, à sa seule discrétion.

CETTE GARANTIE NE S'APPLIQUE PAS À L'USURE NORMALE OU AUX DOMMAGES RÉSULTANT D'UN ACCIDENT, D'UNE MAUVAISE UTILISATION, D'UN ABUS OU D'UNE NÉGLIGENCE. LE VENDEUR NE DONNE AUCUNE GARANTIE EXPRESSE AUTRE QUE LA GARANTIE EXPRESSÉMENT DÉCRITE DANS LE PRÉSENT DOCUMENT. SAUF DANS LA MESURE INTERDITE PAR LA LOI APPLICABLE, TOUTE GARANTIE IMPLICITE, Y COMPRIS TOUTES LES GARANTIES DE QUALITÉ MARCHANDE OU D'ADAPTATION, SONT LIMITÉES À LA PÉRIODE DE GARANTIE CI-DESSUS ET CETTE GARANTIE EXCLUT EXPRESSÉMENT TOUS DOMMAGES DIRECTS ET INDIRECTS. (Certains États ne permettent pas de limitations sur la durée d'une garantie implicite, et certains États ne permettent pas l'exclusion ou la limitation des dommages fortuits ou consécutifs, de sorte que les limitations ou exclusions susmentionnées peuvent ne pas s'appliquer à vous. Cette garantie vous donne des droits légaux spécifiques, et vous pouvez avoir d'autres droits qui varient selon la juridiction).

AVERTISSEMENT : L'utilisateur individuel doit prendre soin de déterminer avant l'utilisation si cet appareil est approprié, adéquat et sûr pour l'usage prévu. Puisque les utilisations individuelles sont sujettes à des variations importantes, le fabricant ne fait aucune déclaration ou garantie quant à l'aptitude ou l'adaptation de ces dispositifs pour une application spécifique.

La politique de Tripp Lite en est une d'amélioration continue. Les spécifications sont sujettes à changement sans préavis.



1111 W. 35th Street Chicago, IL 60609 USA • www.tripplite.com/support

Руководство пользователя

Внешние блоки батарей серии ВР

Целесообразно для передвижных применений.

Введение	35
Важные инструкции по технике безопасности	35
Монтаж	36
Подключение	42
Техническое обслуживание	43
Гарантийные обязательства	44
English	1
Español	12
Français	23



1111 W. 35th Street Chicago, IL 60609 USA • www.triplite.com/support

Copyright ©2017 Tripp Lite. Все права защищены.

Введение

Внешние блоки аккумуляторных батарей Tripp Lite серии BP рассчитаны на использование с различными ИБП марки Tripp Lite, имеющими разъемы для подключения таких внешних блоков.

Важные инструкции по технике безопасности



Сохраните эти инструкции

ПРЕДУПРЕЖДЕНИЕ! Монтажные полки не рассчитаны на установку более чем одного блока батарей. Не ставьте два или более блоков батарей на один комплект монтажных полок. Несоблюдение этой инструкции может привести к повреждению изделия и/или риску получения травмы.

- **Будьте осторожны при поднятии блоков батарей.** Так как все блоки батарей обладают значительным весом, как минимум двое человек должны помогать при их поднятии и монтаже.
- **Перед подключением убедитесь в том, что Ваши блоки батарей и источник бесперебойного питания (ИБП) рассчитаны на одинаковое напряжение постоянного тока.**
- **Не рекомендуется использовать данное оборудование в системах жизнеобеспечения в тех случаях, когда его сбой с большой вероятностью приведет к сбою оборудования жизнеобеспечения или значительному снижению его безопасности или эффективности.**
- Порядок установки описан для наиболее распространенных видов стеллажей и может оказаться неприменимым для стеллажных конструкций других конфигураций. Перед началом монтажа следует проверить пригодность компонентов стеллажа и настенного крепления.
- При подключении нескольких блоков батарей к одному ИБП подбирайте батареи бывшие в эксплуатации приблизительно одинакового возраста.
- Появление искр при подключении внешних батарей не является признаком неисправности.
- Не отключайте внешние аккумуляторные батареи от ИБП, когда он работает на энергии аккумулятора, так как существует вероятность возникновения опасного разряда.
- Батареи представляют угрозу поражения электрическим током и возгорания от большого тока при коротком замыкании. Следует соблюдать определенные меры предосторожности. Не бросать батареи в огонь. Не открывать ИБП или батареи. Не замыкать и не соединять клеммы батареи никакими предметами. Перед заменой батареи отключить и отсоединить ИБП от сети и нагрузки. Использовать инструмент с изолированными рукоятками. В ИБП нет компонентов, требующих обслуживания пользователем. Замена батарей должна выполняться только уполномоченным специалистом с использованием батарей того же типа и в том же количестве (герметизированная свинцово-кислотная батарея). Батареи подлежат переработке для использования вторичного сырья. Требования по утилизации описаны в местном законодательстве или на сайте www.tripplite.com/UPSbatteryrecycling. Компания Tripp Lite предоставляет полную линейку сменных блоков батарей для ИБП. Для поиска конкретной сменной батареи для своего ИБП посетите веб-сайт компании Tripp Lite по адресу <http://www.tripplite.com/products/battery-finder/>

Монтаж (Двухрамная стойка)

Установите свой блок аккумуляторных батарей в двухрамную/однорамную стойку или шкаф либо в вертикальное положение. Перед началом установки следует проверить наличие необходимых деталей и предлагаемый порядок действий. Если наличные детали или последовательность действий не подходят для Вашего случая, свяжитесь с производителем стойки или корпусного стеллажа. Описанные в данном руководстве действия по установке относятся к обычным видам стоек и стеллажей и могут быть непригодными для некоторых случаев.

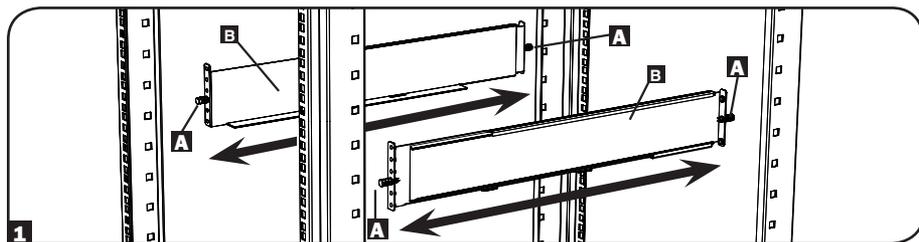
Монтаж на стойке с 4 опорами

Большинство внешних аккумуляторных источников питания включают крепежные детали, необходимые для 4-точечного монтажа. Если такие крепежные детали отсутствуют в комплекте поставки Вашего устройства, можно отдельно заказать в Tripp Lite набор для 4-точечного монтажа в стойке с регулировкой положения (Модели: 4POSTRAILKIT или 4POSTRAILKITHD).

- 1** Поставляемые в комплекте пластмассовые штифты **A** временно поддерживают ненагруженные полки шкафа **B** во время установки монтажных приспособлений постоянного назначения. Вставьте штифт вблизи центра переднего и заднего кронштейнов каждой полки, как показано на рисунке. (Все передние кронштейны имеют по шесть отверстий, а все задние – по три отверстия). Штифты фиксируются на своих местах щелчком.

После установки штифтов расширьте каждую полку на глубину направляющих вашего шкафа. Штифты будут проходить через квадратные отверстия в направляющих шкафа и поддерживать полки на соответствующих уровнях. Для обеспечения ровной установки полок во всех направлениях см. маркировку на панелях шкафа.

Примечание. Опорный выступ каждой полки должен быть направлен внутрь.



Монтаж (Двухрамная стойка)

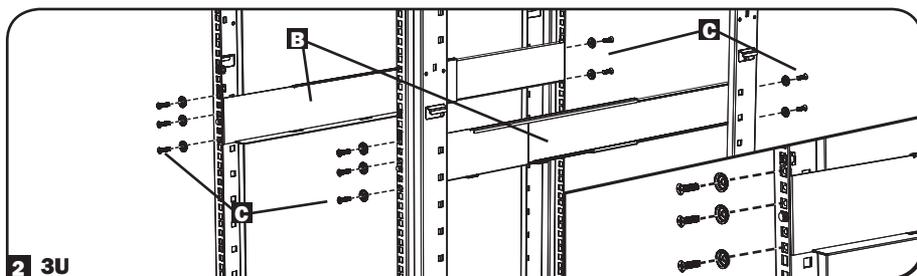
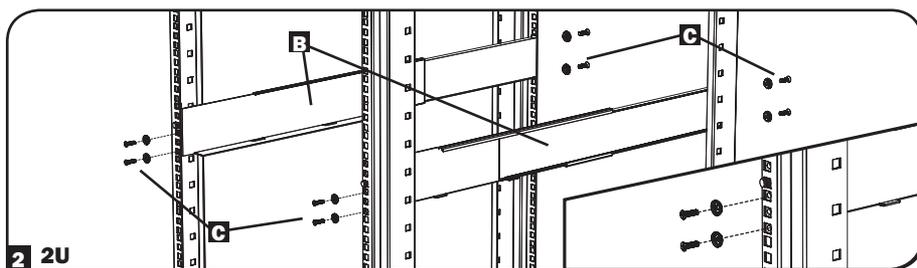
2 Прикрепите полки **B** к монтажным направляющим стационарным образом с помощью входящих в комплект поставки винтов и чашеобразных шайб **C**, как показано на рисунке.

- В случае монтажа оборудования размером 2U установите четыре винта спереди и четыре винта сзади.
- В случае монтажа оборудования размером 3U установите шесть винтов спереди и четыре винта сзади.

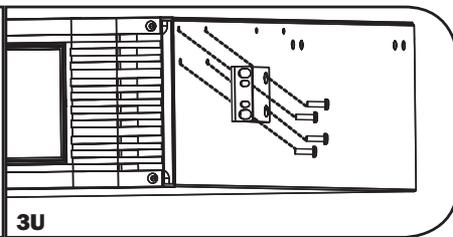
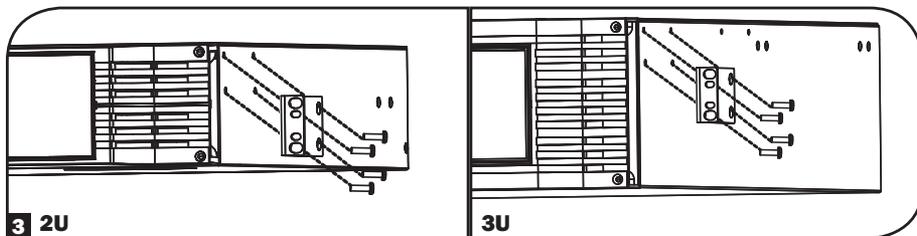
Перед продолжением процесса затяните все винты.



Внимание! Не устанавливайте оборудование до тех пор, пока не будут ввернуты изъятые все требуемые винты. Пластмассовые штифты не рассчитаны на удержание веса вашего оборудования.

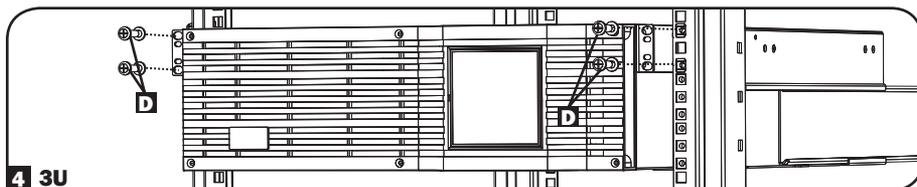
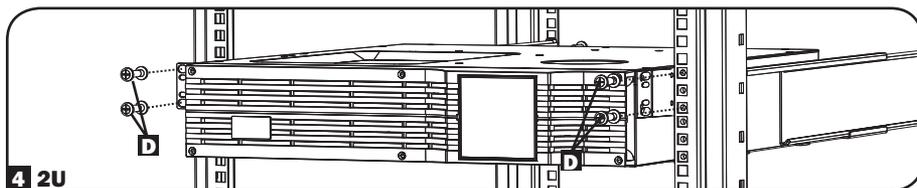


3 Закрепите монтажные кронштейны вашего оборудования в передних монтажных отверстиях шкафа с помощью крепежных деталей, входящих в комплект поставки вашего оборудования. "Язычки" монтажных кронштейнов должны быть направлены вперед. (Некоторые виды оборудования могут иметь монтажные кронштейны, установленные на заводе-изготовителе или встроенные в конструкцию устройства).



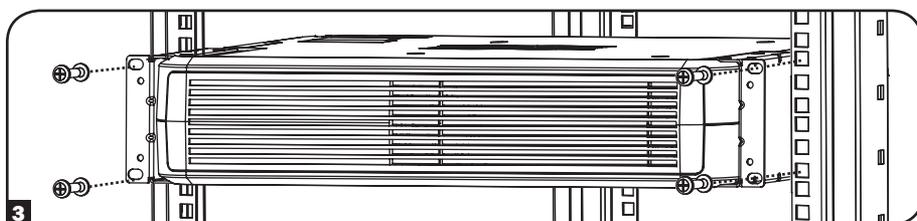
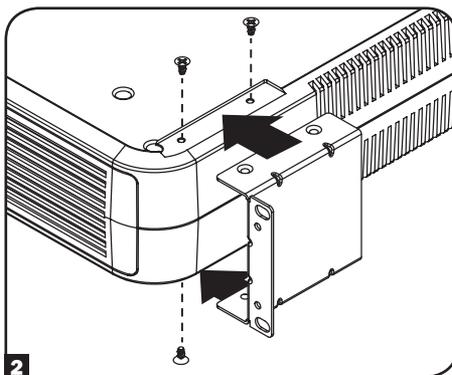
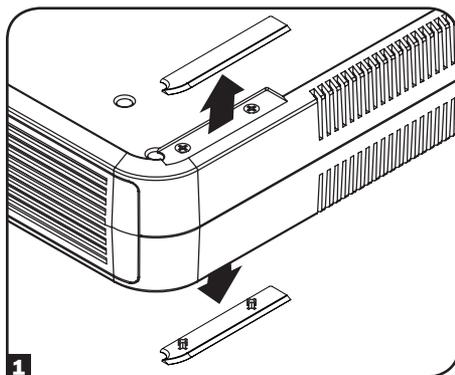
Монтаж (Двухрамная стойка)

- 4** С помощью другого сотрудника (в случае необходимости) поднимите устанавливаемое оборудование и задвиньте его в полки. Прикрепите монтажные кронштейны оборудования к передним монтажным направляющим с помощью винтов и шайб **D**, не входящих в комплект. Плотно затяните все винты.



Монтаж блока ВР24V15RT2U в двухрамную стойку

Для установки внешнего блока аккумуляторных батарей в двухрамную стойку выньте заглушки из монтажных отверстий с верхней и нижней сторон батарейного блока **1**. Для установки блока аккумуляторных батарей в двухрамную стойку прикрепите монтажные проушины с каждой из сторон ИБП с помощью поставляемой в комплекте оснастки **2**. Обратившись за помощью, поднимите батарейный блок и закрепите его в стандартной стойке с использованием оснастки, не входящей в комплект **3**.

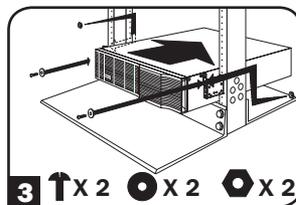
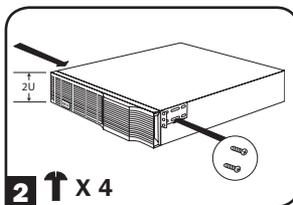
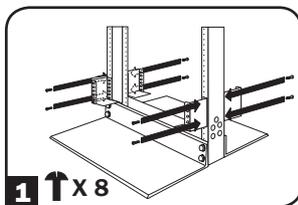


Монтаж (Однорамная стойка или вертикальный монтаж)

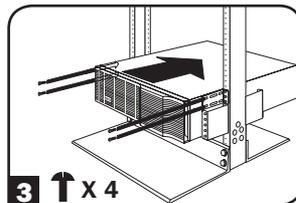
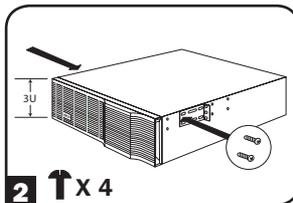
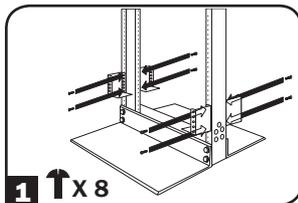
Монтаж на стойке с 2 опорами (Telecom)

Для установки аккумуляторных источников питания в стойку с 2-точечным монтажом потребуется монтажный набор Tripp Lite для 2-точечного монтажа в стойку (модель 2POSTRMKITWM или 2POSTRMKITHD). Если такой набор отсутствует в комплекте поставки Вашего устройства, его можно заказать отдельно в Tripp Lite. См. на нижеприведенных иллюстрациях конкретные инструкции по монтажу для аккумуляторных источников питания, охватывая диапазон размеров 2U, 3U и 4U.

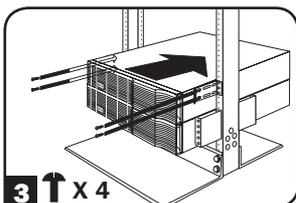
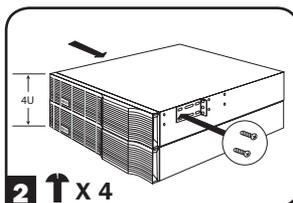
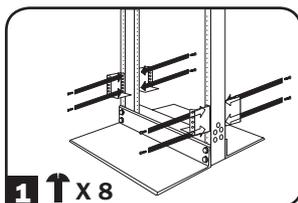
2U



3U



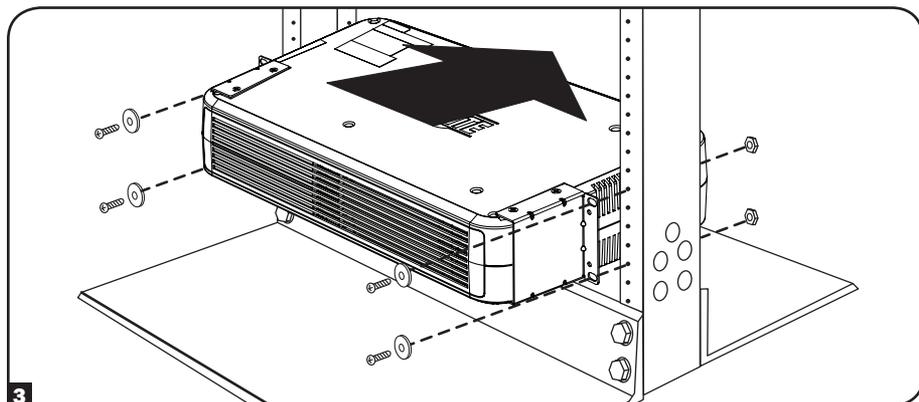
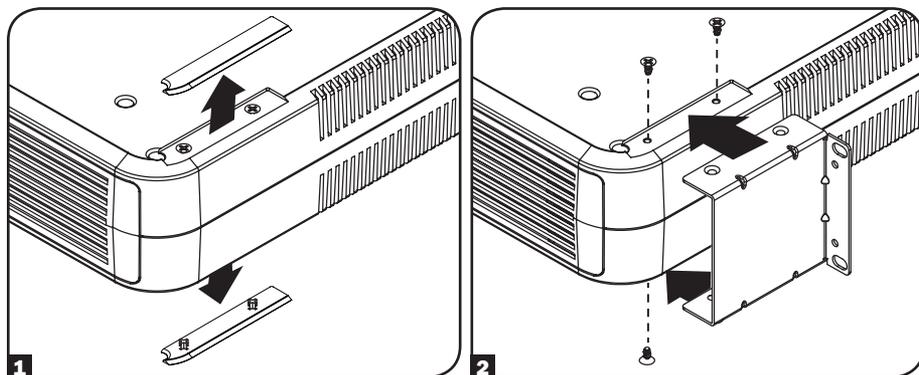
4U



Монтаж (Однорамная стойка или вертикальный монтаж)

Монтаж блока ВР24V15RT2U в однорамную стойку

Для установки внешнего блока аккумуляторных батарей в однорамную стойку выньте заглушки из монтажных отверстий с верхней и нижней сторон батарейного блока **1**. Прикрепите монтажные проушины с каждой из сторон ИБП с помощью поставляемой в комплекте оснастки **2**. Обратившись за помощью, поднимите батарейный блок и закрепите его в стандартной стойке с использованием оснастки, не входящей в комплект **3**.



Важно: На иллюстрациях показаны наиболее типичные конфигурации монтажа; Ваша модель может иметь отличия. Используйте только предварительно просверленные отверстия под винты для крепления монтажных скоб к боковым граням корпуса аккумуляторного источника питания. Устанавливая аккумуляторные источники питания в стойку, убедитесь, что вес устройства распределен равномерно.

Монтаж (Однорамная стойка или вертикальный монтаж)

Вертикальный монтаж

Отдельные модели внешних блоков аккумуляторных батарей могут монтироваться вертикально. Для повышения устойчивости компания Tripp Lite рекомендует использовать приспособление 2-9USTAND (продается отдельно). При вертикальном монтаже блока аккумуляторных батарей предупредительная табличка, указывающая ориентацию батарей **1**, не должна быть обращена вверх. При выполнении монтажа следуйте указаниям, изложенным в инструкции к приспособлению 2-9USTAND.

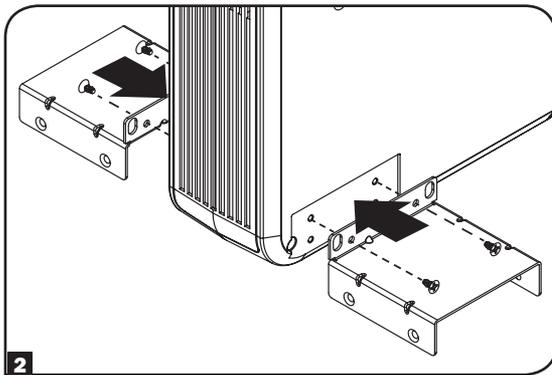
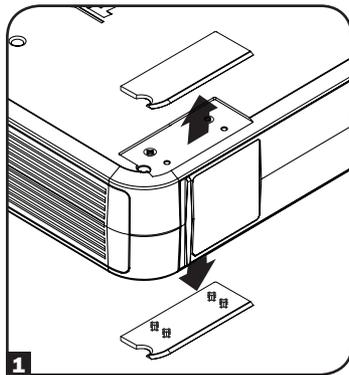
WARNING
DO NOT INSTALL PRODUCT
WITH THIS LABEL
FACING UP

1

**"WARNING" –
ПРИ УСТАНОВКЕ ИЗДЕЛИЯ
ДАННАЯ ТАБЛИЧКА НЕ
ДОЛЖНА БЫТЬ ОБРАЩЕНА
ВВЕРХ**

Вертикальный монтаж блока BP24V15RT2U

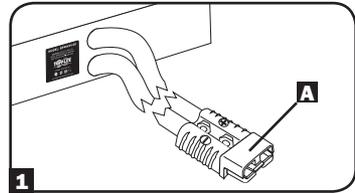
Блок BP24V15RT2U может сохранять вертикальное положение без помощи оснастки, поставляемой в комплекте с ним. Для повышения устойчивости компания Tripp Lite рекомендует извлечь нижние винтовые заглушки с каждой стороны **1** и закрепить на их месте поставляемые в комплекте приспособления **2**. Независимо от того, в каком положении производится монтаж, пользователь должен установить пригодные оснастки и предполагаемых процедур до начала установки.



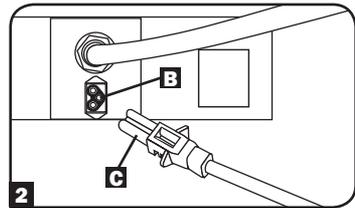
ОБРАТИТЕ ВНИМАНИЕ: если предупредительные таблички с указанием ориентации батарей прикреплены с обеих сторон блока аккумуляторных батарей, то он может монтироваться только в стойку или шкаф.

Подключение

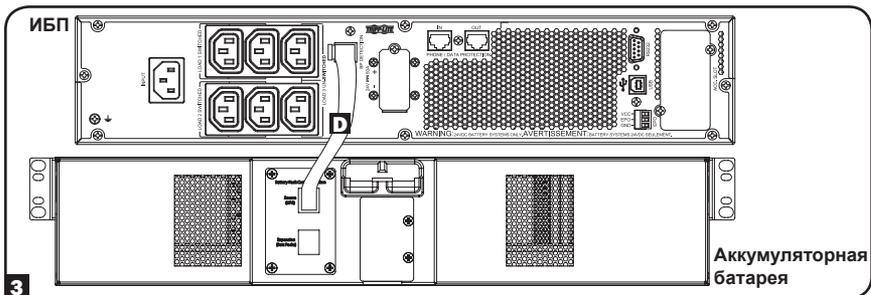
1 Некоторые модели блоков батарей снабжены встроенным выходным кабелем с поляризованным разъемом **A**, который расположен на задней панели. Вставьте кабель вывода непосредственно в разъем ИБП, предназначенный для внешней батареи. (Описание и местоположение разъема для внешней батареи Вы найдете в руководстве к источнику бесперебойного питания.) Как правило, к ИБП одновременно подключен только один такой блок батарей. Кроме того, можно также воспользоваться одним или несколькими блоками батарей Tripp Lite, поддерживающими возможность последовательного подключения.



2 В некоторых моделях блоков аккумуляторных батарей предусмотрена возможность шлейфового подключения, обеспечивающая более длительное время работы **B**. Для подключения нескольких батарейных блоков к одному ИБП с целью увеличения времени его автономной работы подсоедините кабельный выходной разъем первого батарейного блока к разъему ИБП, предназначенному для подключения внешних батарей, после чего подключите остальные блоки по "шлейфовой" схеме: **C** подсоедините кабельный выходной разъем второго батарейного блока ко входному разъему третьего блока, предназначенному для шлейфового подключения, и так далее. (Описание процесса подключения внешних батарей и их расположение см. в руководстве пользователя своего ИБП).



3 Некоторые блоки аккумуляторных батарей имеют на задней панели порт, предназначенный для контроля за подключением внешних батарей. Блоки аккумуляторных батарей должны использоваться только с теми моделями, которые служат в качестве главных ИБП и обеспечивают аналогичный функционал. ИБП автоматически распознает внешнюю батарею при ее подсоединении с помощью кабеля для подключения батарей **D**. Информация о совместимых моделях внешних блоков аккумуляторных батарей, требованиях к комплектации и возможных ограничениях представлена в руководстве по эксплуатации ИБП. Блоки аккумуляторных батарей могут использоваться только с ИБП, имеющими разъемы под кабели, обеспечивающие контроль за подключением внешних блоков аккумуляторных батарей (если ИБП не поддерживает данную функцию, то необходимость в наличии указанного разъема отсутствует).



Техническое обслуживание

Блоки батарей не нуждаются в техническом обслуживании, но должны всегда быть сухими. Избегайте установку блоков в местах с повышенной температурой и/или влажностью. Блоки батарей должны сохраняться полностью заряженными, для чего необходимо, чтобы они были подключены к действующей системе бесперебойного питания. Не рекомендуется оставлять их в разряженном состоянии. Пребывание батарей в разряженном состоянии влечет за собой необратимую потерю емкости.

Выявление и устранение неисправностей

Внутри блоков батарей находится цепочка плавких предохранителей. При сильной перегрузке или коротком замыкании предохранители перегорают. Блок батарей с перегоревшим предохранителем не будет создавать напряжения на выходе при любой нагрузке. Смену предохранителей должен произвести квалифицированный специалист. За дополнительной информацией обратитесь в отдел обслуживания клиентов компании Tripp Lite.

Хранение

Отсоедините кабель электропитания блока батарей перед тем, как поставить его на сохранение. Если Вы планируете оставить блок батарей на длительное хранение, то каждые три месяца полностью заряжайте его батареи, подключая блок к включенному в сеть ИБП на время не менее 12 часов.

Сервисное обслуживание

На продукцию компании Tripp Lite распространяется гарантия, описанная в данном руководстве. Также доступны различные программы продлеваемой гарантии и обследования на объекте от компании Tripp Lite. Для получения более подробной информации о сервисном обслуживании посетите веб-сайт компании www.tripplite.com/support. Перед возвратом продукции для обслуживания, выполните следующие шаги:

1. Просмотрите инструкции по установке и эксплуатации, изложенные в данном руководстве, чтобы убедиться, что проблемы происходят не из-за неправильного понимания инструкций.
2. Если проблема сохраняется, не обращайтесь и не возвращайте инвертор/зарядное устройство торговому посреднику. Вместо этого посетите веб-сайт www.tripplite.com/support.
3. Если для решения проблемы требуется ремонт, посетите веб-сайт www.tripplite.com/support и перейдите по ссылке Product Returns (возврат продукции). Здесь можно сделать запрос о номере разрешения на возврат (RMA), который необходим для ремонта. В этой простой интерактивной форме нужно будет заполнить номер модели устройства и его серийный номер, а также общую информацию о покупателе. Номер RMA вместе с инструкциями по отправке будет выслан по электронной почте. Любые повреждения (прямые, косвенные, умышленные или побочные) продукции, полученные в результате транспортировки в компанию Tripp Lite или в уполномоченный сервисный центр, гарантией не покрываются. Транспортировка продукции в компанию Tripp Lite или в авторизованный сервисный центр должна быть оплачена отправителем. На внешней стороне упаковки нанесите номер разрешения на возврат. Если продукт находится на гарантии, вложите копию чека или документа на приобретение. Доставка продукции для обслуживания осуществляйте через застрахованных перевозчиков по адресу, полученному вместе с разрешением на возврат.

Гарантийные обязательства

Условия ограниченной гарантии сроком 1 год

Продавец гарантирует отсутствие изначальных дефектов материала или изготовления в течение 1 года с момента первой покупки данного изделия при условии его использования в соответствии со всеми применимыми к нему указаниями. В случае проявления каких-либо дефектов материала или изготовления в течение указанного периода Продавец осуществляет ремонт или замену данного изделия исключительно по своему усмотрению.

ДЕЙСТВИЕ НАСТОЯЩЕЙ ГАРАНТИИ НЕ РАСПРОСТРАНЯЕТСЯ НА СЛУЧАИ ЕСТЕСТВЕННОГО ИЗНОСА ИЛИ ПОВРЕЖДЕНИЯ В РЕЗУЛЬТАТЕ АВАРИИ, НЕНАДЛЕЖАЩЕГО ИСПОЛЬЗОВАНИЯ, НАРУШЕНИЯ ПРАВИЛ ЭКСПЛУАТАЦИИ ИЛИ ХАЛАТНОСТИ. ПРОДАВЕЦ НЕ ПРЕДОСТАВЛЯЕТ НИКАКИХ ЯВНО ВЫРАЖЕННЫХ ГАРАНТИЙ ЗА ИСКЛЮЧЕНИЕМ ПРЯМО ИЗЛОЖЕННОЙ В НАСТОЯЩЕМ ДОКУМЕНТЕ. ЗА ИСКЛЮЧЕНИЕМ СЛУЧАЕВ, ЗАПРЕЩЕННЫХ ДЕЙСТВУЮЩИМ ЗАКОНОДАТЕЛЬСТВОМ, ВСЕ ПОДРАЗУМЕВАЕМЫЕ ГАРАНТИИ, ВКЛЮЧАЯ ВСЕ ГАРАНТИИ ПРИГОДНОСТИ ДЛЯ ПРОДАЖИ ИЛИ ИСПОЛЬЗОВАНИЯ ПО НАЗНАЧЕНИЮ, ОГРАНИЧЕНЫ ПО ПРОДОЛЖИТЕЛЬНОСТИ ДЕЙСТВИЯ ВЫШЕУКАЗАННЫМ ГАРАНТИЙНЫМ СРОКОМ; КРОМЕ ТОГО, ИЗ НАСТОЯЩЕЙ ГАРАНТИИ ЯВНЫМ ОБРАЗОМ ИСКЛЮЧАЮТСЯ ВСЕ ПОБОЧНЫЕ, СЛУЧАЙНЫЕ И КОСВЕННЫЕ УБЫТКИ. (В некоторых штатах не допускается введение ограничений на продолжительность действия тех или иных подразумеваемых гарантий, а в некоторых - исключение или ограничение размера побочных или косвенных убытков. В этих случаях вышеизложенные ограничения или исключения могут на вас не распространяться. Настоящая гарантия предоставляет вам конкретные юридические права, а набор других ваших прав может быть различным в зависимости от юрисдикции).

ВНИМАНИЕ! До начала использования данного устройства пользователь должен убедиться в том, что оно является пригодным, соответствующим или безопасным для предполагаемого применения. В связи с большим разнообразием конкретных применений производитель не дает каких-либо заверений или гарантий относительно пригодности данных изделий для какого-либо конкретного применения или их соответствия каким-либо конкретным требованиям.

Компания Tripp Lite постоянно совершенствует свою продукцию. В связи с этим возможно изменение технических характеристик без предварительного уведомления.



1111 W. 35th Street Chicago, IL 60609 USA • www.tripplite.com/support