

PART NUMBER	ITEM ① BODY (2 PIECE)	ITEM ② SPRING	ITEM ③ SOLDER LUG	ITEM ④ NUT
108-0750-002	BRASS NICKEL PL .0001 MIN	NICKEL SILVER NICKEL PL .0001 MIN	COPPER TIN PL .0004 MIN	BRASS NICKEL PL .0001 MIN

DRAWING NO.  
B-108-0750-002

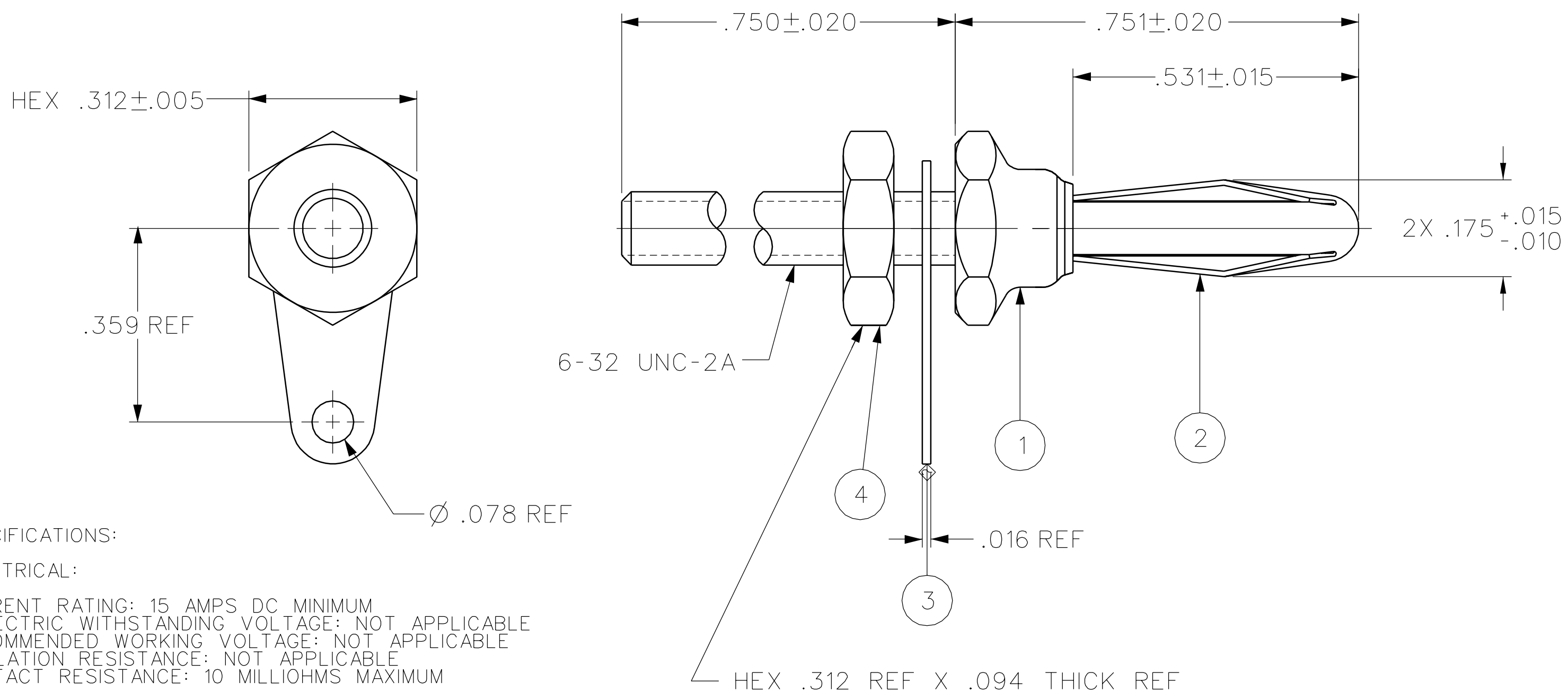
0 REVISIONS

ENGINEERING RELEASE  
\*\*\*\*\*  
\* REVISION NUMBER FOLLOWED BY AN ALPHA \*  
\* CHARACTER INDICATES DRAWING CLARIFI- \*  
\* CATION OR PART NUMBER ADDITION ONLY. \*  
\*\*\*\*\*

64a 1-19-95 R H S W T R J B C A K J B ECN 42927

UPDATED TO REFLECT ONE PEICE BODY  
.751 WAS .750

65 2/8/11 R H S W T R J B C A K J B ECO 51908



NOTES:  
1. SPECIFICATIONS:  
ELECTRICAL:  
CURRENT RATING: 15 AMPS DC MINIMUM  
DIELECTRIC WITHSTANDING VOLTAGE: NOT APPLICABLE  
RECOMMENDED WORKING VOLTAGE: NOT APPLICABLE  
INSULATION RESISTANCE: NOT APPLICABLE  
CONTACT RESISTANCE: 10 MILLIOHMS MAXIMUM  
MECHANICAL:  
INSERTION/WITHDRAWAL FORCE: 1.0 - 12.0 POUNDS  
CONTACT SPRING RETENTION FORCE: 25 POUNDS MINIMUM  
WIRE ACCEPTABILITY: NOT APPLICABLE  
WIRE ATTACHMENT: NOT APPLICABLE  
MATING BANANA JACK DIAMETER: .166 NOMINAL  
DURABILITY: 1000 CYCLES MINIMUM

ENVIRONMENTAL:  
(MEETS OR EXCEEDS THE APPLICABLE PARAGRAPH OF MIL-C-28901)  
OPERATING TEMPERATURE: -55 DEG C TO 85 DEG C.  
TEMPERATURE RISE AT RATED CURRENT: 10 DEG C MAXIMUM  
CORROSION: MIL-STD-1344, METHOD 1001, CONDITION B  
SHOCK: MIL-STD-1344, METHOD 2004, CONDITION G  
VIBRATION: MIL-STD-1344, METHOD 2005, CONDITION I  
HUMIDITY: MIL-STD-1344, METHOD 1002, CONDITION B

CUSTOMER DRAWING

THIS DRAWING TO BE INTERPRETED  
PER ASME Y 14.5M - 1994

"μ STATION"

COMPANY CONFIDENTIAL

TOLERANCE UNLESS OTHERWISE SPECIFIED		DRAWN BY	DATE
DECIMALS	mm	SWC	7-12-94
.XX	_____	CHECKED BY	DATE
.XXX	_____	SWC	1-25-95
MATL	_____	APPROVED BY	DATE
FINISH	_____	TAK/RJB	3-2-95
		RELEASE DATE	
U/M	INCH	SCALE	4:1

**cinch**  
CONNECTIVITY SOLUTIONS  
a bel group

Cinch Connectivity Solutions  
P.O. Box 1732  
Waseca, MN 56093  
1-800-247-8256

TITLE  
ASSEMBLY, BANANA PLUG,  
UNINSULATED, HEX BODY,  
THREADED STUD, SOLDER LUG

SHEET  
2 OF 2

DRAWING NO.  
B-108-0750-002