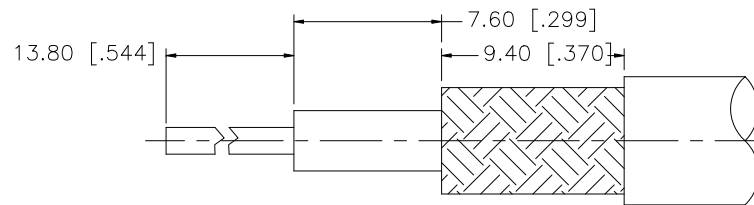
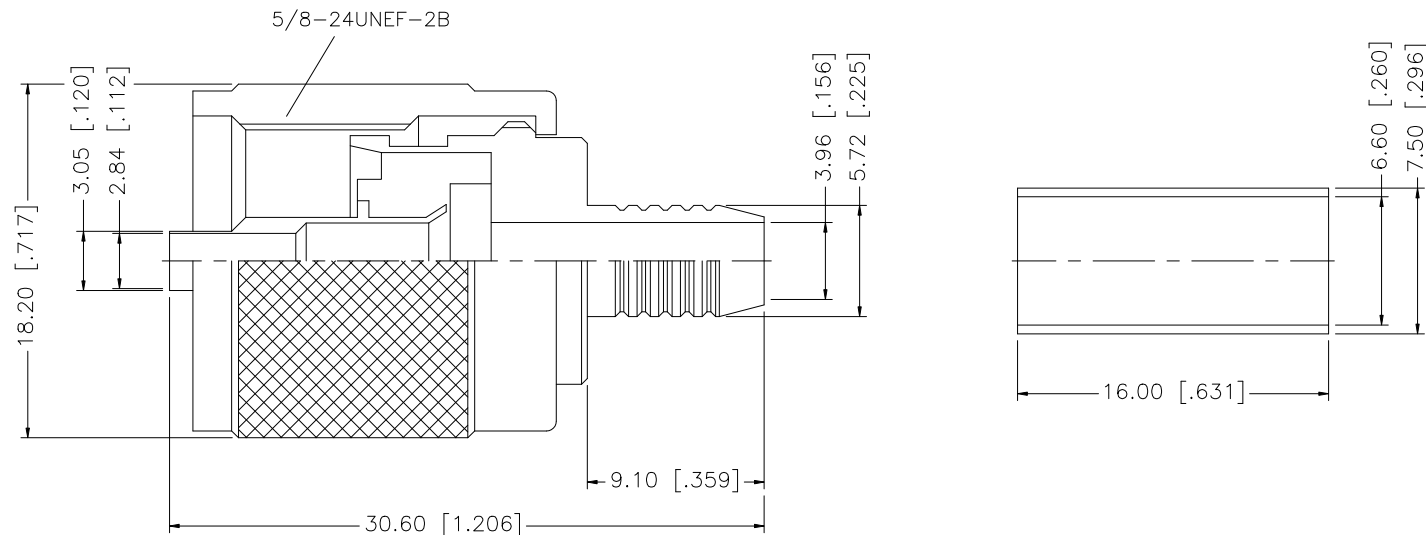


REV.	DATE	ECR NO.	DESCRIPTION
NC	08/08/02	-	INITIAL RELEASE
A	10/03/07	-	REVISE CABLE CALL OUT, UPDATE DRAWING FORMAT
B	03/16/09	-	REVISE PART DESCRIPTION



RECOMMENDED CABLE STRIPPING DIM'S



NOTES:

1. CRIMPED FERRULE HEX CRIMP SIZE .255" [6.54]

				UNLESS OTHERWISE SPECIFIED DIMENSIONS ARE IN MILLIMETERS. DIMENSIONS IN [] ARE IN INCHES AND FOR CUSTOMER REFERENCE ONLY.	APPROVALS	DATE	Amphenol Connex			
8					DRAWN	GRS				03/16/09
7					CHECKED			PART NO. 182101-10		
6					ISSUED					
5					SHEET	1 OF 1		REV. B		
4	FERRULE	COPPER	NICKEL	1	CAD FILE					
3	CONTACT PIN	BRASS	GOLD	1	C:/182/182101-10.DWG			SIZE A		
2	INSULATOR	PHENOLIC	YELLOW	1						
1	BODY/SHELL	BRASS	NICKEL	1						
	DESCRIPTION	MATERIAL	FINISH	QTY	DO NOT SCALE DRAWING					