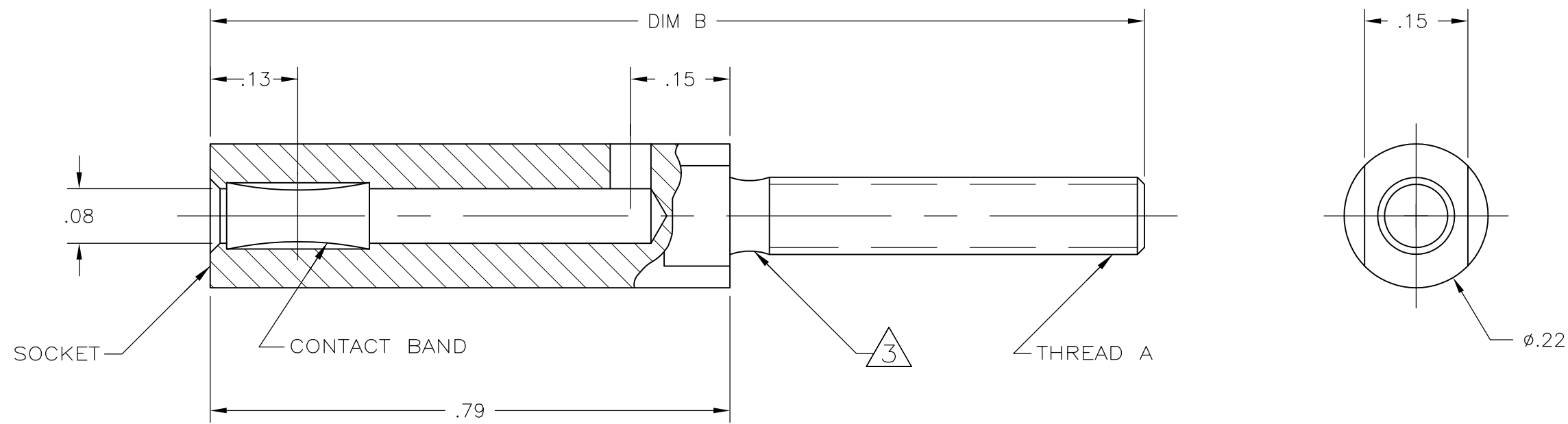


THIS DRAWING IS UNPUBLISHED. RELEASED FOR PUBLICATION
 © COPYRIGHT BY TYCO ELECTRONICS CORPORATION. ALL RIGHTS RESERVED.

LOC	DIST	REVISIONS			
P	LTR	DESCRIPTION	DATE	DWN	APVD
FT	0	B	REVISED PER 0G3B-0536-02	1/17/03	SS GS
		B1	REVISED PER ECO-09-023929	16OCT09	KK AEG

NOTES:

- 1 FINISH-SILVER PLATE SEMI-BRIGHT 200-400u INCHES THICK, OVER NICKEL.
- 2 FINISH GOLD PLATE 20-30u INCHES THICK, OVER NICKEL.
- 3. WIRE RACK PLATING MARKS PERMISSIBLE IN THREAD RELIEF. WHEN THREAD RELIEF IS ABSENT, FIRST FULL THREAD TO BE .050 FROM SHOULDER.
- 4 PRELIMINARY PART NUMBER.
- 5 OBSOLETE PARTS: OBSOLETE CIS STREAMLINING PER D.RENAUD/D.SINISI



4	1.11	1,3	M3 X 0.5-6g	--	192059-4
5	1.42	1,3	5 (.124)-40NC-2A	--	192059-3
OBSOLETE	1.42	2	5 (.124)-40NC-2A	10924	192059-2
	1.42	1,3	M3 X 0.5-6g	09014	192059-1
	DIM B	FINISH (NOTE NO.)	THREAD A	WAS	PART NO.

THIS DRAWING IS A CONTROLLED DOCUMENT.		DWN 03-13-92 D. WILSON	Tyco Electronics Corporation Harrisburg, PA 17105	
DIMENSIONS: INCHES		CHK 04-01-92 R. JAYNE	SOCKET ASSY, 2mm	
TOLERANCES UNLESS OTHERWISE SPECIFIED:		APVD -	NAME	
0 PLC ± -		PRODUCT SPEC -	SIZE	
1 PLC ± -		APPLICATION SPEC -	CAGE CODE	DRAWING NO
2 PLC ± .02		WEIGHT -	A3 00779	C-192059
3 PLC ± .010		RESTRICTED TO		
4 PLC ± -		CUSTOMER DRAWING		
ANGLES ± -		SCALE 5:1	SHEET 1 OF 1	REV B1
MATERIAL BRASS				
FINISH 1 2				