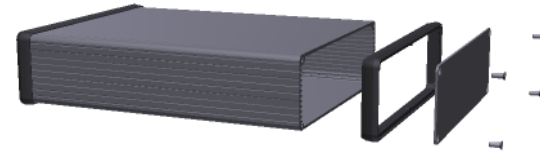
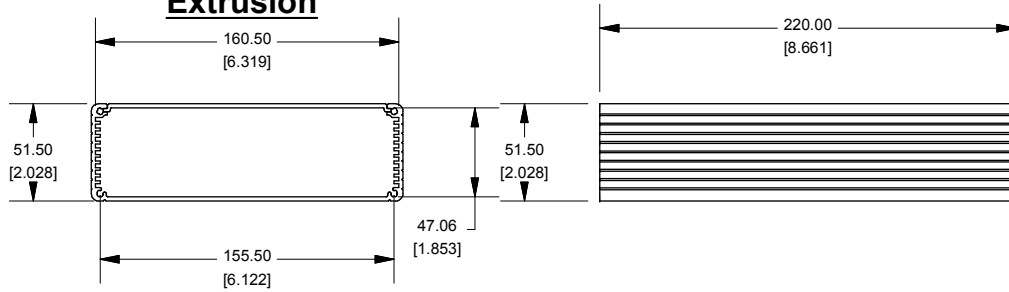
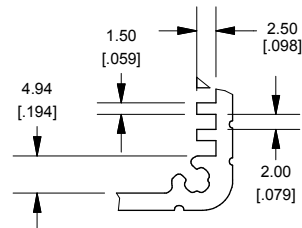


### Extrusion

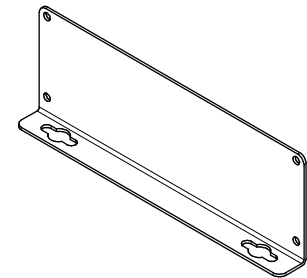
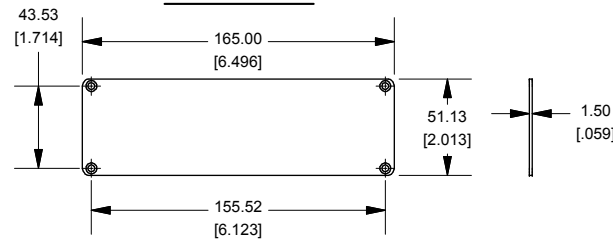


EXTRUSION DESIGNED FOR 160MM WIDE PC BOARD

### Slot Details

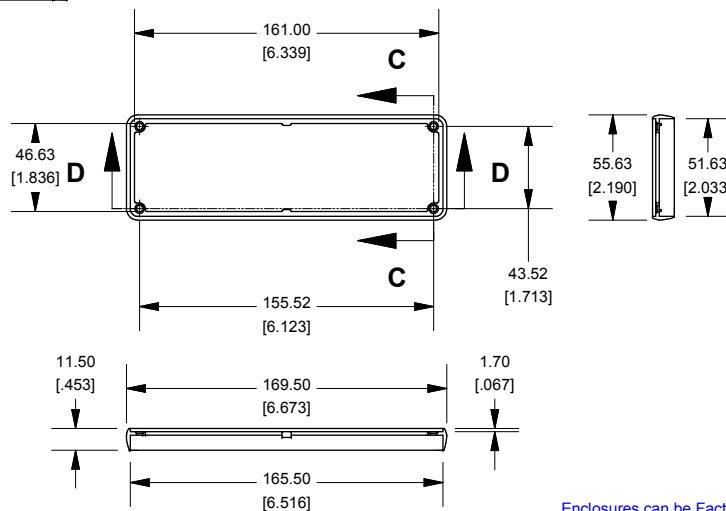


### End Plate



### OPTIONAL FLANGE END PANELS 1455TF

### Open Bezel



NOTE	
Purchased assembly includes box, plastic bezels, end panels, #6 Taptight screws and self adhesive rubber feet.	
Box made from Extruded Aluminum 6063.	
Bezels made with polycarbonate.	

1455T2201 PART NUMBERS	
Clear Anodized	1455T2201
Black Anodized	1455T2201BK
ACCESSORIES	
See website for accessories.	

**HAMMOND  
MANUFACTURING™**  
**1455T2201**  
www.hammondmfg.com

Enclosures can be Factory Modified ( Milling, Drilling, Printing etc. )  
Solid models of this enclosure available in STEP or IGES.  
Contact Factory [mjm@hammondmfg.com](mailto:mjm@hammondmfg.com)