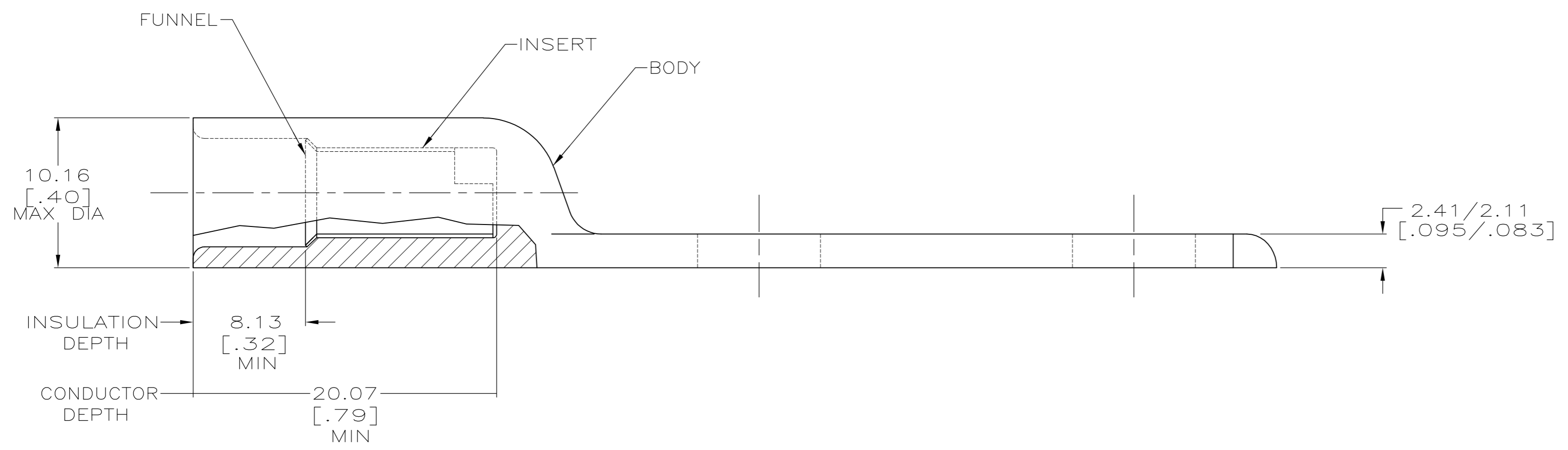
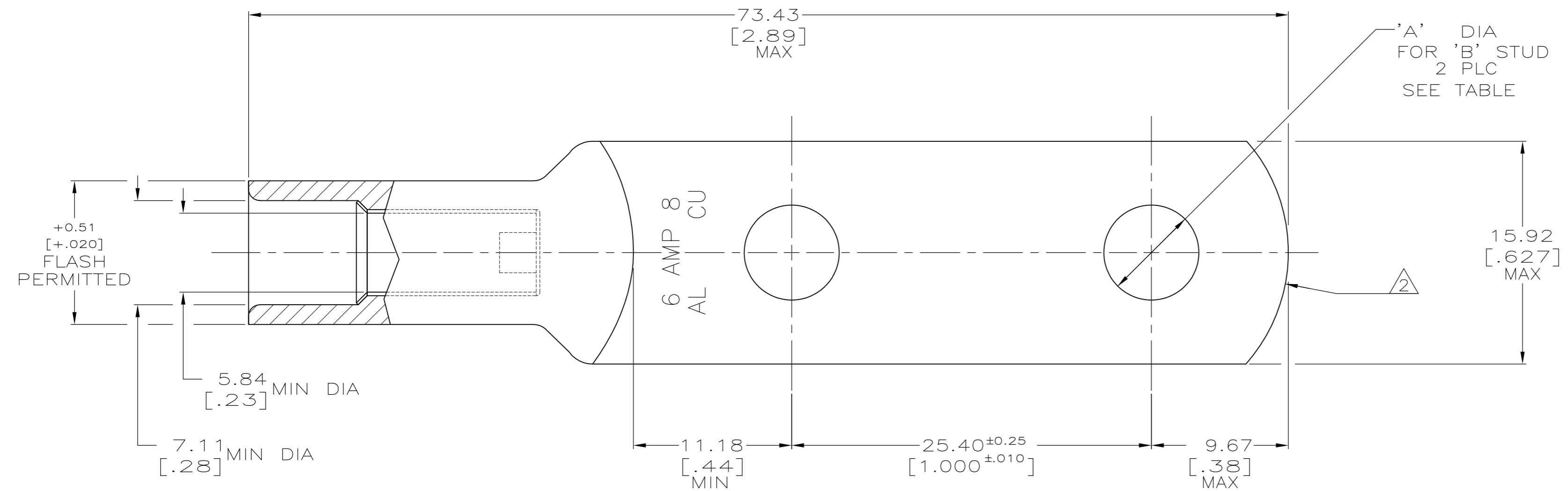


THIS DRAWING IS UNPUBLISHED. RELEASED FOR PUBLICATION
 © COPYRIGHT - By - ALL RIGHTS RESERVED.

LOC		DIST		REVISIONS			
P	LTR	DESCRIPTION		DATE	DWN	APVD	
-	-	H	REV PER ECO	13-001207	1-22-13	CT	JW



- 1 WIRE INSULATION: 5.72[.225] - 6.35[.250] DIA
- △ THE TONGUE RADIUS FEATURE IS NOT A TOOLING CONTROLLED DIMENSION AND MAY NOT BE A TRUE RADIUS.

23 GRAMS	9.9 ^{±0.13} [.390 ^{±0.005}]	3/8	BODY: COPPER ASTM-B187 ANNEALED TIN PL MIL-T-10727 0.00457[.000150] MIN THK	55832-2
24 GRAMS	6.73 ^{±0.08} [.265 ^{±0.003}]	1/4	INSERT & FUNNEL: BRASS PER ASTM B36 NICKEL PLATE SAE AMS QQ-N-290A, DATED JULY 2000, 0.00254 [.000100] MIN THK	55832-1
WEIGHT	"A"	"B"	MATERIAL AND FINISH	PART NO.

THIS DRAWING IS A CONTROLLED DOCUMENT.		DWN	DK SCHRUM	6/15/92	 TE Connectivity	
DIMENSIONS: MM [INCHES]		CHK	WJ VOCKROTH	6/16/92		
TOLERANCES UNLESS OTHERWISE SPECIFIED:		APVD	AJ KAUFMAN	6/16/92		
0 PLC ± - 1 PLC ± - 2 PLC ± - 3 PLC ± - 4 PLC ± - ANGLES ± -		PRODUCT SPEC	108-11011			
MATERIAL SEE TABLE		FINISH	SEE TABLE		NAME	WIRE TERMINAL, COPALUM SEALED, RING TONGUE, WIRE SIZE: 6 AL, 4 COPPER
SCALE 4:1		SHEET 1 of 1	REV H	RESTRICTED TO		