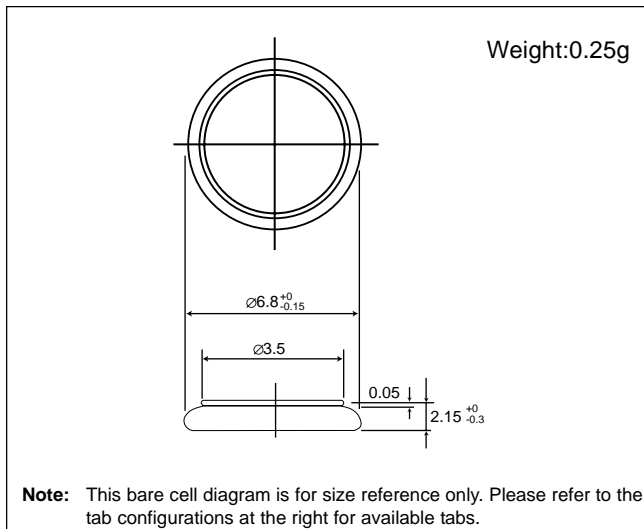


# Niobium-Lithium Rechargeable Batteries (NBL series): Individual Specifications

## NBL621

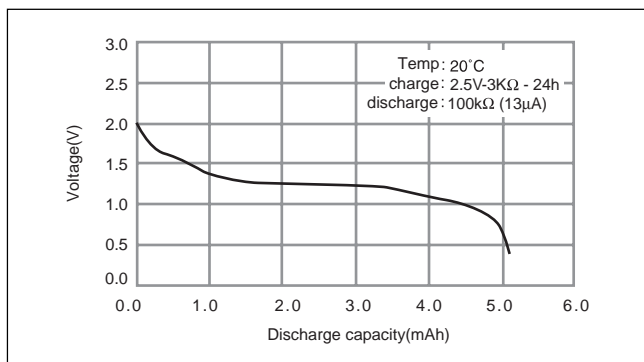
### ■ Dimensions(mm)



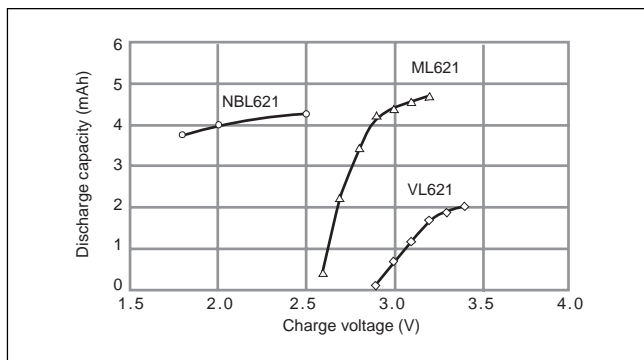
### ■ Specification

Nominal voltage (V)	2
Nominal capacity (mAh)	4
Continuous standard load (mA)	0.01
Operating temperature (C)	-20 ~ +60

### ■ Discharge characteristics

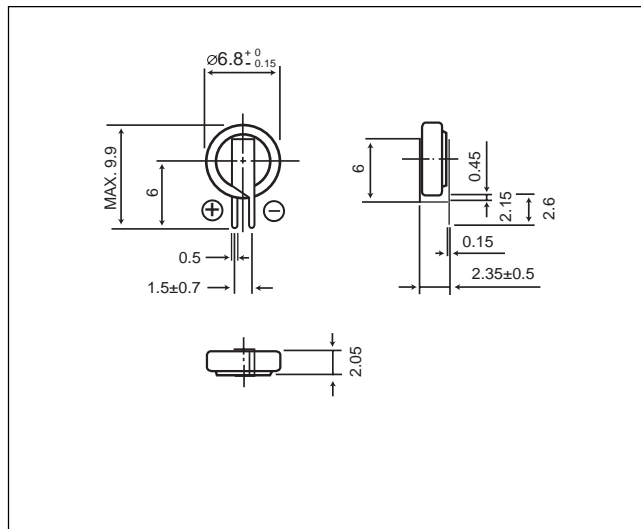


### ■ Recovered capacity (According to charge voltage)



## NBL621/F9D

### ■ Available Tab Configuration



### Notes:

- To ensure proper electrical contact, it is recommended that rechargeable coin cell batteries be used with tabs for PC Board mounting. Please consult Panasonic before planning a design that will use bare coin cells without tabs (e.g. using a holder).
- Please contact Panasonic for requests on custom tab configurations. Minimum order requirements may apply.