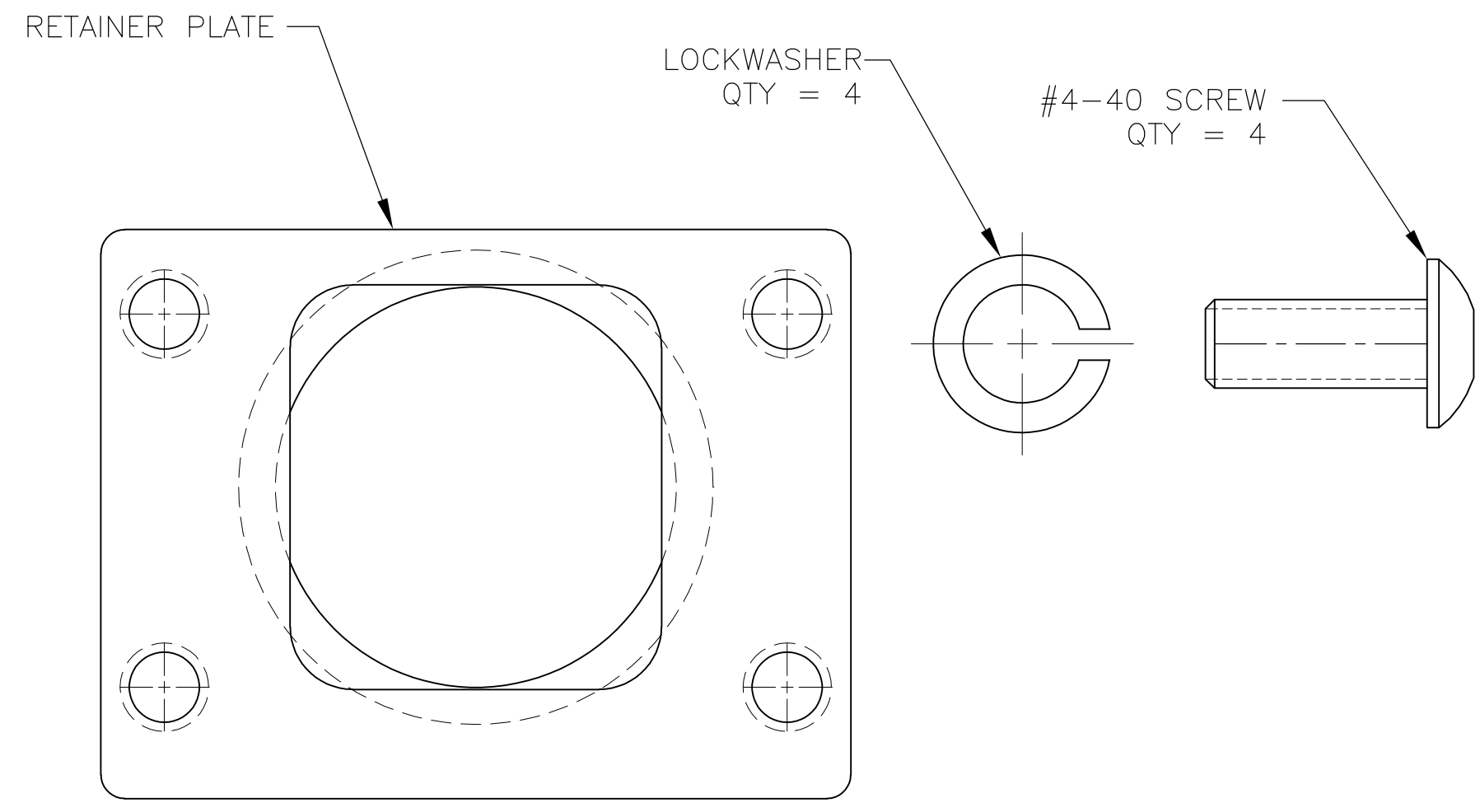
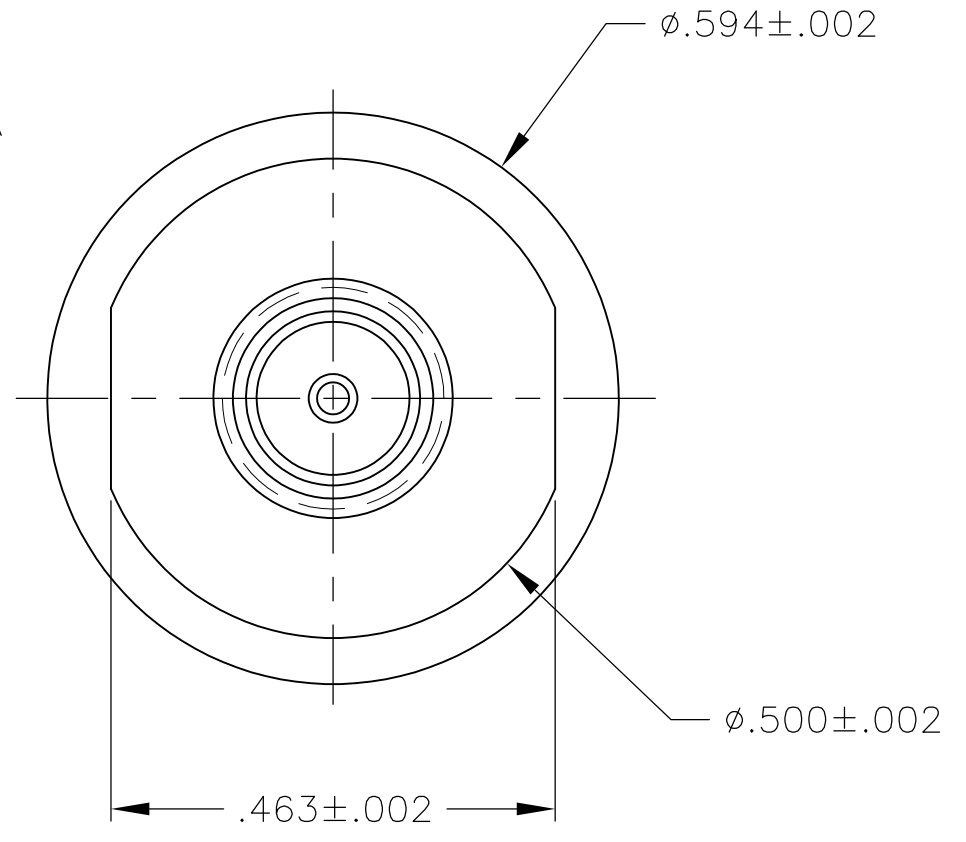
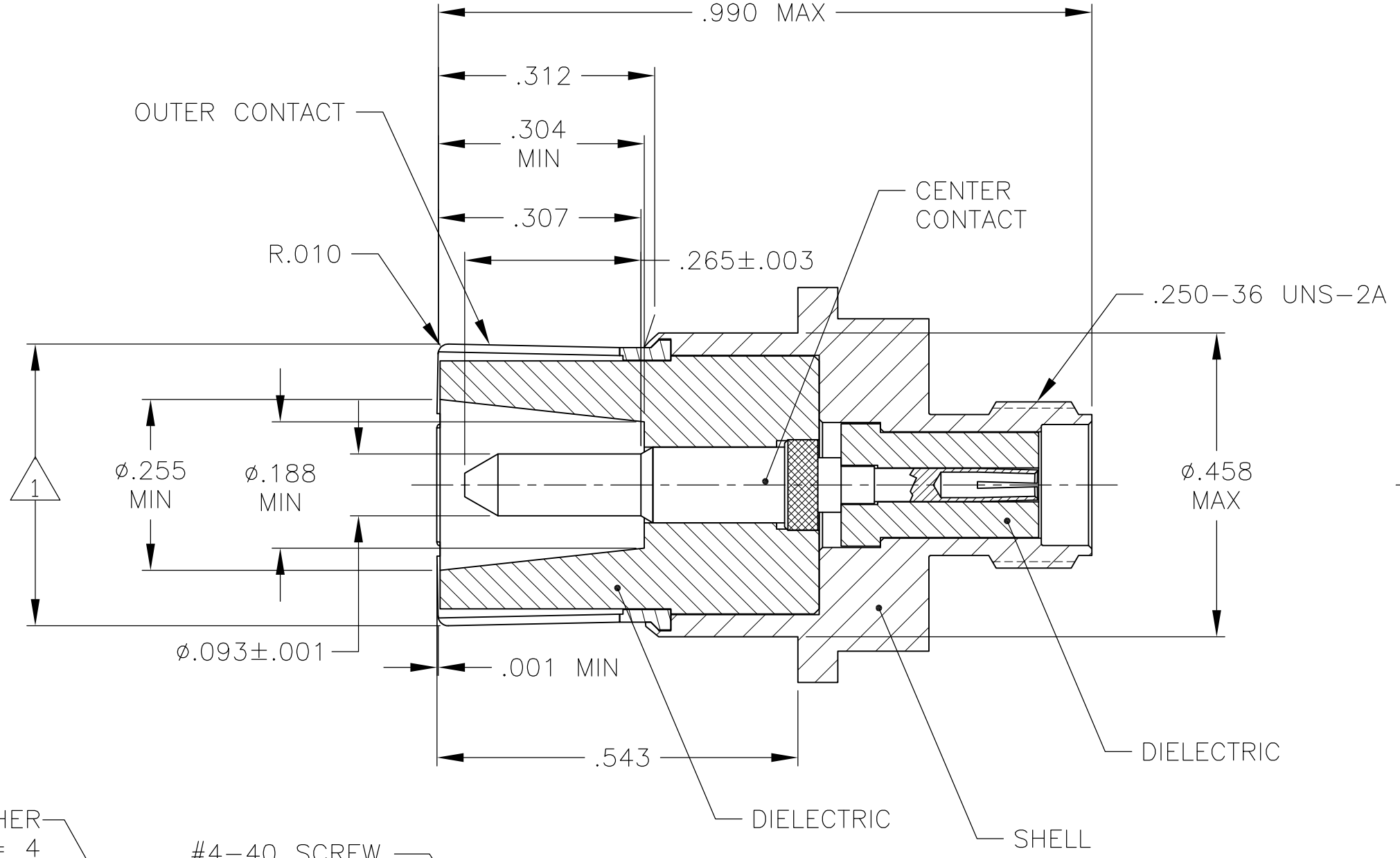


| THIS DRAWING IS UNPUBLISHED.                                    |   | RELEASED FOR PUBLICATION                            |  |
|---|---|---|--|
| COPYRIGHT BY TYCO ELECTRONICS CORPORATION. ALL RIGHTS RESERVED. |   |   |  |
| COMPONENT   | MATERIAL                                    | FINISH  |  |
| SHELL   | STAINLESS STEEL PER ASTM-A-582 TYPE 303     | PASSIVATED PER QQ-P-35                              |  |
| DIELECTRIC  | PTFE FLUORCARBON PER ASTM-D-1710            | -   |  |
| CENTER CONTACT  | BERYLLIUM COPPER PER ASTM-B-196             | GOLD PLATED PER ASTM-B-488 OVER NICKEL PER QQ-N-290 |  |
| OUTER CONTACT   | BERYLLIUM COPPER PER ASTM-B-196             | GOLD PLATED PER ASTM-B-488 OVER NICKEL PER QQ-N-290 |  |
| RETAINER PLATE  | ALUMINUM ALLOY PER ASTM-B-211 OR ASTM-B-209 | ELECTROLESS NICKEL PER MIL-C-26074                  |  |
| SCREW LOCKWASHER  | STAINLESS STEEL PER ASTM-A-582 TYPE 303     | PASSIVATED  |  |

- 1 FLARE TO MEET OUTER CONTACT GAGE TEST PER MIL-C-39012/15
- 2 1757180-2 INCLUDES A RETAINER PLATE AND 4 SCREWS & LOCKWASHERS IN A SEPARATE CONTAINER.

| LOC | DIST | REVISIONS |     |                       |         |     |      |
|-----|------|-----------|-----|-----------------------|---------|-----|------|
| DF  | A0   | P         | LTR | DESCRIPTION           | DATE    | DWN | APVD |
|     |      | A         |     | REV PER ECO-07-029503 | 20DEC07 | PY  | KT   |



|         |           |
|---------|-----------|
| 2       | 1757180-2 |
| -       | 1757180-1 |
| REMARKS | PART NO.  |

|  |  |        |              |   |   |            |               |
|--|--|--------|--------------|---|---|------------|---------------|
| THIS DRAWING IS A CONTROLLED DOCUMENT.   |  | DWN    | C.C.THOMAS   | 9-2-04  | Tyco Electronics Corporation<br>Harrisburg, Pa 17105-3608 |            |               |
| DIMENSIONS: INCHES   |  | CHK    | S.GLATFELTER | 9-2-04  |   |            |               |
| TOLERANCES UNLESS OTHERWISE SPECIFIED:   |  | APVD   | S.GLATFELTER | 9-2-04  |   |            |               |
| 0 PLC ± -<br>1 PLC ± -<br>2 PLC ± -<br>3 PLC ± .005<br>4 PLC ± -<br>ANGLES ± -<br>FINISH - |  | NAME   |              | PIN CONTACT ASSY, SIZE 1, COAX SMA ADAPTER, ARINC 600 |   |            |               |
| MATERIAL   |  | WEIGHT |              | SIZE  | CAGE CODE   | DRAWING NO | RESTRICTED TO |
| -  |  | -      |              | A2  | 00779   | C=1757180  | -             |
| CUSTOMER DRAWING   |  |        |              | SCALE   | 5:1   | SHEET      | 1 OF 1        |
|  |  |        |              | REV   | A   |            |               |