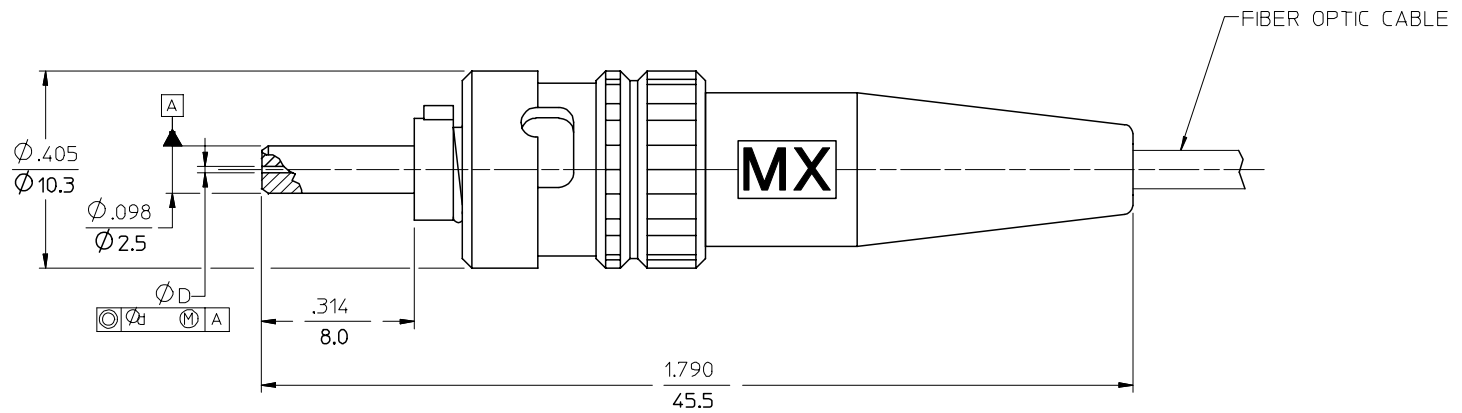


CONNECTOR P/N	ϕD (mm)	ϕd (mm)	MATERIAL of FERRULE	BOOT COLOR	CABLE TYPE
106010-0100	127.0 $\begin{smallmatrix} +3.0 \\ 0 \end{smallmatrix}$	5.0	Zr PLUS	BLACK	MULTIMODE
106010-0110*				RED	
106010-0140					
106010-0160*	125.5 $\begin{smallmatrix} +1.0 \\ 0 \end{smallmatrix}$	1.0	Zr		SINGLE MODE
106010-2100				BLUE	
106010-3110	128.0 $\begin{smallmatrix} +2.0 \\ 0 \end{smallmatrix}$	3.0	Zr	BLACK	MULTIMODE
106010-3100				YELLOW	SINGLE MODE
106010-5100	126.0 $\begin{smallmatrix} +1.0 \\ 0 \end{smallmatrix}$	1.0	Zr		SINGLE MODE
106010-5130					



NOTES:

1. DUST CAP NOT SHOWN BUT INCLUDED.

*2. P/Ns 106010-0110 AND 106010-0160 ARE BULK PACKED IN QUANTITIES OF 100 PCS.

ENTER DESCRIPTION	QUALITY SYMBOLS
EC NO: MF2006-0490	$\nabla=0$
DRWN:RPACIF1C1	$\nabla=0$
CHKD: 2006/02/09	
APPR:IGUMIN	
2006/02/09	
DESCRIPTION	
REV	

GENERAL TOLERANCES (UNLESS SPECIFIED)	
mm	INCH
4 PLACES ±---	±---
3 PLACES ±---	±---
2 PLACES ±---	±---
1 PLACE ±---	±---
ANGULAR ±1/2°	
DRAFT WHERE APPLICABLE MUST REMAIN WITHIN DIMENSIONS	

DIMENSION STYLE	
IN/MM	
DRAWN BY	DATE
RPACIF1C1	2006/01/24
CHECKED BY	DATE
APPROVED BY	DATE
MATERIAL NO.	DOCUMENT NO.
SEE TABLE	SD-106010-X1X0
SIZE	
B	

SCALE	DESIGN UNITS	THIRD ANGLE PROJECTION
5:1	INCH	
TITLE		
ST CONNECTOR 1.6MM AND 2.0MM CABLE		
MOLEX INCORPORATED		
MATERIAL NO.		SHEET NO.
SEE TABLE		1 OF 1
THIS DRAWING CONTAINS INFORMATION THAT IS PROPRIETARY TO MOLEX INCORPORATED AND SHOULD NOT BE USED WITHOUT WRITTEN PERMISSION		