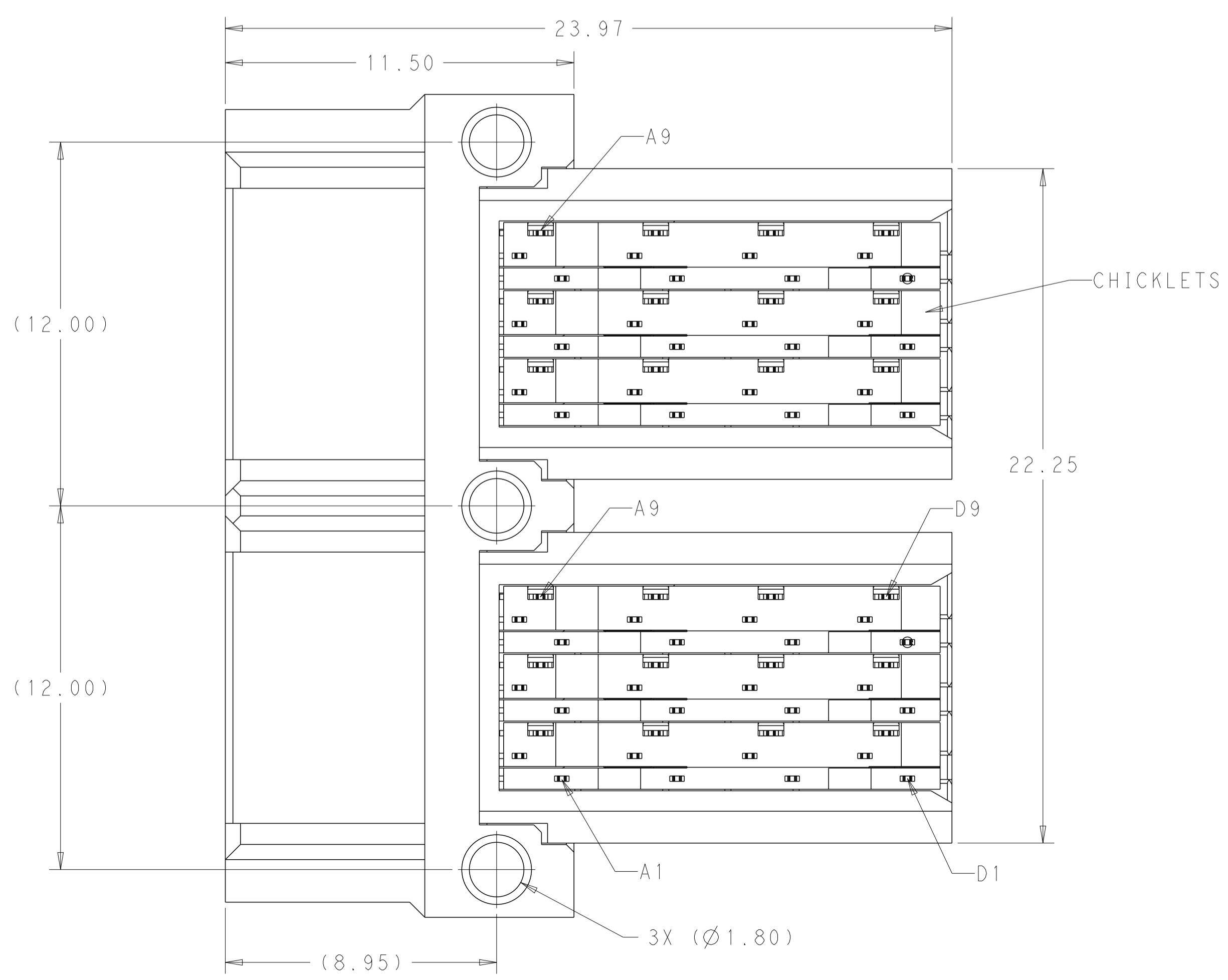
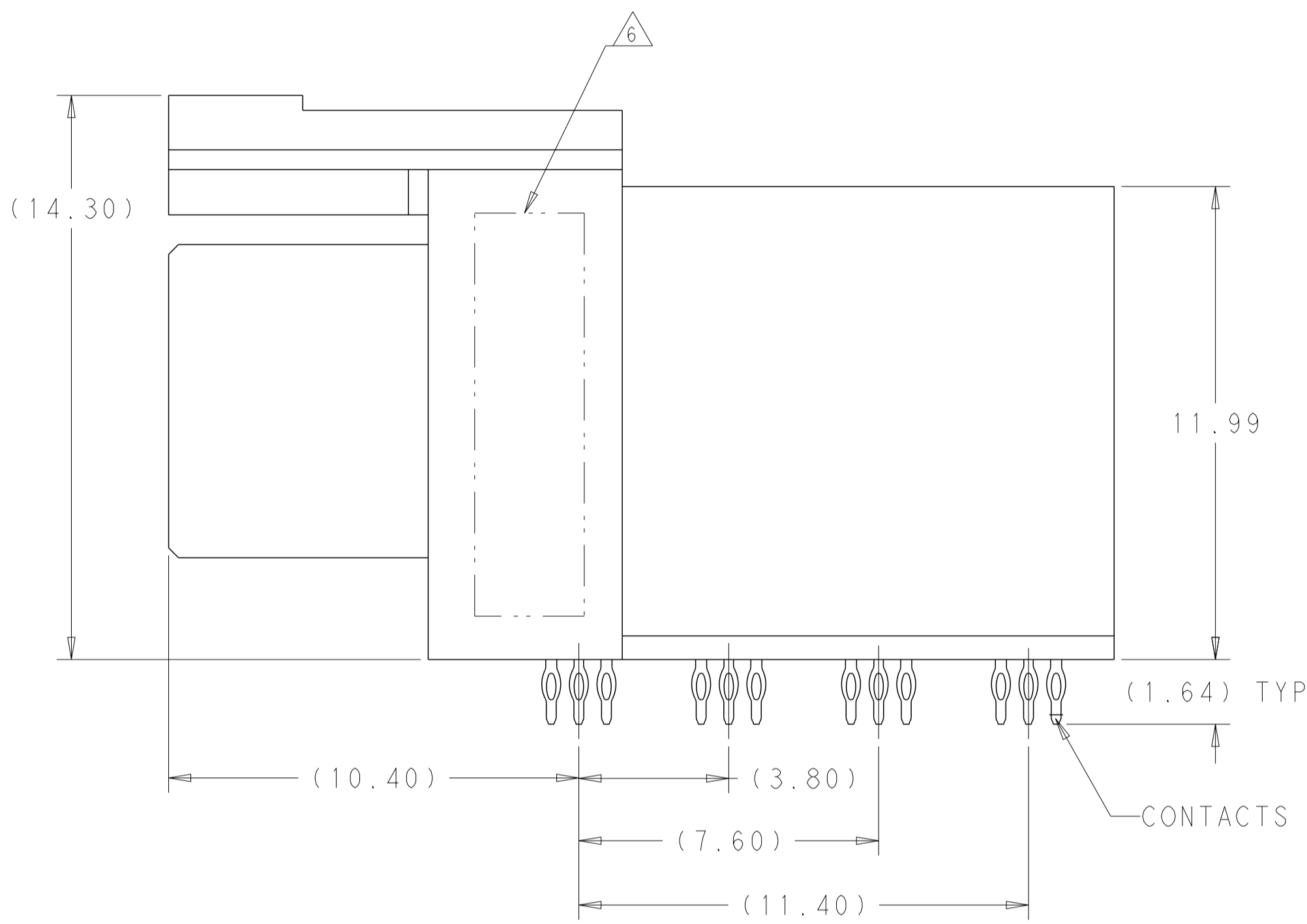
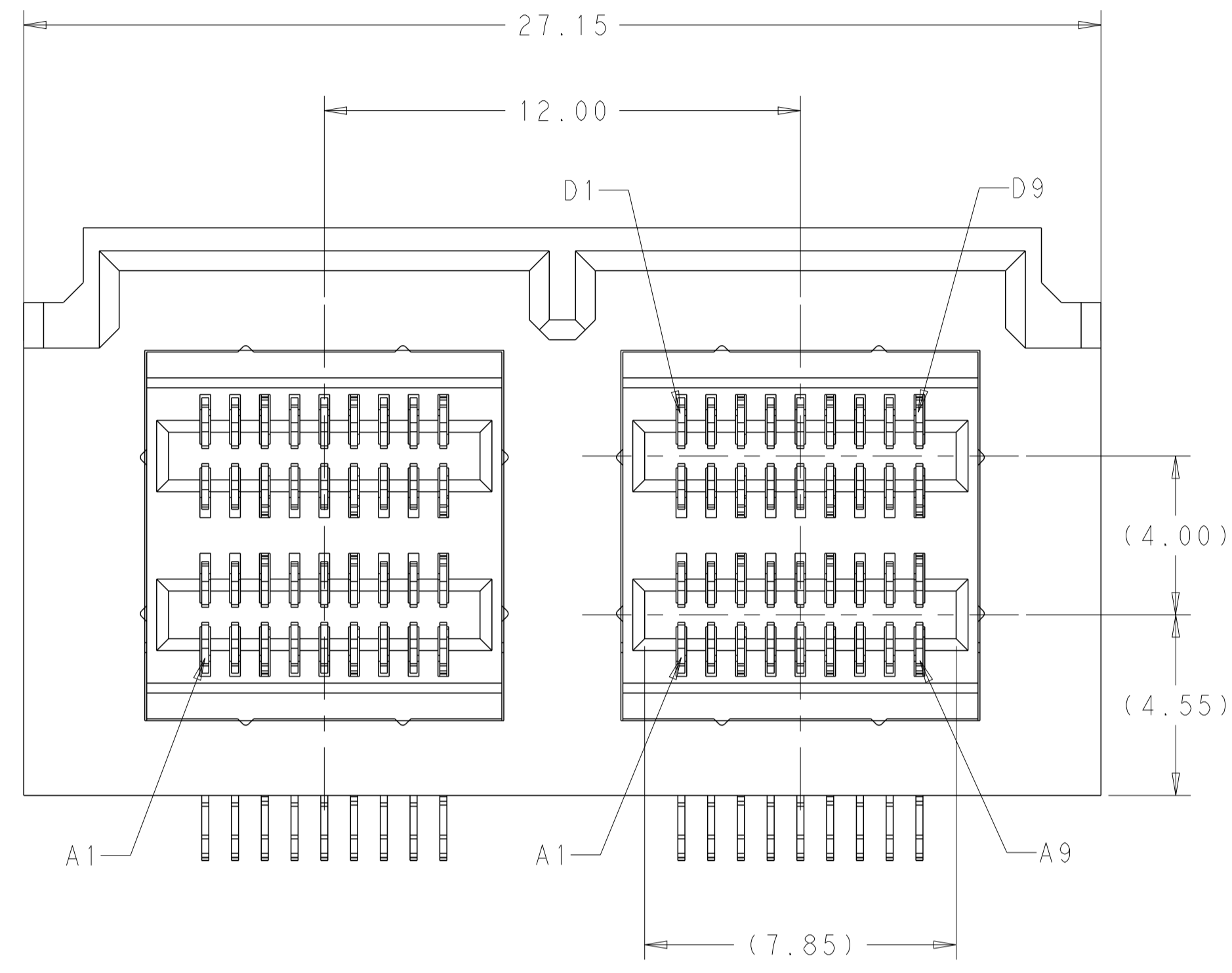
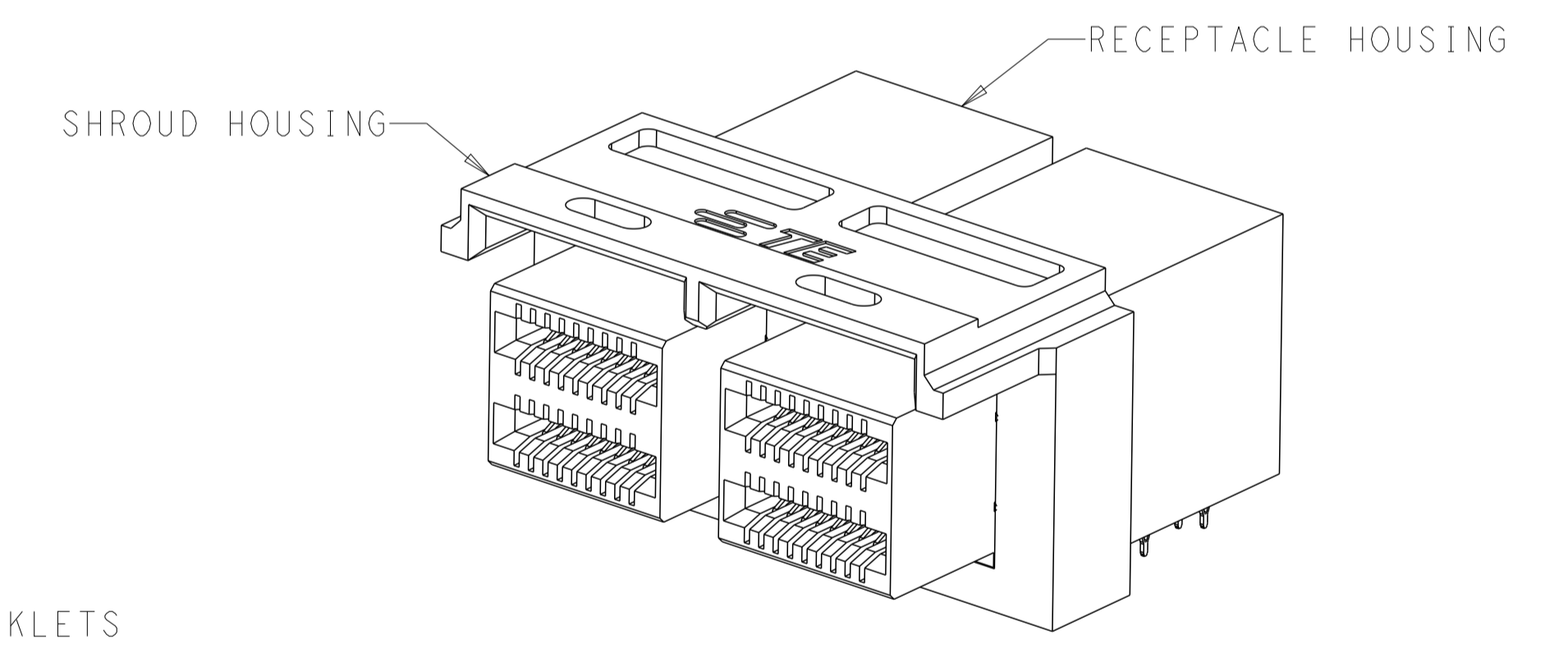


LOC		DIST		REVISIONS			
P	LTN	DESCRIPTION	DATE	DMN	APVD		
A		REVISED PER ECO-15-000199	13JAN2015	AP	DG		



- ⚠ MATERIALS
 HOUSINGS AND CHICKLETS: LCP, BLACK, UL94V-0 RATED
 CONTACTS: COPPER ALLOY
- ⚠ CONTACT FINISH: CONFORMS TO THE REQUIREMENTS OF TE PRODUCT SPECIFICATION, 108-32038. BASED ON EIA/ECA-364-1000.01A. (CONTROLLED ENVIRONMENT APPLICATIONS) ON MATING END. TIN PLATED ON PCB TAIL
- 3. MATES WITH TE PLUG 2227603-1
- 4. MOUNTING HARDWARE M2x1.35 SELF-THREADING SCREW
 SCREW LENGTH OF FASTENER = PCB THICKNESS + 3.0mm MAX (1.75mm MIN)
 MOUNTING HARDWARE NOT INCLUDED
- ⚠ 5. RECOMMENDED COMPONENT KEEP OUT ZONE.
- ⚠ 6. PART NUMBER AND DATE CODE MARKED IN APPROXIMATE AREA SHOWN ON OPPOSITE SIDE.

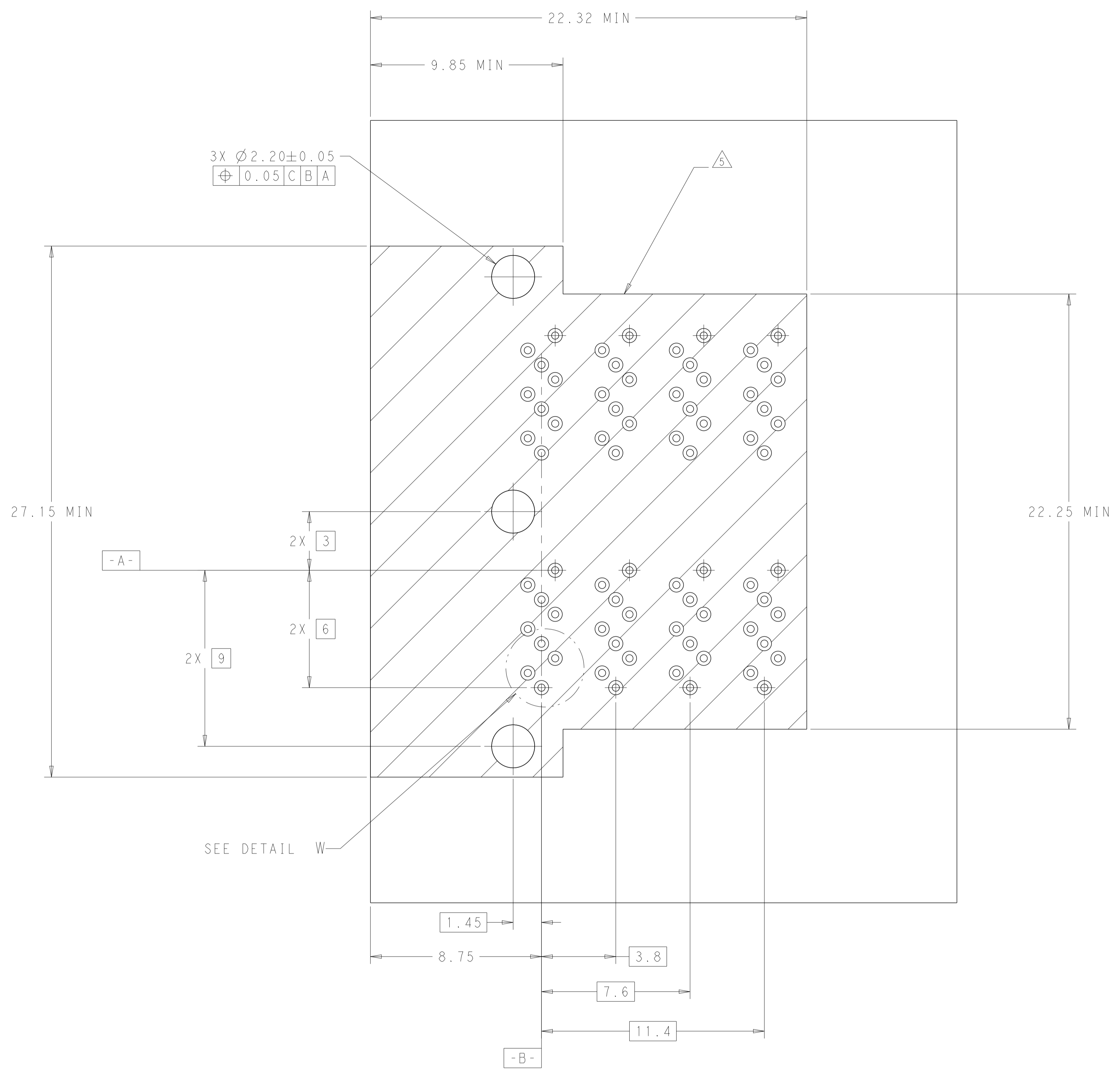


SCALE 4:1

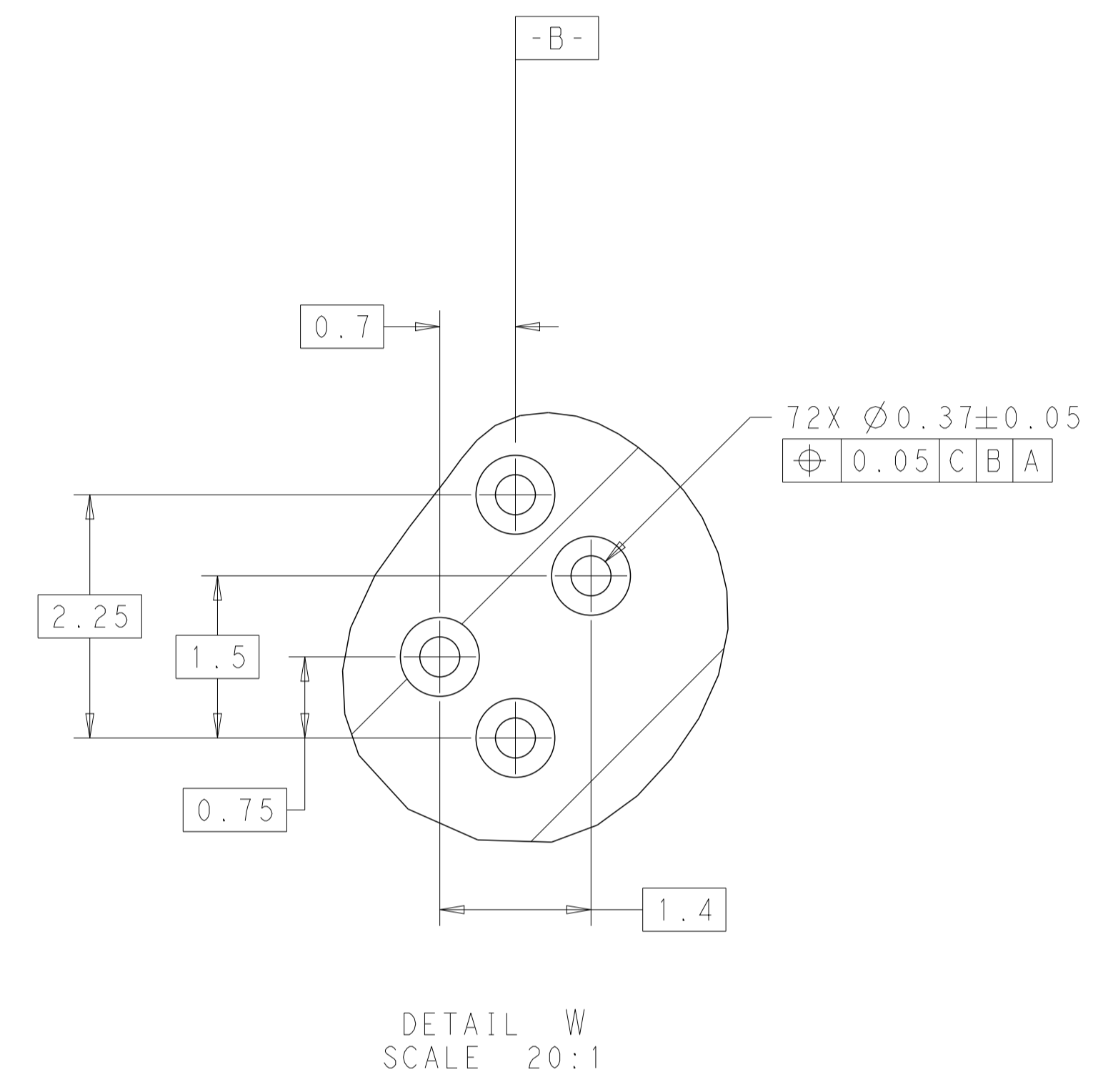
2227581-1
 PART NUMBER

THIS DRAWING IS A CONTROLLED DOCUMENT.		DMN R. IREA 19DEC2012	NAME RECEPTACLE ASSEMBLY, 1X2, RIGHT ANGLE, INTERNAL MINI-SAS HD	
DIMENSIONS:		CHK R. HENRY 19DEC2012	PRODUCT SPEC 108-32038	
TOLERANCES UNLESS OTHERWISE SPECIFIED:		APVD	APPLICATION SPEC	
mm	0 PLC ±	SIZE 114-32101	RESTRICTED TO	
	1 PLC ±0.13	WEIGHT	A1 00779 ©=2227581	
	3 PLC ±	CAGE CODE	SCALE 8:1 SHEET 1 OF 2 REV A	
	4 PLC ±	Customer Drawing		
	ANGLES ±			
MATERIAL	FINISH			

LOC	DIST	REVISIONS			
P	LTN	DESCRIPTION	DATE	DWN	APVD
-	-	SEE SHEET 1	-	-	-



RECOMMENDED PCB LAYOUT
 SCALE 8:1



THIS DRAWING IS A CONTROLLED DOCUMENT.		DWN R. IREA 19DEC2012	TE Connectivity
DIMENSIONS: mm		CHK R. HENRY 19DEC2012	
TOLERANCES UNLESS OTHERWISE SPECIFIED: 0 PLC ± 1 PLC ± 2 PLC ±0.13 3 PLC ± 4 PLC ± ANGLES ± FINISH ±		APVD -	NAME RECEPTACLE ASSEMBLY, 1X2, RIGHT ANGLE, INTERNAL MINI-SAS HD
MATERIAL -		PRODUCT SPEC 108-32038	RESTRICTED TO
		APPLICATION SPEC 114-32101	SIZE CAGE CODE DRAWING NO A100779C=2227581
		WEIGHT -	SCALE 8:1 SHEET 2 OF 2 REV A
		Customer Drawing	