

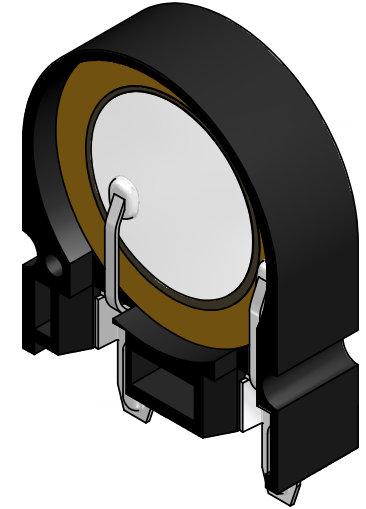
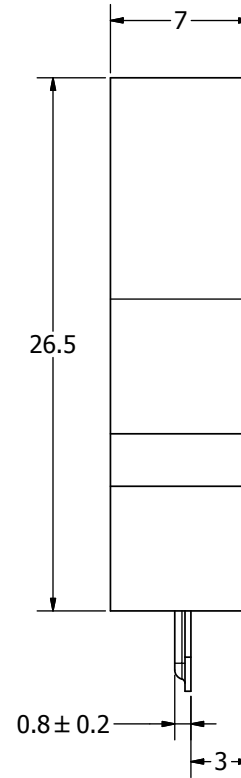
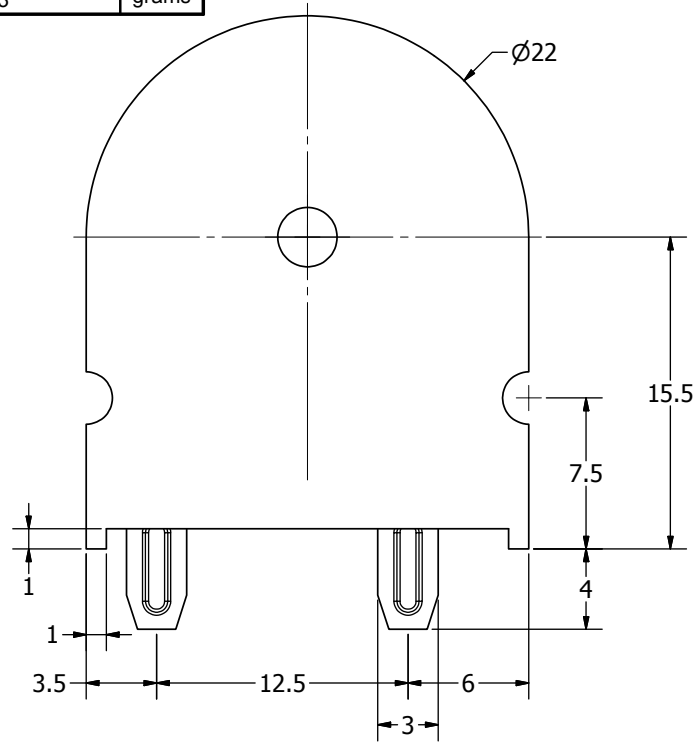
SPECIFICATIONS

PARAMETERS	VALUES	UNIT
RATED VOLTAGE	3	Vp-p
OPERATING VOLTAGE RANGE	1 ~ 25	Vp-p
RATED CURRENT (MAX)	1	mA
CAPACITANCE	19,000 ± 30%	pF
MINIMUM SPL @ 10 CM	70	dBA
RESONANT FREQUENCY	2,000 ± 500	Hz
OPERATING TEMPERATURE	-40 ~ +125	°C
STORAGE TEMPERATURE	-40 ~ +125	°C
HOUSING MATERIAL	PBT	-
TERMINAL MATERIAL	Sn PLATED PHOSHOR BRONZE	-
WEIGHT	3	grams

THIS DOCUMENT CONTAINS DATA PROPRIETARY TO PROJECTS UNLIMITED, INC. ANY USE OR REPRODUCTION, IN ANY FORM, WITHOUT PRIOR WRITTEN PERMISSION OF PROJECTS UNLIMITED, INC. IS PROHIBITED.
©2003, Projects Unlimited Inc.


REVISION HISTORY

LTR	DESCRIPTION	DATE	APPROVED
-	RELEASED FROM ENGINEERING	11/02/2004	
A	REMOVED LEAD FREE ADDED RoHS NOTE	8/10/2005	
B	REVISED TO INVENTOR 3-D DRAWING TEMPLATE	8/12/2008	B.R.



NOTES:

1. ALL DIMENSIONS ARE IN MILLIMETERS.
2. SPECIFICATIONS SUBJECT TO CHANGE OR WITHDRAWAL WITHOUT NOTICE.
3. THIS PART IS RoHS 2002/95/EC COMPLIANT.

UNLESS OTHERWISE SPECIFIED: DIMENSIONS ARE IN MILLIMETERS, TOLERANCES ARE ±0.5 AND ANGLES ARE ±3°.	SIZE	Designed by	Date	Checked by	Date	Approved by	Date	Drawn Date
	A3	R.A.C.	11/2/2004			R.W.	11/2/2004	8/12/2008
AT-2720-ST-R.idw		 A Division of Projects Unlimited		AT-2720-ST-R Transducer (Piezo)			Edition	Sheet
					-	1 / 1		