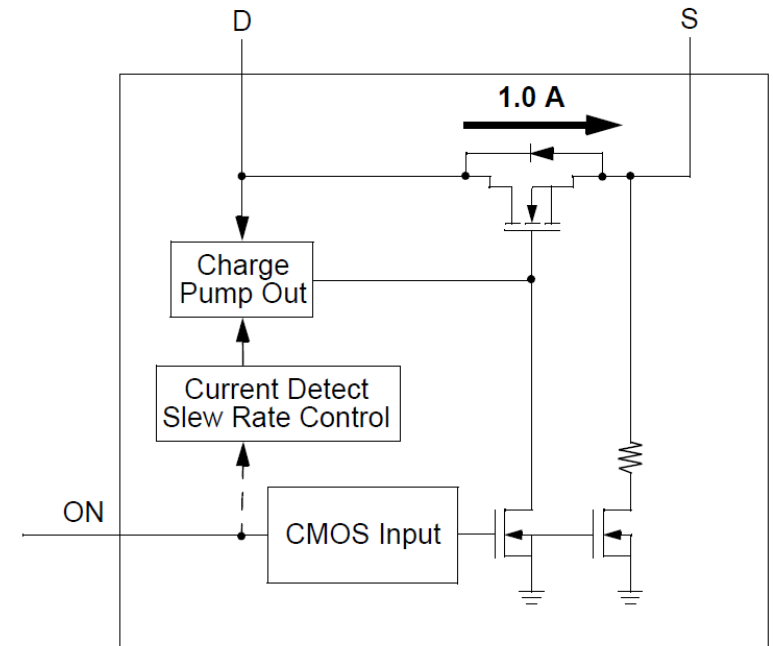


### Content

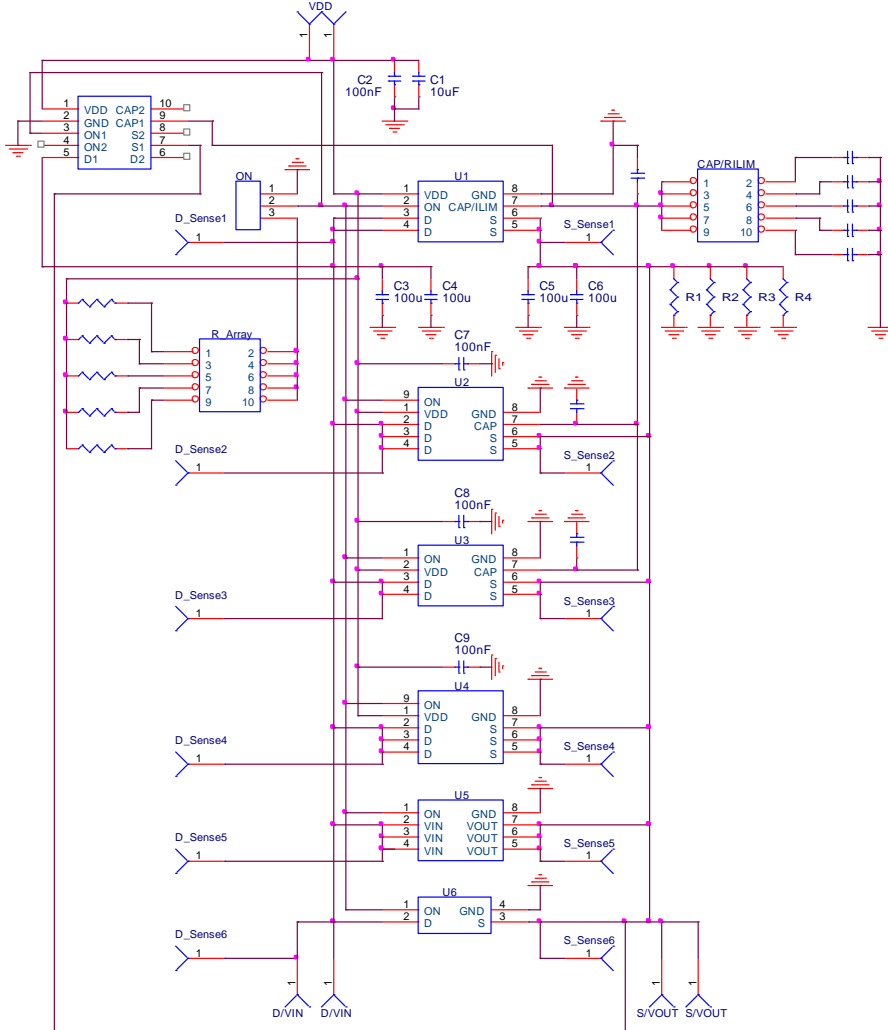
1. Description
2. Power and Ground Planes

### Description

The SLG59M1440V is a 40 mΩ, ~ 1 A single-channel load switch that is able to switch 2.5 V to 5.5 V power rails. The product is packaged in an ultra-small 1.0 x 1.0 mm package.



**Figure 1: SLG59M1440V Block Diagram**

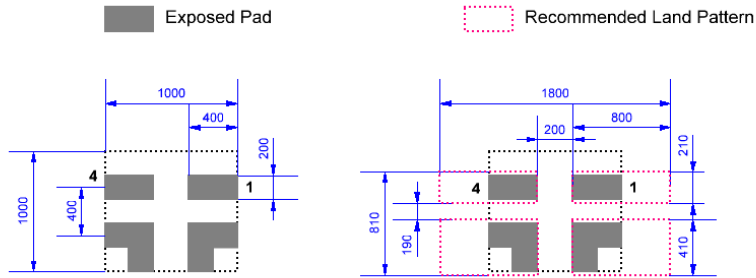


**Figure 4. SLG59M1440V Connection Circuit**

This layout guide provides some important information about the PCB layout of SLG59M1440V applications.

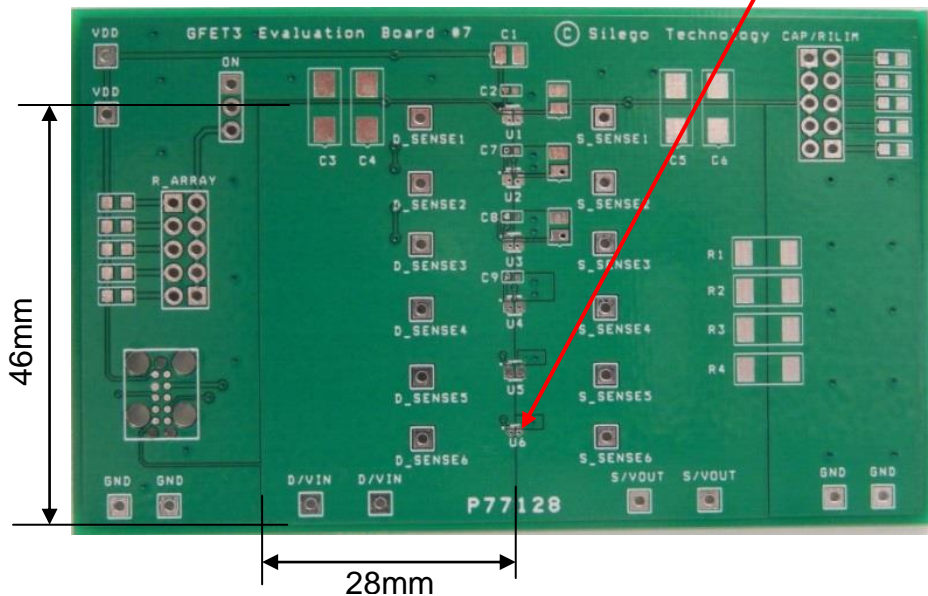
### SILEGO STDFN 1.0x1.0-4L PKG

Unit: um



**Figure 2. SLG59M1440V Package Dimensions and Recommended Land Pattern**

Please solder your SLG59M1440V here



**Figure 3. SLG59M1440V Evaluation Test Board**

Note: Evaluation board has D\_Sense and S\_Sense pads. Please use them only for RDS(ON) evaluation.

## 2. Power and Ground Planes

2.1. The trace length from the control IC to the ON pin (PIN1) should be as short as possible and must avoid crossing this trace with power rails.

2.2. The D/VIN and S/VOUT pins carry significant current. Please note how the D/VIN and S/VOUT pads are placed directly on the power planes in Figure 3, which minimizes the RDS(ON) associated with long, narrow traces. The D/VIN, S/VOUT and GND pins dissipate most of the heat generated during high-load current condition. The layout shown in Figure 3 is illustrating a proper solution for heat to transfer as efficiently as possible out of the device.

2.3. The GND pin (PIN4) should be connected to GND.

2.4. 2 oz. copper is recommended for higher currents.