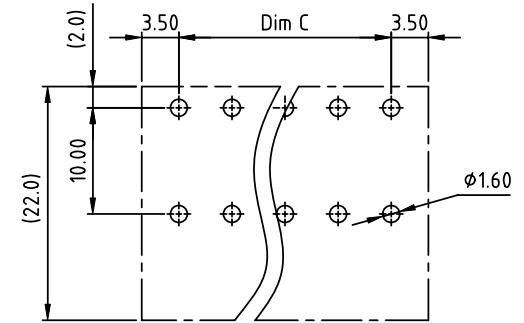
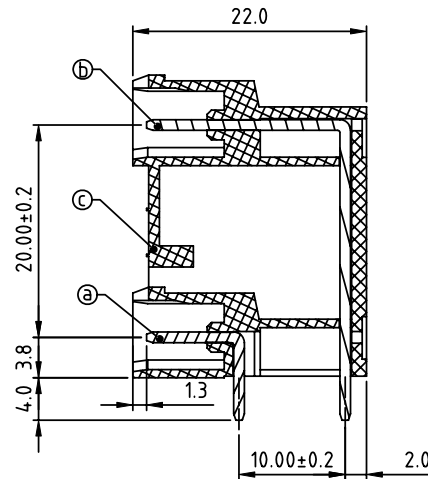
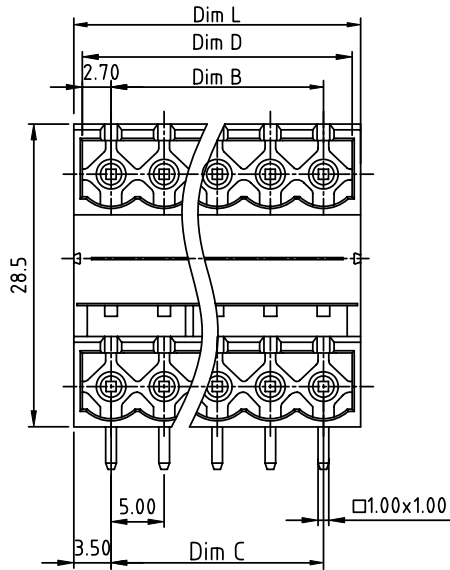
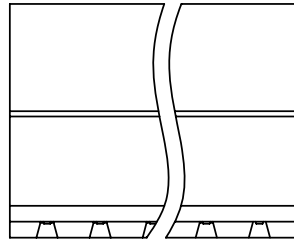


PRODUCT NUMBER	PITCH
VLxx71x100J0G	5.00 mm



RECOMMENDED P.C.B LAYOUT
TOP VIEW

Material:

- Item@ Short pin: Copper Tin plated
- ItemⓅ long pin: Copper Tin plated
- ItemⒸ Terminal(housing): Thermoplastic (UL94 V-0)

Electrical:

- Voltage rating: 300V
- Current rating: 20A
- Withstanding Voltage: 1.6 KV
- Operating temperature: -40°C to +115°C
- Soldering temperature: 260°C±5°C/5 Sec
- Safety Approval:

N=Number of poles
 Dim L=(N/2-1)×5.0+7.0
 Dim B=(N/2-1)×5.0
 Dim C=(N/2-1)×5.0
 Dim D=N/2×5.0+0.4

PART NO.: VL xx 7 1 x 1 00J0 G

		Color	RoHS compliant
Solid block	0	Black (RAL9005)	(lead<4%)
No. of poles	2	Red (RAL3001/D)	In copper Alloy
04	2x2poles	3 Orange(RAL2011/P)	
06	2x3poles	4 Yellow(RAL1018/A)	
...	...	5 Green(RAL6018/T)	
48	2x24poles	6 Blue (RAL5015/A)	
		8 Grey(RAL7035/D)	
		9 White(RAL1102)	
		C Green(RAL6018/U)	

Poles	Tolerance
2×2-2×6p	±0.15
2×7-2×12p	±0.25
2×13-2×18p	±0.35
2×19-2×24p	±0.40

mat'l. code		surface ASME Y14.5	tolerance ASME Y14.5	projection	product family TERMINAL BLOCK		
ltr	ecn no	dr	date		title TERMINAL BLOCK		
tolerances unless otherwise specified				MM	PLUGGABLE SOCKET,RIGHT ANGLE		
angles	⊥	∥		scale	PLUGGABLE SOCKET,RIGHT ANGLE		
		X'±1"	X.±0.5		PLUGGABLE SOCKET,RIGHT ANGLE		
			X.X±0.3		PLUGGABLE SOCKET,RIGHT ANGLE		
			X.XX±0.1		PLUGGABLE SOCKET,RIGHT ANGLE		
dr	EVIN ZHONG	042814			dwg no	sheet 1 of 1	size
enr	EVIN ZHONG	042814			VLxx71x100J0G	A4	
chr	HANKE FENG	042814					
appd	SHI JUN	042814			type	CUSTOMER Drawing	
sheet index	revision	A					
	sheet	1					