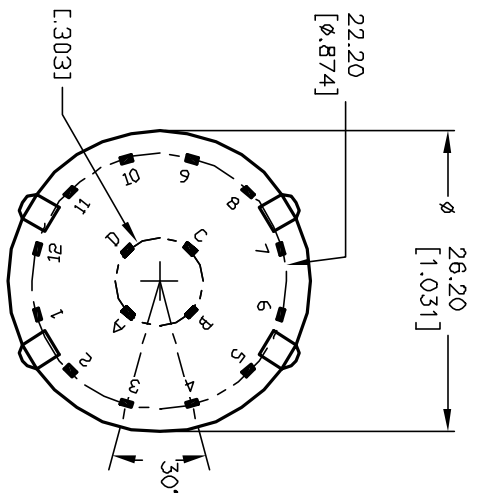
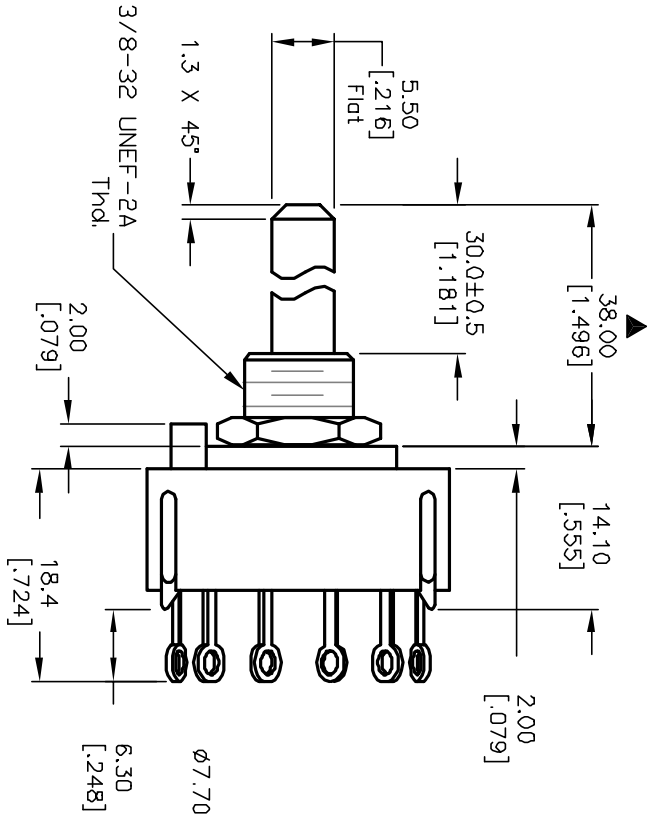
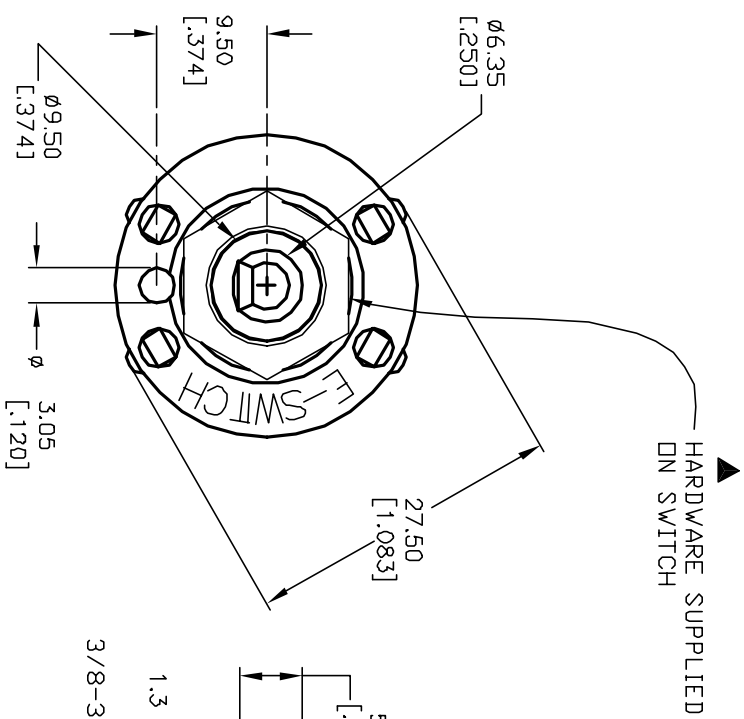
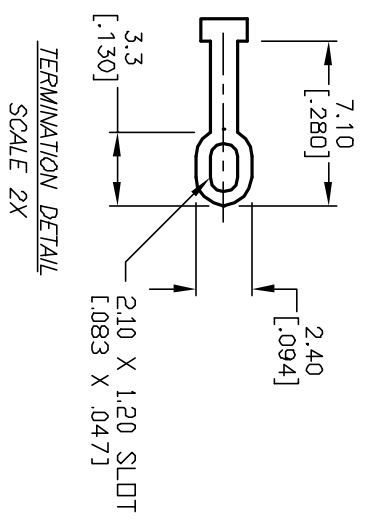
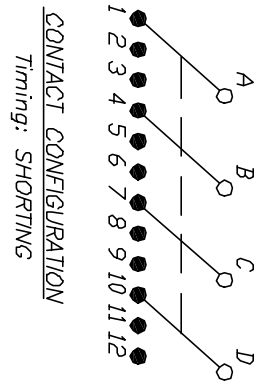


- NOTES:
1. ALL DIMENSION IN MM [INCH]
 2. GENERAL TOLERANCE: X.X=±0.4
X.XX=±0.25
 3. TERM. NOS. FOR REF. ONLY
 4. CONTACT RATING SWITCHING: 150mA, 250V AC/DC
350mA, 110V AC/DC
 5. OPERATING FORCE: 425±100 CM/STANDARD
 6. OPERATING TEMP: -30° to 85°C
 7. CIRCUIT 4 Pole: 3 POSITIONS, 30° INDEX.
 8. DIELECTRIC STRENGTH: 1000V RMS min.@SEA LEVEL.
 9. DESIGNATE MAJOR DIMENSIONS
 10. HARDWARE SUPPLIED ON SWITCH -SEE BELOW
LOCKING RING, LOCKWASHER, & HEX NUT.



E-SWITCH®

TITLE		SCALE		DATE		DR		DWG		REV	
KC43A30.001SLS		1.5:1		3/25/03		AR		G510269		B	
REV. A		ECN No. 12958		RELEASED FOR PRODUCTION		DATE 3/25/03		CHKD AR			
DESCRIPTION											
THE INFORMATION CONTAINED IN THIS DOCUMENT IS PROPRIETARY TO E-SWITCH AND IS NOT TO BE COPIED OR TRANSFERRED											