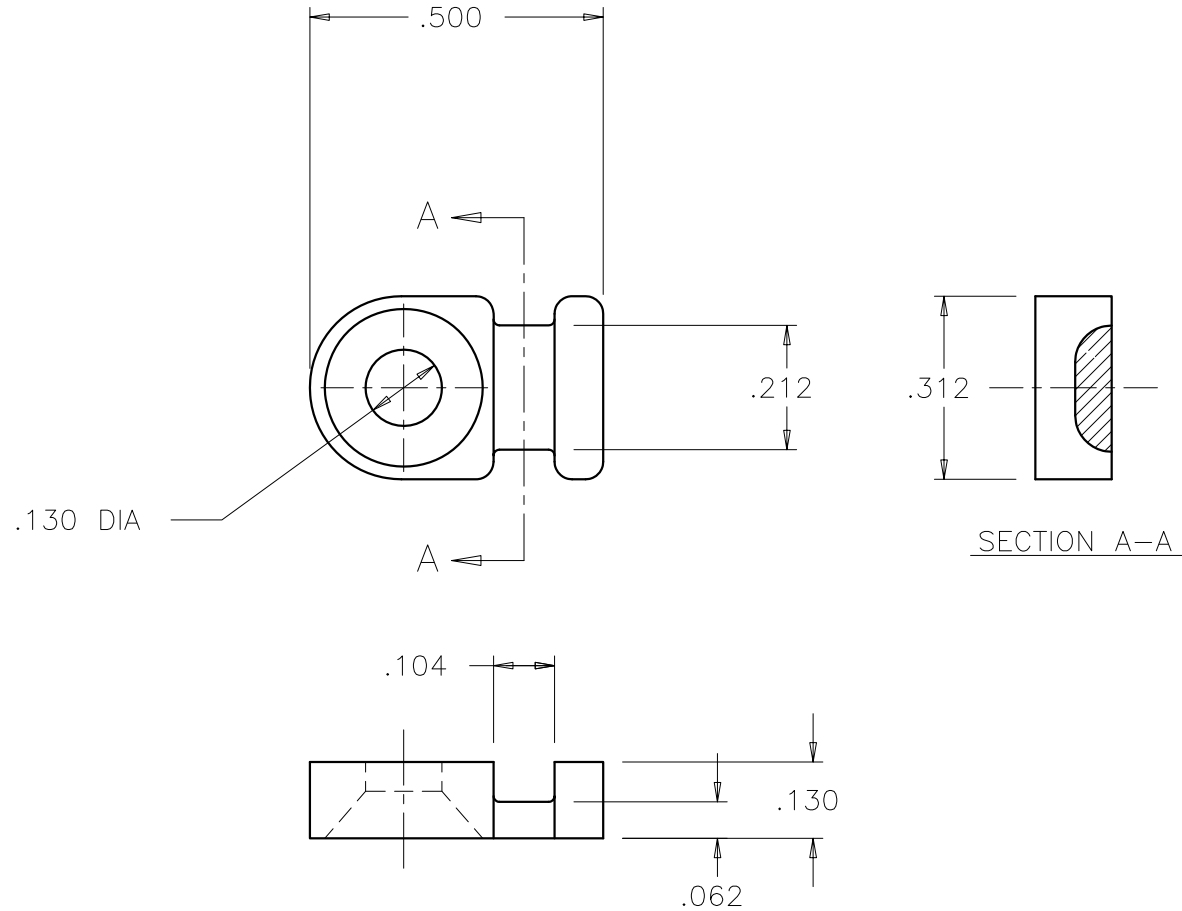


NOTES:

1. MB-1 TO BE USED WITH:
T-18 SERIES TIES
2. FASTENER: #4 SCREW



DRAWING

HellermanTyton

ALL PROPRIETARY RIGHTS IN THE SUBJECT MATTER SHOWN ON THIS DRAWING ARE EXCLUSIVE PROPERTY OF HELLERMANNITYTON

name	date	city, state

REVISION

level	date	by	part level
01	02/04/13	AAC	A

DIMENSIONS

TOLERANCES	units
.XXXX=	inches
.XXX= ± 0.005	
.XX=	
.X=	
$\angle = \pm 1^\circ$	
unless otherwise specified	

PART

number	phase
MB-1	PRODUCTION
name	
MB-1 TIE MOUNT	
material	
PA66	

DRAWING

FORMAT	AH version	CAD	ACAD	scale
				3X
computer file number		previous number		
MT/CST/2005001_00		MT\A2005001		
drawn	checked	approved		
D. RETZLAFF		K.A.C.		
02/20/89	02/04/13			
type			sheet 1 of 1	
CUSTOMER				
number MT2005001CST				