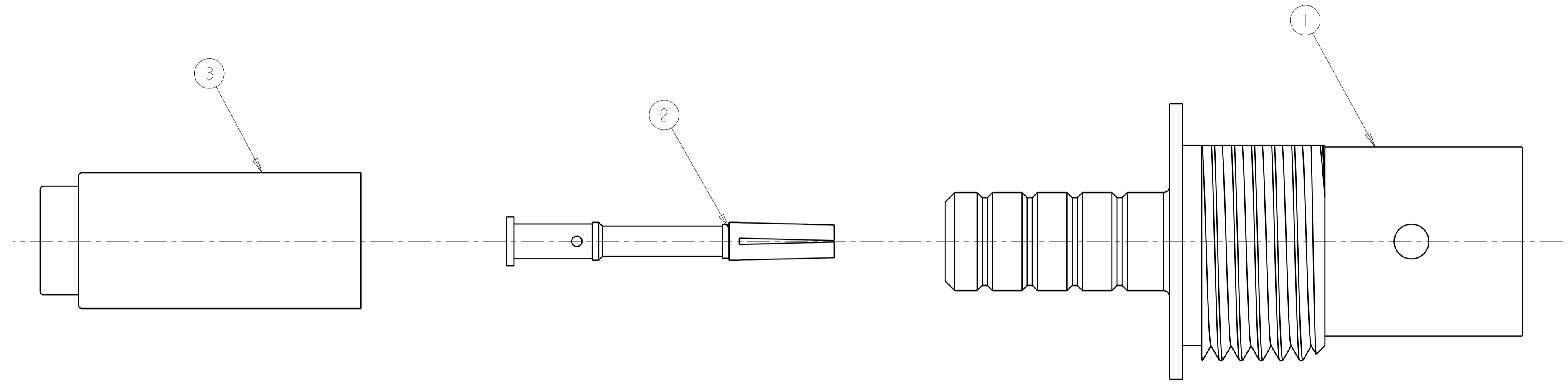
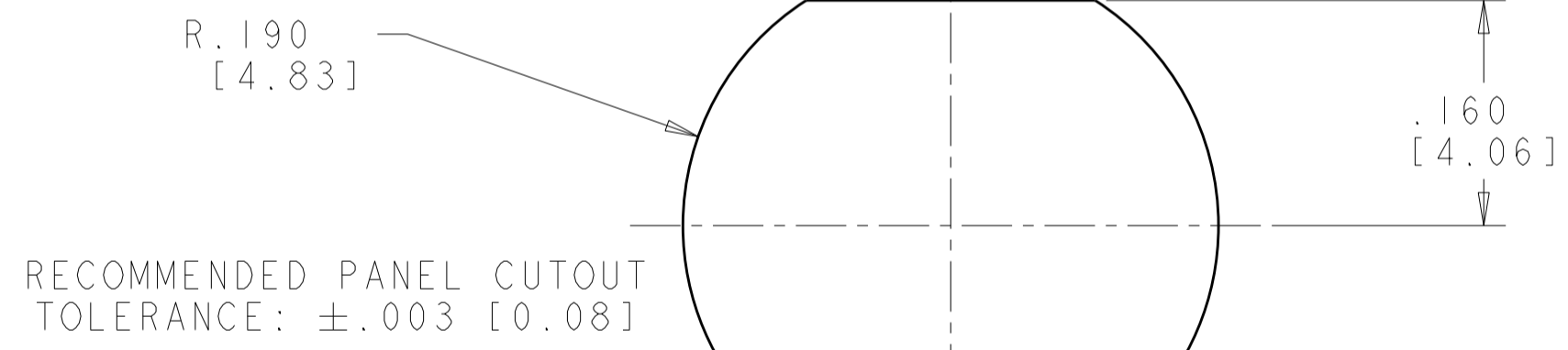


THIS DRAWING IS UNPUBLISHED. RELEASED FOR PUBLICATION 20
 © COPYRIGHT 20 ALL RIGHTS RESERVED.

LOC	DIST	REVISIONS			
P	LTR	DESCRIPTION	DATE	DWN	APVD
AJ	16	E1	REVISED PER ECO-11-005027	12MAY2011	RK HMR



- 1. ITEMS PACKAGED UNASSEMBLED.
- 2. ITEMS 4 AND 5 NOT SHOWN FOR CLARITY.
- 3. SEE SEPARATE CUSTOMER DRAWINGS FOR ITEM DETAILS.
- 4. SEE INSTRUCTION SHEET 408-8871 FOR CABLE TERMINATION DETAILS.



RG179	.042 [1.07]	.178 [4.52]	1-329492-1	2-330249-2	9-413658-0	1274570-9	1274569-3	1274568-3
734A	.042 [1.07]	.255 [6.48]	1-329492-1	2-330249-2	9-221132-3	1274570-6	1274569-2	1274568-2
735A	.042 [1.07]	.178 [4.52]	1-329492-1	2-330249-2	9-413658-2	1274570-3	1274569-1	1274568-1
CABLE	CONTACT CRIMP (SQUARE)	FERRULE CRIMP (HEX)	⑤ LOCKWASHER QTY = 1	④ JAM NUT QTY = 1	③ FERRULE QTY = 1	② CONTACT QTY = 1	① JACK ASSY QTY = 1	PART NUMBER

THIS DRAWING IS A CONTROLLED DOCUMENT.

DWN: K. WEIDNER 02JUN2003	STE TE Connectivity
CHK: G. MICHAEL 3FEB2004	
APVD: K. WEIDNER 3FEB2004	
DIMENSIONS: INCHES [mm]	NAME: BULKHEAD JACK KIT, MINI BNC
TOLERANCES UNLESS OTHERWISE SPECIFIED:	SIZE: -
0 PLC ±-	CAGE CODE: A200779
1 PLC ±-	DRAWING NO: 108-2159
2 PLC ±-	APPLICATION SPEC: -
3 PLC ±.005 [0.13]	WEIGHT: -
4 PLC ±-	SCALE: 8:1
ANGLES ±2	SHEET 1 OF 1
FINISH	REV: E1

CUSTOMER DRAWING